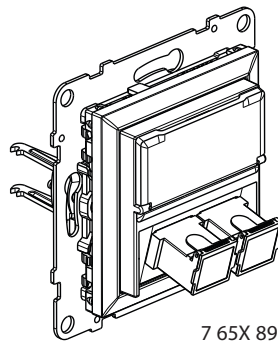


# SEANO™ Fiber optic SC/APC socket

Cat. Nos: 7 65X 89



7 65X 89

## 1. USE

Fibre optic feedthrough sockets are fitted with duplex or double simplex feedthroughs: 2 inputs/2 outputs. They are used for connecting 2 fibres (fitted with their connector). They are supplied with protective caps and fitted with a transparent marker holder.

Number of modules: 2

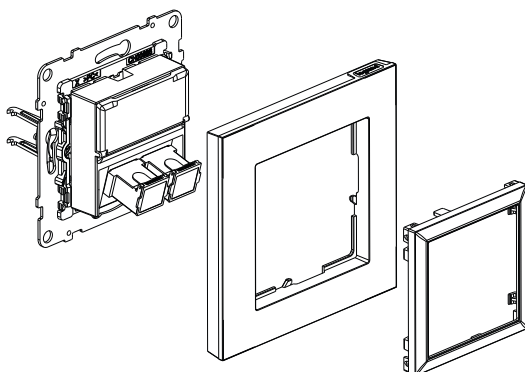
SC/APC connector

- Singlemode APC
- Insertion loss: 0.2 dB
- Endurance (500 insertions): maximum increase of 0.2 dB

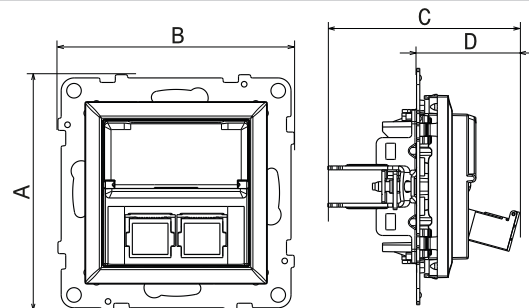
## 2. RANGE

Description	White	Aluminium	Black	Dark Grey
Fiber optic SC/APC sockets	7 651 89	7 652 89	7 653 89	7 654 89

## 3. DISMANTLING



## 4. DIMENSIONS (mm)



Cat. Nos.	A	B	C	D
7 65X 89	72,9	72,9	59	31,8

## 3. TECHNICAL CHARACTERISTICS

### ■ 6.1 Mechanical characteristics

Protection against solid bodies and liquids: IP 21  
 Protection against impacts: IK 04

### ■ 6.2 Material characteristics

**Casing:** Polygloss appearance

**Colour:**

- Molded white RAL 9003
- Painted aluminium RAL9023
- Painted black RAL9017
- Painted dark grey RAL7016

**Material:** - Plate: ABS

- Cover: ABS
- Base: PC
- Zero halogen
- UV resistant

### ■ 6.4 Climate characteristics

Storage and operating temperature: -5°C to +35°C

## 4. CARE

Clean the surface with a cloth.

Do not use acetone, tar-removing cleaning agents or trichloroethylene.

Resistant to the following products: Hexane (EN 60669-1), methylated spirit, soapy water, diluted ammonia, bleach diluted to 10%, window-cleaning products, pre-impregnated wipes.

**Caution:** Always test before using special cleaning products.