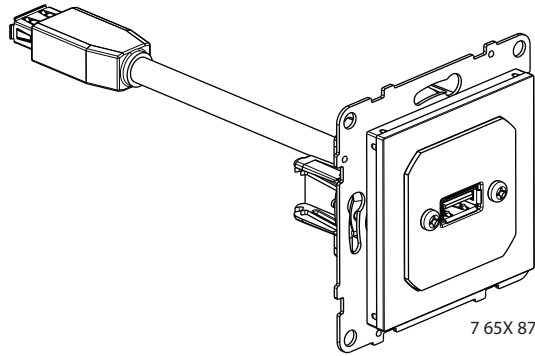


SEANO™
USB socket female preconnected

Cat. No(s): 7 65X 87



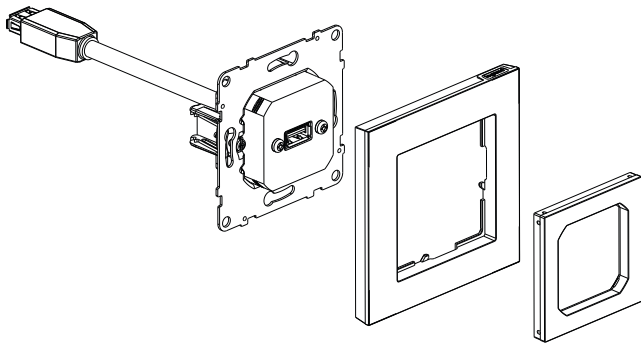
1. USE

Allows the connection of USB devices (printer, scanner, hard drive external).
 Pre-connected - 1 module
 Equipped with a 15 cm cord.

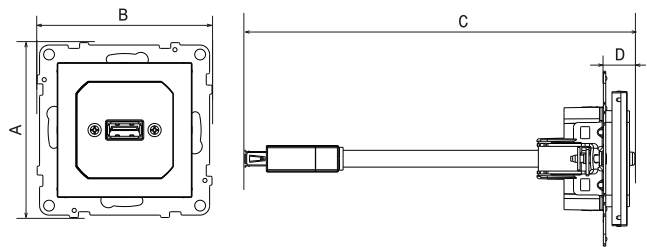
2. RANGE

Description	White	Aluminium	Black	Dark Grey
USB socket female preconnected	7 651 87	7 652 87	7 653 87	7 654 87

3. DISMANTLING



4. DIMENSIONS (mm)



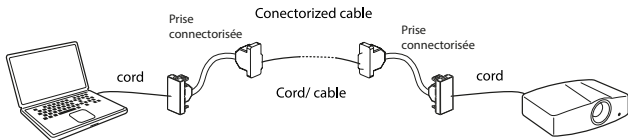
References	A	B	C	D
7 651 18	72,9	72,9	162,6	13,1

5. TECHNICAL CHARACTERISTICS

■ 5.1 Electrical characteristics

Values indicated subject to installation carried out in accordance with the state of the art and connected in compliance with current standards. Additional accessories and cords must meet these same criteria.

Version USB Data 3.0	Theoretical USB data flow	Cable length max	Cord length max	Link total length max	Box depth min
Pre-connected	5 Gb/s	3 m	1 m	5 m	50 mm



■ 5.2 Mechanical characteristics

Impact tests: IK 04

Penetration of solid/liquid bodies: IP 40

■ 5.3 Material characteristics

Plate: ABS

Base: PC

Cover: PC

Halogen-free

UV resistant

Colour:

- Molded white RAL 9003
- Painted aluminium RAL 9023
- Painted black RAL 9017
- Painted dark grey RAL 7016

Self-extinguishing:

850°C/30 s for insulating components holding live parts in place

650°C/30 s for other insulating components

■ 5.4 Climate characteristics

Storage temperature: - 10°C to + 70°C

Operating temperature: - 5°C to + 50°C

6. MAINTENANCE

Surface cleaning with a cloth

Do not use: acetone, tar remover, trichlorethylene.

■ 6.1 Resistance to cleaning agents

Resistance to the following agents:

- Hexane (EN 60669-1)
- Methylated spirits
- Soapy water
- Diluted ammonia
- Diluted pure bleach 10%
- Glass cleaning substance
- Pre-impregnated wipes.

■ 6.2 Resistance to hospital-type cleaning agents

Resistance to the following agents:

- Anios
- Surfanios
- Bactily sine
- Diluted hydrogen peroxide 35%

Caution: A preliminary test should be carried out if other specific cleaning products are to be used.