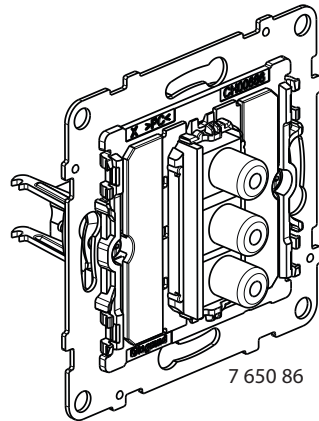


SEANO™
Triple RCA socket

Cat. Nos: 7 650 86



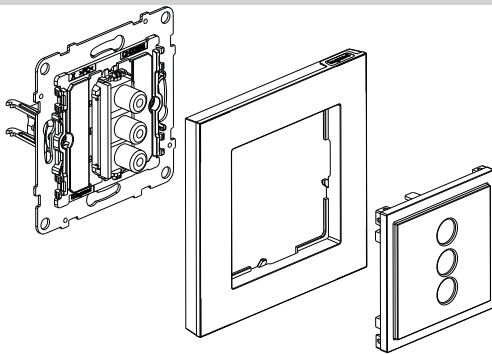
1. USE

RCA socket outlets with 3 terminals for audio and/or video connections.
 Video audio stereo connection of any peripheral, amplifier, mixing console, DVD player, camera, video tape recorder, video conference equipment, etc.

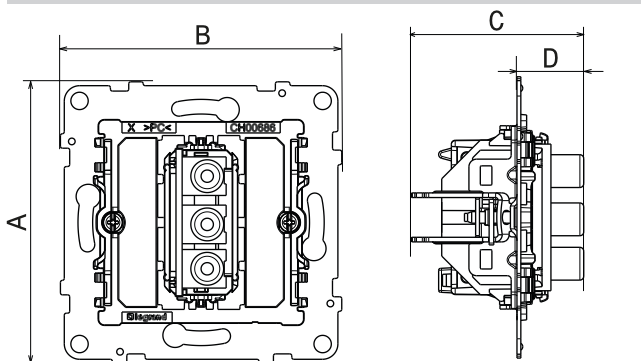
2. RANGE

Description	Mechanism Only
Triple RCA socket	7 650 86

3. DISMANTLING



4. DIMENSIONS (mm)



Cat. Nos.	A	B	C	D
7 650 86	72,9	72,9	44,6	17,3

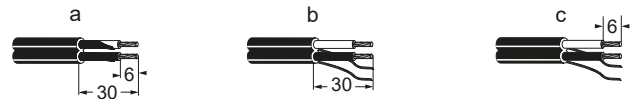
5. CONNECTION

Wide terminal strip taking a max. 1 mm² conductor
 Supplied in a bag containing:
 - 1 Colring tie
 - crimping ferrules for conductor <0.5 mm²
 - thermoformable sheaths

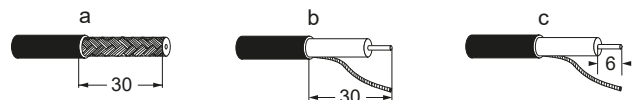
Cable bend radius: 35 mm

stripping

Audio cable
 Shielded cable 2 x 0.22 mm² or 2 x 0.40 mm²
 a- Cable unsheathing length:
 b- Braid length: 30 mm
 Twist the braid
 c- Core stripping length: 6 mm



Video cable
 Recommended video cable: 1 coax 75 Ω.
 a - Cable unsheathing length: 30 mm
 b - Braid length: 30 mm
 Thin out and twist the braid



c - Core stripping length: 6 mm

5. CONNECTON (continued)

Wiring

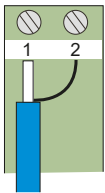
Tools required: flat-blade screwdriver 0.4 x 2.5 mm and flat-nose pliers.

Insulate the 2 braids using the supplied neoprene sleeve, thread them into their supplied respective ferrules and crimp them using the flat-nose pliers.

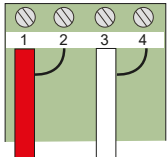
Thread the cores into their respective ferrules and crimp them using the flat-nose pliers.

Hold the cable mechanically using the supplied cable clamp.

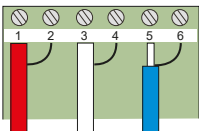
Comply with the following wiring diagrams:



- 1 Blue (VCX) or green (KX6A) video hot spot
- 2 - Video ground



- 1 - Red audio hot spot (right)
- 2 - Red audio ground
- 3 - White audio hot spot (left)
- 4 - White audio ground



- 1 - Red audio hot spot (right)
- 2 - Red audio ground
- 3 - White audio hot spot (left)
- 4 - White audio ground
- 5 - Blue (VCX) or green (KX6A) video hot spot
- 6 - Video ground

6. TECHNICAL CHARACTERISTICS

■ 6.1 Mechanical characteristics

Protection against solid bodies and liquids: IP 40
Protection against impacts: IK 04

■ 6.2 Material characteristics

Casing: Polygloss appearance

Colour:

- Molded white RAL 9003
- Painted aluminium RAL 9023
- Painted black: RAL 9017
- Painted dark grey: RAL7016

Material:

- Plate: ABS
- Base: Polycarbonate
- Cover plate: ABS (RAL9003)
- Zero halogen
- UV resistant

Self-extinguishing: 650 °C /30 s

■ 6.4 Climate characteristics

Storage and operating temperature: -5°C to +35°C

7. CLEANING

Surface cleaning with a cloth.

Do not use: acetone, tar remover, trichloroethylene.

■ 7.1 Resistance to cleaning agents

Resistance to the following agents: - Hexane (EN 60669-1)

- Methylated spirits
- Soapy water
- Diluted ammonia
- Diluted pure bleach 10%
- Glass cleaning substance
- Pre-impregnated wipes.

■ 7.2 Resistance to hospital-type cleaning agents

Resistance to the following agents: - Anios - Surfanios - Bactylisine -

Diluted hydrogen peroxide 35%.

Caution: A preliminary test should be carried out if other specific cleaning products are to be used.