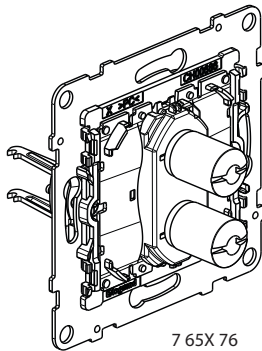


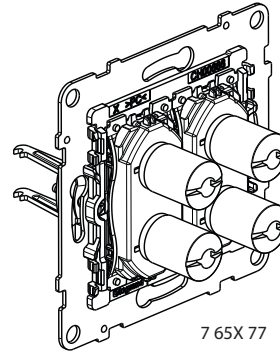
SEANO™

Cat. No(s): 7 65X 76/77

**Banana loud-speaker socket
 Banana double loud-speaker socket**



7 65X 76



7 65X 77

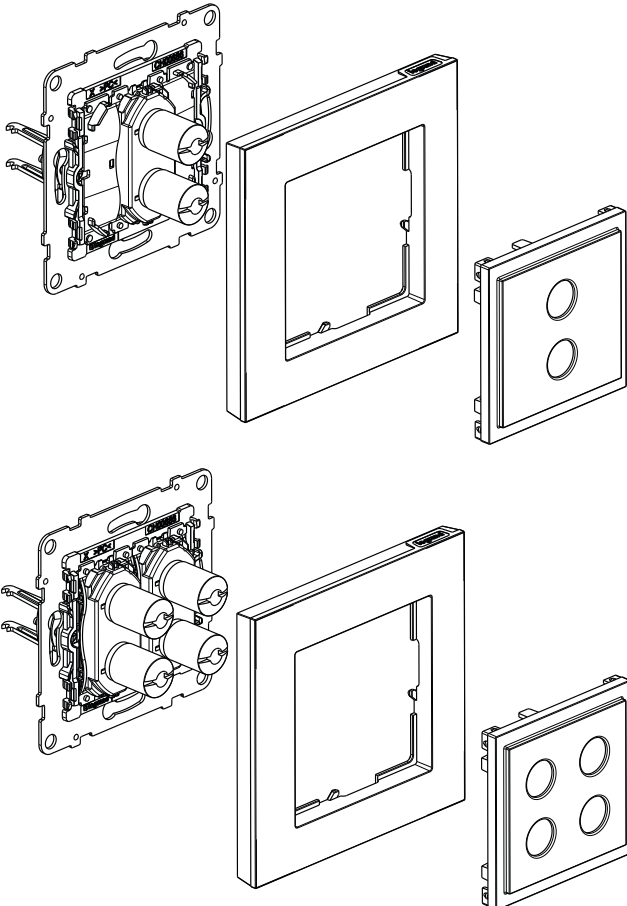
1. USE

For connecting a loud-speaker.

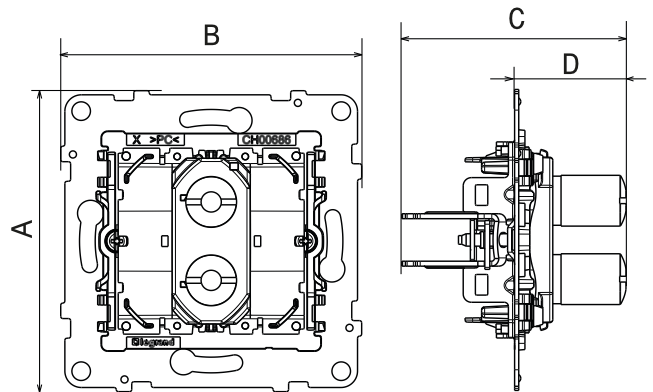
2. RANGE

Description	White	Aluminium	Black	Dark Grey
BANANA LOUDSPEAKER SOCKET	7 651 76	7 652 76	7 653 76	7 654 76
BANANA DOUBLE LOUDSPEAKER SOCKET	7 651 77	7 652 77	7 653 77	7 654 77

3. DISMANTLING



4. DIMENSIONS (mm)



References	A	B	C	D
7 65X 76/77	72,9	72,9	54,2	27

5. CONNECTION

Screw terminals

Capacity:
2 x 6 mm²

Stripping length:
6 mm

Recommended cable: audio cable 2 x 6 mm² max.

Banana loud-speaker socket

Banana double loud-speaker socket

6. TECHNICAL CHARACTERISTICS

■ 6.1 Mechanical characteristics

Protection against solid bodies and liquids: IP 41

Protection against impact: IK 04

■ 6.2 Material characteristics

Polygloss appearance

Colour:

- Molded white: RAL 9003

-Painted aluminium RAL9023

-Painted black RAL9017

-Painted dark grey RAL7016

Material:

-Cover: Polycarbonate

-Base: Polycarbonate

Self-extinguishing: 650°C/30 s

■ 6.3 Climate characteristics

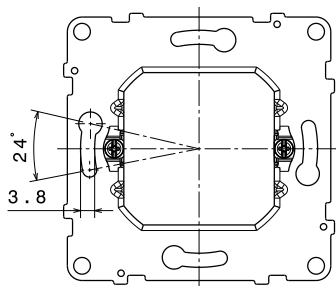
Usage temperature: - 5°C to + 35°C

Storage temperature: - 10°C to + 70°C

■ 6.4 Support

Material of support: -Metal

Angular adjusting:

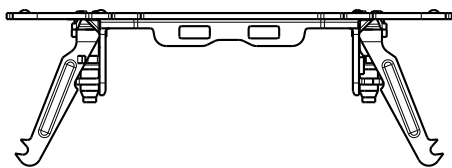


■ 6.5 Fixing with claws

Number of turns to open the claws:

- 58 mm > 2,1 turns

- 65 mm > 2,75 turns



7. MAINTENANCE

Surface cleaning with a cloth.

Do not use:

Acetone, tar remover, trichloroethylene.

Maintenance with the following products:

Hexane (EN 60669-1), Methylated spirit, Soapy water, Diluted ammonia, Bleach diluted to 10%, Window-cleaning products, Pre-impregnated-wipes.

Resistance to hospital-type cleaning agents

Resistance to the following agents: Anios, Surfianos, Bactilycine, Diluted hydrogen peroxide (35%)

Caution: Always test before using other special cleaning products.

8. STANDARDS AND APPROVALS

Compliant with installation and manufacturing standards.

See e-catalogue.