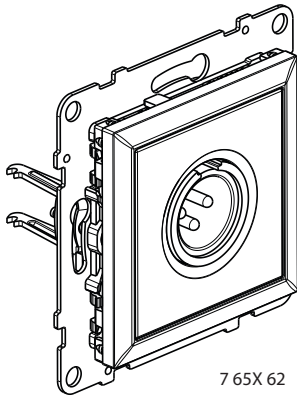
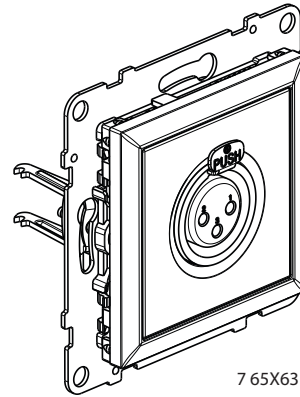


SEANO™
XLR sockets

Cat. Nos: 7 65X 62/63



7 65X 62



7 65X 63

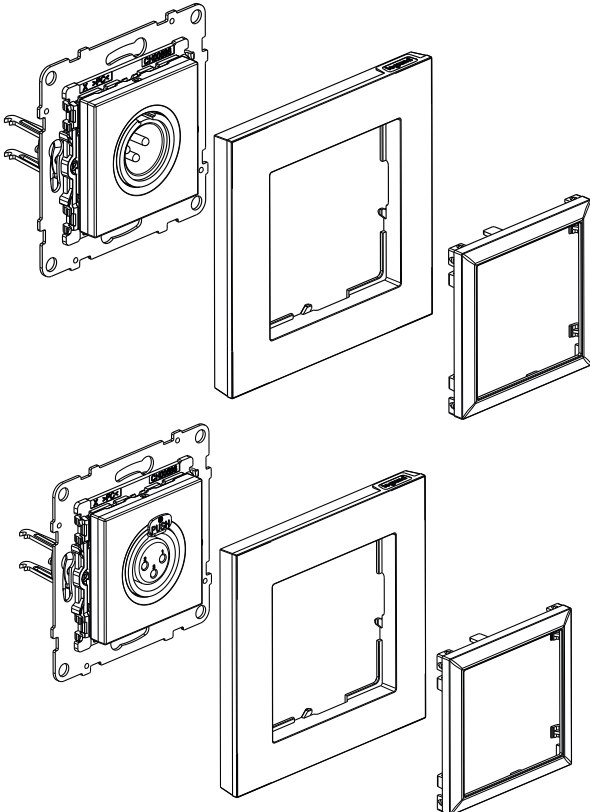
1. USE

Used for connecting a microphone or a remote console to a booster.
 Stereo audio link for any peripheral device, amp, mixing table, DVD player, camera, video recorder, videoconferencing, etc.

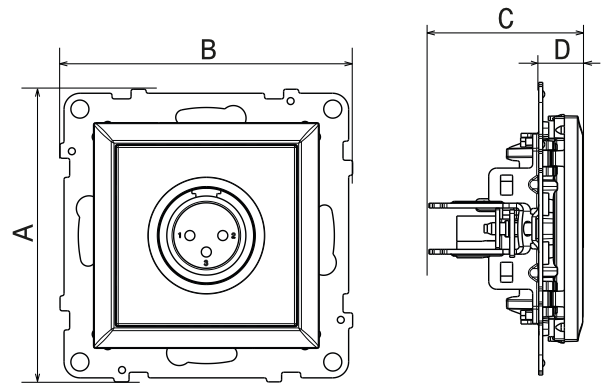
2. RANGE

Description	White	Aluminium	Black	Dark Grey
765x62 - XLR 3-pole male socket	7 651 62	7 652 62	7 653 62	7 654 62
765x63 - XLR 3-pole female socket	7 651 63	7 652 63	7 653 63	7 654 63

3. DISMANTLING



4. DIMENSIONS (mm)



Cat. Nos.	A	B	C	D
7 65X 62	72,9	72,9	38,3	11
7 65X 63	72,9	72,9	41,4	14,1

5. CONNECTION

Wide terminal block which accommodates conductors 1 mm² max.
Supplied in a bag containing:
- 1 Colring cable tie
- crimping ferrules for conductors < 0.5 mm²
- thermoformable sheaths
Cable bending radius: 35 mm

Stripping

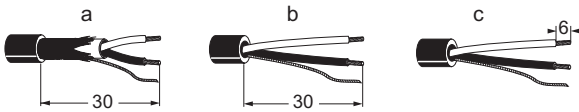
Recommended cable: audio cable 2 x 0.22 mm² to 0.40 mm².

a - Length of sheath to be removed from cable: 30 mm.

Retain the cable general shielding continuity wire

b - Remove the shielding braid and aluminium ribbon

c - Core stripping length: 6 mm.



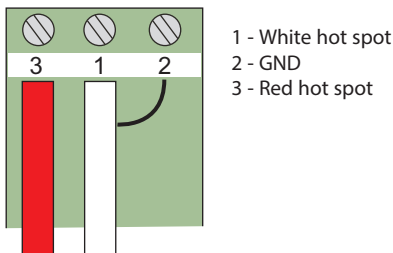
Wiring

Tools required: 0.4 x 2.5 mm flat screwdriver and long nose pliers.
Isolate the continuity wire with the neoprene sleeve provided, push it through the ferrule provided and crimp it with the long nose pliers.
Push the cores through the ferrules provided and crimp them with the long nose pliers.

Start with the continuity wire, then the cores.

Hold the cable in place mechanically with the cable clamp provided.

Comply with the wiring diagram below:



6. TECHNICAL CHARACTERISTICS

■ 6.1 Mechanical characteristics

Protection against solid bodies and liquids: IP 40

Protection against impacts: IK 04

■ 6.2 Material characteristics

Casing: Polygloss appearance

Colour:

- Molded white RAL 9003
- Painted aluminium RAL9023
- Painted black RAL9017
- Painted dark grey RAL7016

Material: - Plate: ABS

- Cover:ABS
- Zero halogen
- UV resistant

■ 6.3 Climate characteristics

Storage and operating temperature: -5°C to +35°C

6. CARE

Clean the surface with a cloth.

Do not use acetone, tar-removing cleaning agents or trichloroethylene.

Resistant to the following products: Hexane (EN 60669-1), methylated spirit, soapy water, diluted ammonia, bleach diluted to 10%, window-cleaning products, pre-impregnated wipes.

Caution: Always test before using special cleaning products.