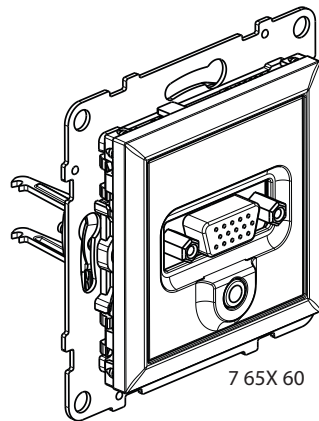


SEANO™ HD15 + 3.5 jack socket

Cat. Nos: 7 65X 60



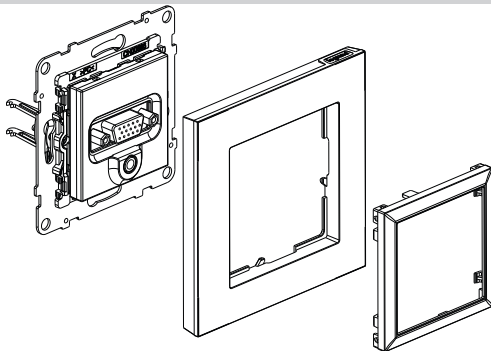
1. USE

Can be used to create full pin (15-pin) VGA links for a PC monitor, plasma screen etc. and audio links from a portable source.

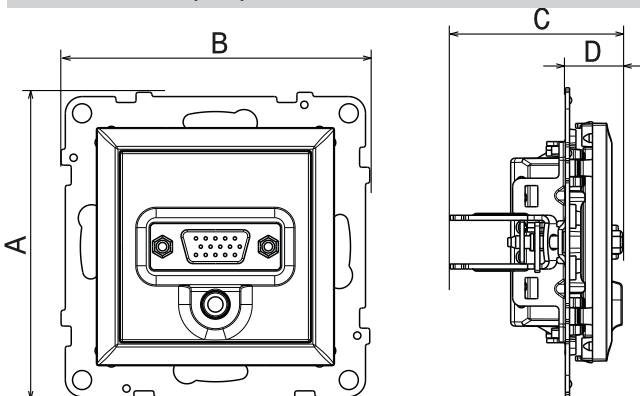
2. RANGE

Description	White	Aluminium	Black	Dark Grey
HD15 + 3.5 mm jack socket	7 651 60	7 652 60	7 653 60	7 654 60

3. DISMANTLING



4. DIMENSIONS (mm)



Cat. Nos.	A	B	C	D
7 65X 60	72,9	72,9	40,8	13,5

4. CONNECTION

Wide terminal block which accommodates conductors 1 mm² max. Supplied in a bag containing:

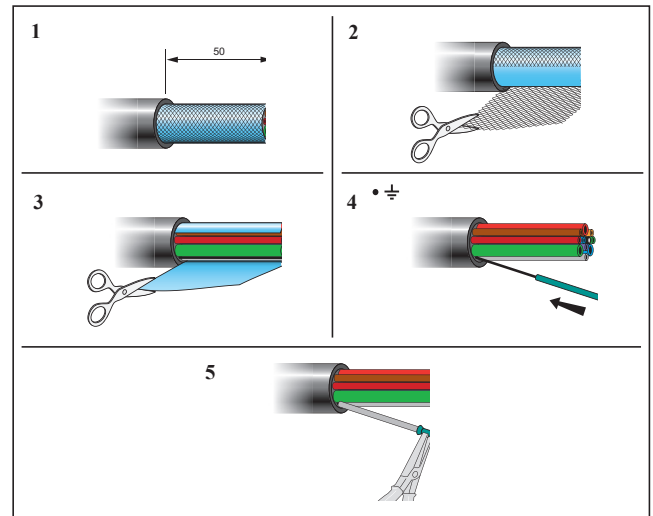
- 1 Colring cable tie
- crimping ferrules for conductors < 0.5 mm²
- thermoformable sheaths

Cable bending radius: 35 mm

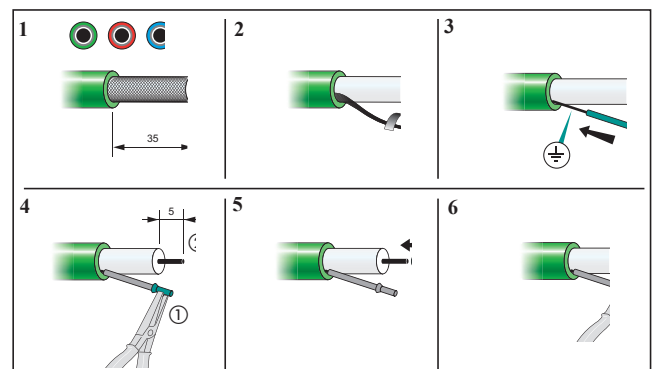
Max. cable length: 20 m (for longer distances, a VGA amplifier is recommended)

a) Stripping cables:

Cords for cutting to length: 5 coax 75 Ω Ø 2.7 + 5 conductors Ø 2.7 26 or 28 gauge.

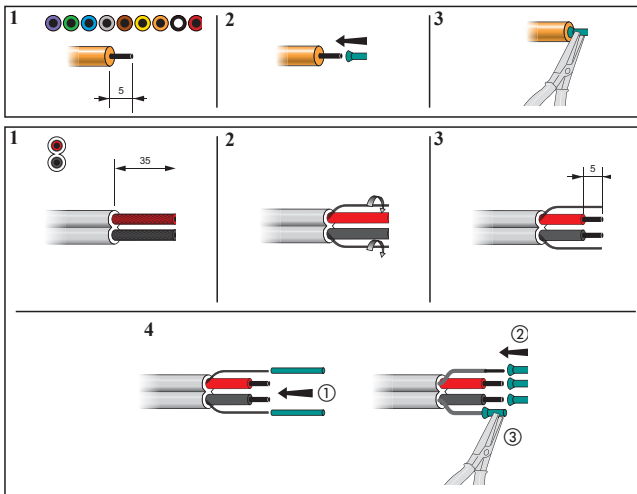


b) Stripping the coax:

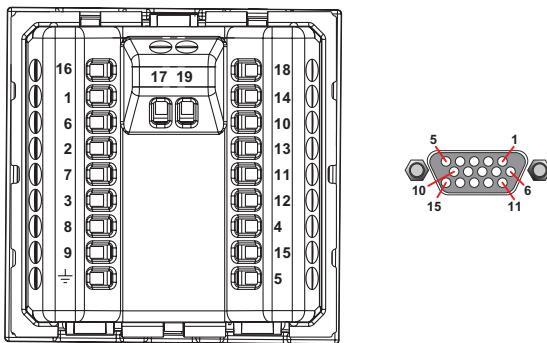


5. Connection (continued)

c) Stripping other wires:



d) Wiring: comply with the wiring diagram below:



Terminal block marker (Connector marker)

VGA FULL PIN

- 1 Red coax (red)
- 6 Red braid (red ground)
- 2 Green coax (green)
- 7 Green braid (green ground)
- 3 Blue coax (blue)
- 8 Blue braid (blue ground)
- 9 Purple
- 14 Green (SV)
- 10 Blue (SH-SV ground)
- 13 Grey (SH)
- 11 Brown (ID Bit 0)
- 12 Yellow (ID Bit 1)
- 4 Orange (ID Bit 2)
- 15 Black (ID Bit 3)
- 5 Red (Gnd)
- ⊕ General ground

VGA RVB SH SV

- 1 Red coax (red)
- 6 Red braid (red ground)
- 2 Green coax (green)
- 7 Green braid (green ground)
- 3 Blue coax (blue)
- 8 Blue braid (blue ground)
- 14 Green (SV)
- 10 Blue (SH-SV ground)
- 13 Grey (SH)
- ⊕ General ground

Jack

- 16 Right loudspeaker
- 17 Right loudspeaker ground
- 18 Right loudspeaker ground
- 19 Left loudspeaker ground

6. TECHNICAL CHARACTERISTICS

6.1 Mechanical characteristics

Protection against solid bodies and liquids: IP 40
Protection against impacts: IK 04

6.2 Material characteristics

Casing: Polygloss appearance

Colour: - Molded white RAL 9003
- Painted aluminium RAL 9023
- Painted black: RAL 9017
- Painted dark grey: RAL7016

Material: - Plate: ABS
- Cover plate: ABS
- Zero halogen
- UV resistant

6.4 Climate characteristics

Storage and operating temperature: -5°C to +35°C

7. CARE

Clean the surface with a cloth.

Do not use: acetone, tar-removing cleaning agents or trichloroethylene.

Caution: Always test before using special cleaning products.

Resistant to the following products: Hexane (EN 60669-1), methylated spirit, soapy water, diluted ammonia, bleach diluted to 10%, window-cleaning products, pre-impregnated wipes.

8. COMPLIANCE AND APPROVALS

NF-approved in accordance with standard NF C 61 314 certificate no. 575725 issued by the LCIE