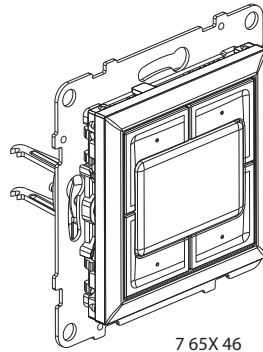


# SEANO™ Electronic push button 4

Cat. No(s): 7 65X 46



7 65X 46

## 1. USE

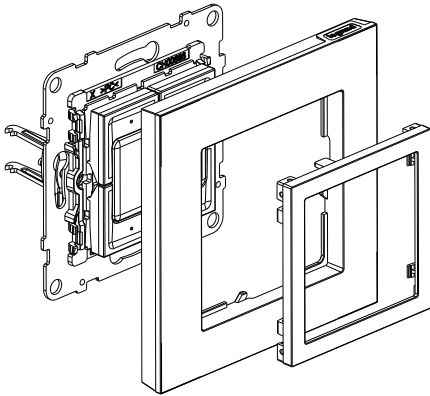
Lighting control mechanism equipped with 4 volt-free pushbuttons, to be used for controlling latching relays and other systems from 0 to 24 VDC.

For flush-mounting in a box 40 mm deep (minimum).

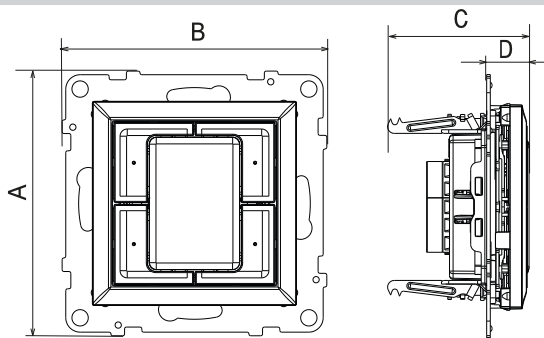
## 2. RANGE

Description	White	Aluminium	Matt black	Dark grey
4-button pushbutton with LED - 2 modules Has a label-holder Supplied with rocker plates To be fitted with a finishing plate	7 651 46	7 652 46	7 653 46	7 654 46

## 3. DISMANTLING



## 4. DIMENSIONS (mm)



References	A	B	C	D
7 65X 46	72,9	72,9	38,9	11,7

## 5. CONNECTION

Number of terminals: 10  
 Terminal type: screw  
 Terminal capacity: 1.5 mm<sup>2</sup>  
 Stripping length: 6 mm

## 6. TECHNICAL CHARACTERISTICS

### 6.1 Mechanical characteristics

Impact tests: IK 04  
 Penetration by solid/liquid matter: IP 20

### 6.2 Material characteristics

Rocker plates: -White RAL 9003 ABS  
 -Painted glittery varnished aluminium ABS  
 -Painted satin-finish matt black RAL 9017 ABS  
 -Painted dark grey: RAL7016 ABS

Mechanism casing: PC  
 Label-holder: Transparent PC  
 Halogen-free

UV-resistant

Self-extinguishing:

- 850°C/30 s for insulating components holding live parts in place.
- 650°C/30 s for other insulating components.

### 6.3 Electrical characteristics

	Nominal input voltage	Max. power	LED (24 V, ± 10%)
Latching relay	24 V~	24VA	4 LEDs = 8 mA
Other systems	0 - 24 VDC	1 A	4 LEDs = 8 mA

Frequency: 50/60 Hz

■ **6.4 Climate characteristics**

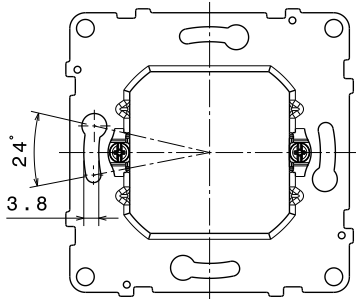
Storage temperature: -10°C to +70°C

Usage temperature: -5°C to +35°C

■ **6.5 Support**

Material of support: -Metal

Angular adjusting:

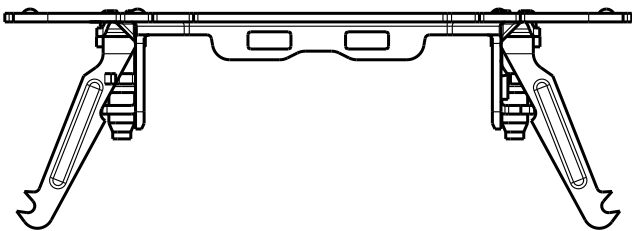


■ **6.6 Fixing with claws**

Number of turns to open the claws:

- 58 mm > 2,1 turns

- 65 mm > 2,75 turns



Performance of double teeth claws: extraction resistance

**7. MAINTENANCE**

Clean the surface with a cloth.

Do not use acetone, tar-removing cleaning agents or trichloroethylene.

Resistance to cleaning products:

Hexane (EN60669-1), methylated spirit, soapy water, diluted ammonia, bleach diluted to 10%, window-cleaning products, pre-impregnated wipes.

Resistance to hospital-grade cleaning products:

Anios, Surfianos, Bactylisine, diluted hydrogen peroxide (35%)

**Caution:** Always test before using other special cleaning products.

**8. STANDARDS AND APPROVALS**

Compliant with installation and manufacturing standards.

See e. catalogue.