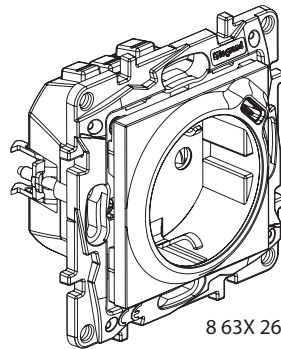


Niloé™ STEP

2 P+E + USB Type C mixed socket outlet

Cat. Nos: 8 63X 26



8 63X 26

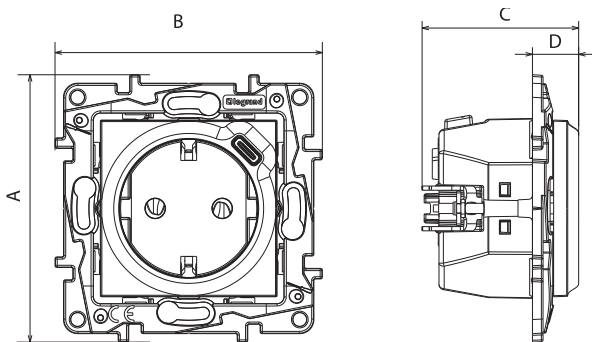
1. USE

2 P+E socket outlets with child protection.
 USB Type C socket: for recharging portable devices such as phones, smartphones, tablets, MP3, MP4, loudspeakers, watches, game consoles, powerbanks.
 Recessed mounting in box depth 40 mm min (Multi-station compatible box).
 Fixing with screws and/or claws.

2. RANGE

Description	White	Aluminium	Black
Mixed socket composed of: - 2 P+E socket - 16 A - 250 V~ - single USB socket - 5 V= - 1.5 A - 7.5 W Supplied with support and cover plate. German standard	8 631 26	8 633 26	8 635 26

3. DIMENSIONS (mm)



A	B	C	D
75,8	75,8	44,4	13,1

4. CONNECTION

- 4.1 2 P+E socket outlet**
 Type of terminals: automatics
 Terminal capacity: 6 x 2.5 mm²
 Stripping length: 11 mm
 Flexible or rigid cables compatible
- 4.2 Type C USB socket**
 Prewired socket

5. TECHNICAL CHARACTERISTICS

- 5.1 Mechanical characteristics**
 Protection against impact: IK 04
 Protection against solid bodies and liquids: IP 40
 - 5.2 Material characteristics**
 Mechanism casing: PC
 Cover plate: PC molded White RAL 9003
 PC painted Aluminium RAL 9023
 PC painted Black 9017
 Support: PC grey RAL 7016 + metal
 Claws: Steel
 Halogen-free
 UV-resistant
 Self-extinguishing:
 850°C/30 s for insulating components holding live parts in place
 650°C/30 s for other insulating components.
 - 5.3 Electrical characteristics 2 P+E socket**
 Voltage: 250 V~
 Current: 16 A
 Frequency: 50/60 Hz
 - 5.4 Electrical characteristics USB socket**
 Integrated surge protection
 All values listed below are measured at an ambient temperature of + 25° and after 15 minutes of operation.
 - 5.5 Climate characteristics**

Connector	USB Type C
Nominal input voltage	250 V~
Nominal input frequency	50-60 Hz
Nominal input current	200 mA
Standby power consumption	0.07 W - 0.075 W
Nominal output voltage	5 V=
Nominal output current	1.5 A
Efficiency can meet energy star level "VI" (≥ 76% measured at USB socket output side)	
Safety standard	EN62368-1
Protection class	II - Low voltage
- Storage temperature: -10°C to +70°C
 Operating temperature: -5°C to +35°C

6. CLEANING

Surface cleaning with a cloth.
Do not use: acetone, tar remover, trichlorethylene.

Caution: A preliminary test should be carried out if other specific cleaning products are to be used.

7. STANDARDS AND APPROVALS

Compliant with installation and manufacturing standards.
See e-catalogue.