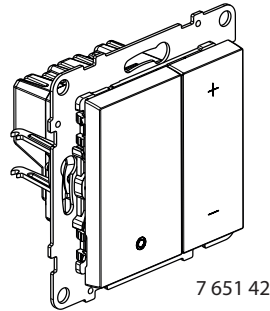


SEANO™

Push-button dimmer with neutral for 1-10V ballast



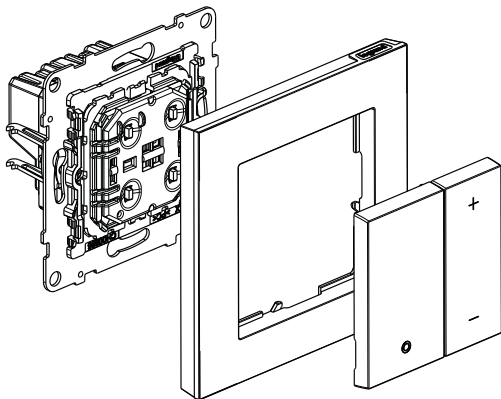
1. USE

Allows the control of fluorescent tubes with 1-10 V electronic ballast. The product is equipped with on/off buttons and a button independent +/- for variation.

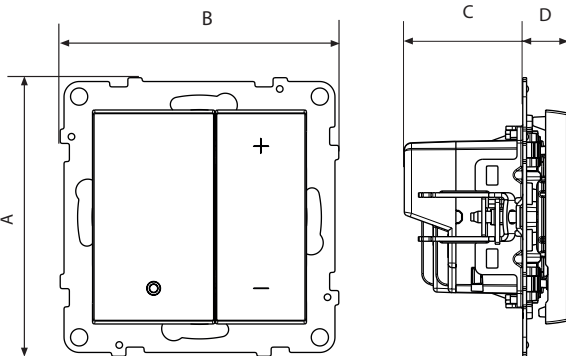
2. RANGE

Description	White
Push-button dimmer with neutral 1-10V ballast	7 651 42

4. DIMENSIONS (mm)



4. DIMENSIONS (mm)



References	A	B	C	D
7 651 42	72,9	72,9	42,7	11,7

4. DIMENSIONS (mm)

6 terminals with screws
 Terminal capacity: 2 x 1.5 mm² or 1 x 2.5 mm²
 Stripping length: 8 mm

5. TECHNICAL CHARACTERISTICS

■ 5.1 Mechanical characteristics

Protection against impacts : IK 04
 Protection against solid/bodies and liquids: IP 40

■ 5.2 Material characteristics

Polygloss appearance
 Colour: - White RAL 9003

Material:
 Rockers: ABS
 Material of the support: Metal

Halogen-free
 UV-resistant

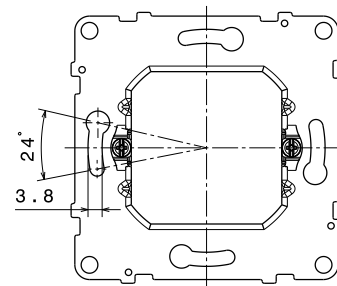
Self-extinguishing:
 850°C/30 s for insulating components holding live parts in place
 650°C/30 s for other insulating components

■ 5.3 Electrical characteristics

Voltage: 100 to 240 V~
 Frequency: 50/60 Hz

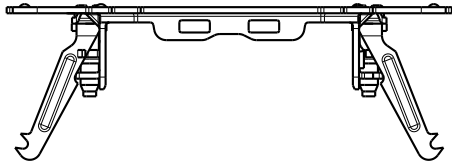
■ 6.5 Support

Material of support: -Metal
 Angular adjusting:



■ 6.6 Fixing with claws

Number of turns to open the claws:
 - 58 mm > 2,1 turns
 - 65 mm > 2,75 turns



■ 5.4 Climate characteristics

Storage temperature: -10°C to +70°C

Usage temperature: -5°C to +35°C

6. MAINTENANCE

Surface cleaning with a cloth.

Do not use:

Acetone, tar remover, trichloroethylene.

Maintenance with the following products:

Hexane, Methylated spirit, Soapy water, Diluted ammonia, Bleach diluted to 10%, Window-cleaning products, Pre-impregnated wipes.

Caution: Always test before using other special cleaning products.

7. STANDARDS AND APPROVALS

Compliant with installation and manufacturing standards.

See e-catalogue.