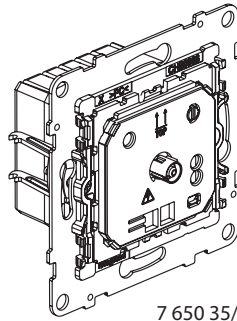


SEANO™
Time switch 0-15min/ 0-120min

Cat. Nos: 7 650 35/36



7 650 35/36

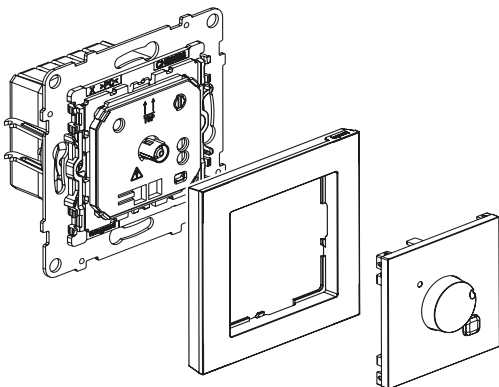
1. USE

Timer switch allows time setting by using the rotary knob. The push function enables additional settings.

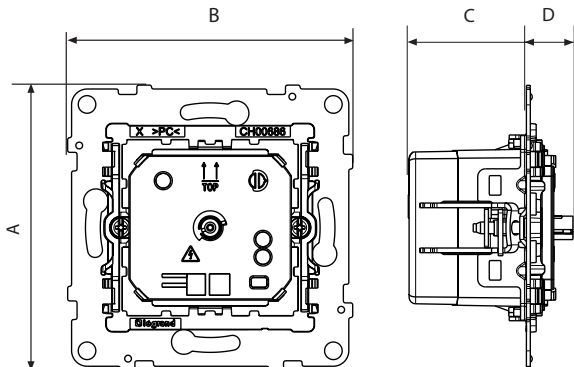
2. RANGE

Description	Cat. no.
Time switch 0-15min	7 650 35
Time switch 0-120min	7 650 36

4. DIMENSIONS (mm)



4. DIMENSIONS (mm)



References	A	B	C	D
7 651 42	72,9	72,9	42	12

4. DIMENSIONS (mm)

Terminal capacity: 2 x 1.5 mm² or 1 x 2.5 mm²
 Stripping length: 8 mm

5. TECHNICAL CHARACTERISTICS

■ **5.1 Mechanical characteristics**

Protection against impacts : IK 04
 Protection against solid/bodies and liquids: IP 40

■ **5.2 Material characteristics**

Halogen-free
 UV-resistant

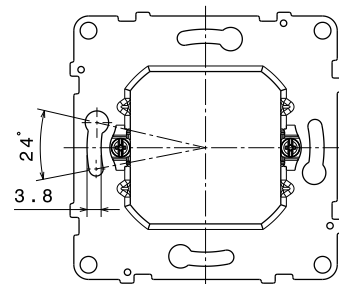
Self-extinguishing:
 850°C/30 s for insulating components holding live parts in place
 650°C/30 s for other insulating components

■ **5.3 Electrical characteristics**

Voltage: 100 to 240 V~
 Frequency: 50/60 Hz

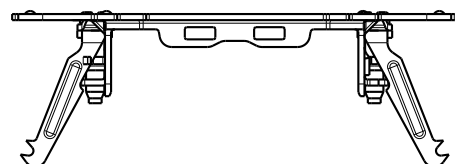
■ **6.5 Support**

Material of support: -Metal
 Angular adjusting:



■ **6.6 Fixing with claws**

Number of turns to open the claws:
 - 58 mm > 2,1 turns
 - 65 mm > 2,75 turns



Time switch 0-15min/ 0-120min

■ 5.4 Climate characteristics

Storage temperature: -10°C to +70°C

Usage temperature: -5°C to +35°C

6. MAINTENANCE

Surface cleaning with a cloth.

Do not use:

Acetone, tar remover, trichloroethylene.

Maintenance with the following products:

Hexane, Methylated spirit, Soapy water, Diluted ammonia, Bleach diluted to 10%, Window-cleaning products, Pre-impregnated wipes.

Caution: Always test before using other special cleaning products.

7. STANDARDS AND APPROVALS

Compliant with installation and manufacturing standards.

See e-catalogue.