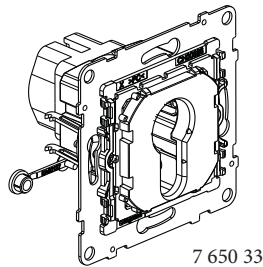
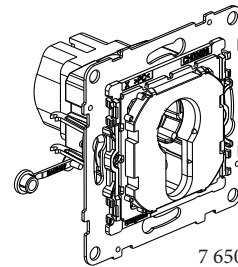


SEANO™ Key switch and push button



7 650 33



7 650 34

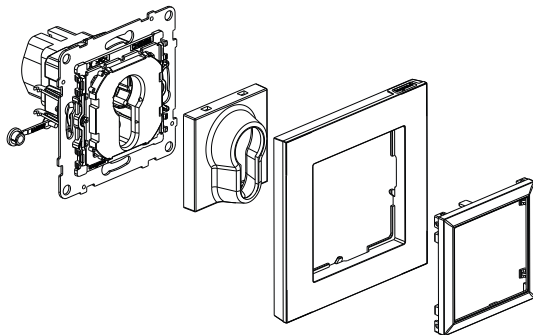
1. USE

Mechanism for controlling the opening and closing of circuits requiring the use of a key.
 To be fitted with barrel ref. 0 697 95 or with standard European barrel.

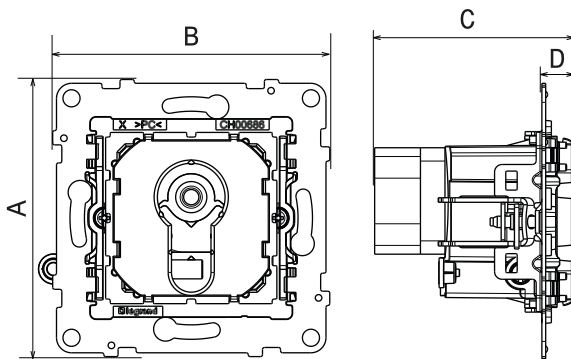
2. RANGE

Description	Mechanism Only
Key switch DIN 2 position	7 650 33
Key push-button	7 650 34

4. DIMENSIONS (mm)



4. DIMENSIONS (mm)



References	A	B	C	D
7 650 33	72,9	72,9	47,3	20
7 650 34	72,9	72,9	47,3	20

4. DIMENSIONS (mm)

Type of terminals: with screws
 Terminal capacity: 2 x 2.5 mm²
 Compatible flexible or rigid cables
 Stripping length: 6 mm
 Screwdriver: Philips N°1

5. TECHNICAL CHARACTERISTICS

■ 5.1 Mechanical characteristics

Protection against impacts : IK 04
 Protection against solid/bodies and liquids: IP 41

■ 5.2 Material characteristics

Base and cover plate: PC
 Self-extinguishing:
 850°C/30 s for insulating components holding live parts in place
 650°C/30 s for other insulating components

Cover-plate: ABS
 Colour: moulded white RAL9003
 painted aluminium RAL9023
 painted black RAL9017
 painted dark grey RAL7016

■ 5.3 Electrical characteristics

Voltage: 250 V~
 Current: 10 A
 Frequency: 50/60 Hz
 Maximum power supported (motor): 750 W - 230 V~
 48 V~ - 3 A

■ 5.4 Climate characteristics

Storage temperature: -10°C to +70°C
 Usage temperature: -5°C to +35°C

6. ACCESSORIES

European barrel Cat. No. 0 697 95 delivered with a single set of 3 keys.

7. STANDARDS AND APPROVALS

Compliant with installation and manufacturing standards.
 See e-catalogue.