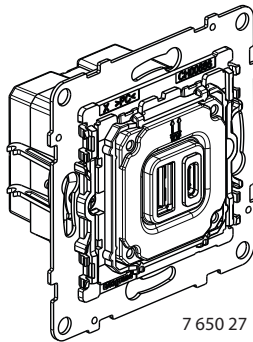
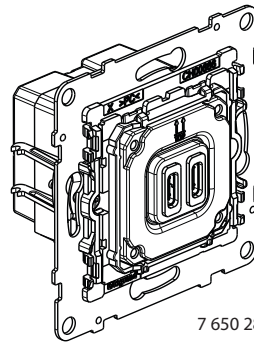


SEANO™ Double USB sockets Type-A+C; Type-C+C & Type C+C 30W power delivery

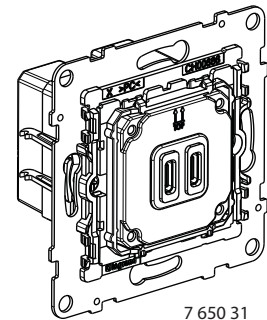
Cat. No(s): 7 650 27/28/31



7 650 27



7 650 28



7 650 31

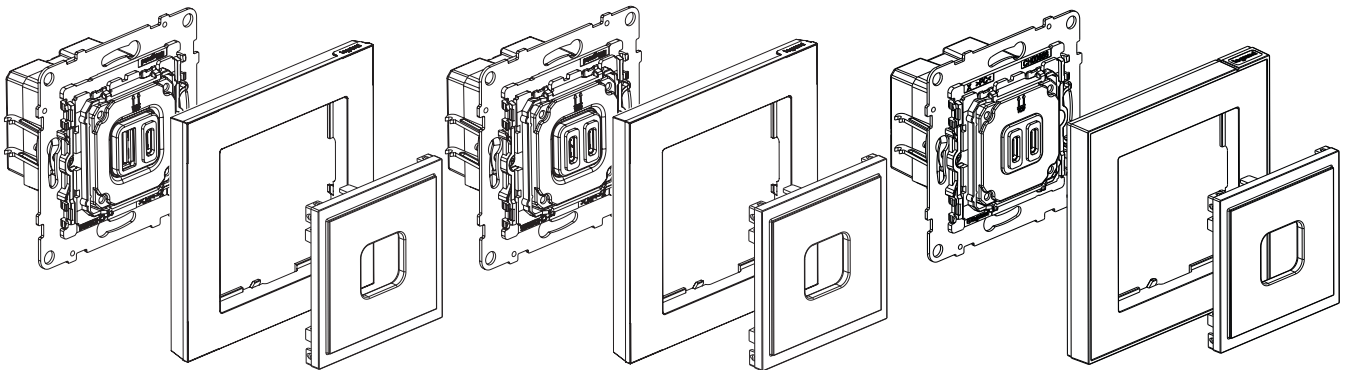
1. USE

For recharging portable devices such as phones, smartphones, tablets, MP3, MP4, loudspeakers, watches, game consoles, powerbanks.
 Fixing with screw and/or claw.

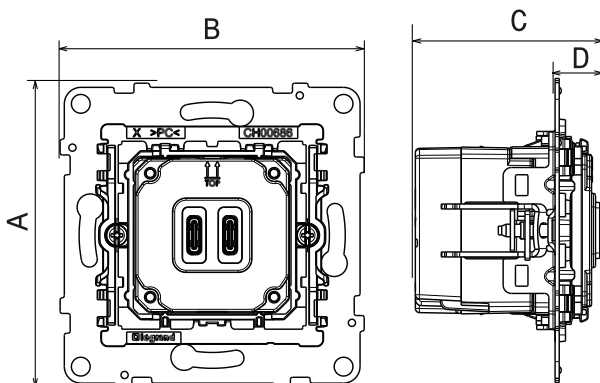
2. RANGE

Description	Mechanism only
2XUSB TYPE A+C	7 650 27
2XUSB TYPE C+C	7 650 28
2X USB TYPE C+C 30W	7 650 31

3. DISMANTLING



4. DIMENSIONS (mm)



References	A	B	C	D
7 650 27	72,9	72,9	41,5	10,7
7 650 28	72,9	72,9	41,5	10,7
7 650 31	72,9	72,9	44,2	10,7

5. CONNECTION

Flexible or rigid cables compatible.
 Type of terminals:
 Screw terminal
 Terminal capacity:
 2 X 2.5mm²
 Stripping length:
 6mm
 Usb socket:
 Prewired socket

SEANO™
Double USB sockets Type-
A+C;Type-C+C & Type C+C 30W
power delivery

Cat. No(s): 7 650 27/28/31

6. TECHNICAL CHARACTERISTICS

■ **6.1 Mechanical characteristics**

Protection against solid bodies and liquids: IP40
 Protection against impact: IK04

■ **6.2 Material characteristics**

Polygloss appearance

Colour: -Molded white RAL 9003
 -Painted aluminium 9023
 -Painted black 9017
 -Painted dark grey 7016

Material: - Base: PC
 - Socket covers: ABS
 - Halogen-free
 - UV resistant

Self-extinguishing:

850°C/30 s for installing components holding live parts in place
 650°C/30 s for other insulating components

■ **6.3 Electrical characteristics**

All values listed below are measured at an ambient temperature +20°C and after 30 minutes of operation.

■ **6.3.1 USB A+C&C**

Nominal input voltage	100-240 V~
Nominal input frequency	50/60 Hz
Nominal output voltage	5.0 V
Nominal input current	0.5A
Maximum output current Type-C	3.0 A
Power consumption	15.0 W
Average efficiency in active mode	80.3%
Stand-by power consumption	< 0.07 W
Consumption class without load and average level of efficiency: Level VI*	
Protection class	II - Low voltage

***Note:** European Regulation No. 278/2009 of 6 April 2009, Directive 2009/125/EC on eco-design requirements for AC/DC power supplies.

Note: To optimize the charging time of your device, ensure turn it off during the charging phase.

■ **6.3.2 USB C+C 30W**

Nominal input voltage	100-240 V~
Nominal input frequency	50/60 Hz
Max. output power	30.0W
Nominal input current	0.5A
Max. nominal output current	3.0 A
Nominal output voltage	5.0 V *
Average efficiency in active mode	88% 1 output 85% 2 outputs
Stand-by power consumption	0.08W
Consumption class without load and average level of efficiency: Level VI*	
Protection class	II - Low voltage

6. TECHNICAL CHARACTERISTICS (continued)

*Optimise/voltage:	
1 output	
5.0V~	3.0A
9.0V~	3.0A
12.0V~	2.5A
15.0V~	2.0A
20.0V~	1.5A

*Optimise/voltage:	
2 outputs	
C1: 5.0V~	2.4A
C2: 5.0V~	2.4A

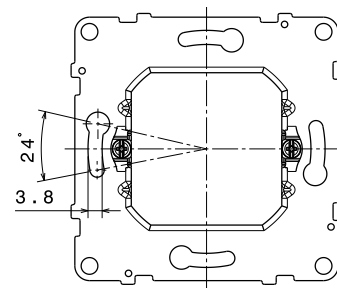
***Note:** To optimize the charging time of your device, ensure turn it off during the charging phase.

■ **6.4 Climate characteristics**

Usage temperature: 0°C to +45°C
 Storage temperature: -20°C to +70°C

■ **6.5 Support**

Material of support: -Metal
 Angular adjusting:



7. MAINTENANCE

Surface cleaning with a cloth.

Do not use:

Acetone, tar remover, trichloroethylene.

Maintenance with the following products:

Hexane (EN 60669-1), Methylated spirit, Soapy water, Diluted ammonia, Bleach diluted to 10%, Window-cleaning products.

Caution: Always test before using other special cleaning products.

7. STANDARDS AND APPROVALS

Compliant with installation and manufacturing standards.
 Refer to e. catalogue.