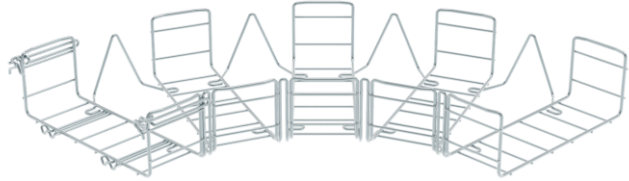
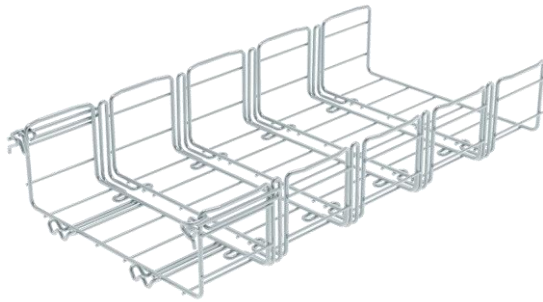


CABLOBEND H105

Reference(s) : 220 /891/901/911/921/931/941/896/
906/916/926/936/946/898/908/
918/928/938/948
221 /931/031/936/036/938/038



1. USE

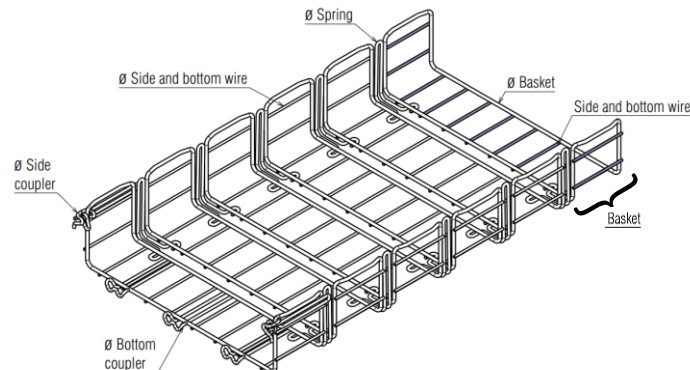
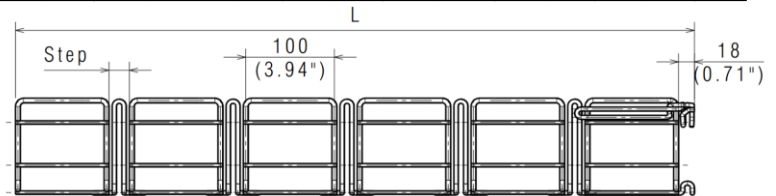
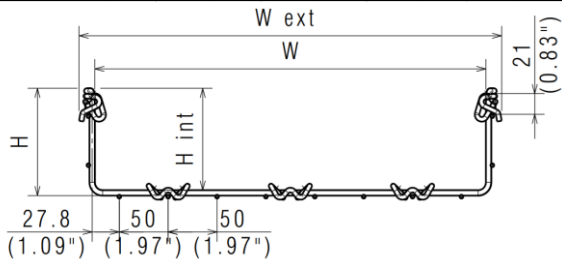
An automatic coupling flexible wiremesh accessory compatible with Fasclit+ and Cablofil wire mesh lengths.


2. RANGE

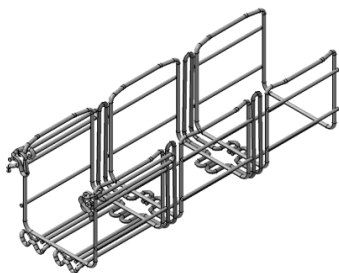
Designation	W		EZ			HR			SS304L		
			CODE	Weight		CODE	Weight		CODE	Weight	
	(mm)	(inch)		(Kg)	(LBS)		(Kg)	(LBS)		(Kg)	(LBS)
CBB - 105/100	100	3,9	220891	0,8	0,4	220896	0,8	0,4	220898	0,8	0,4
CBB - 105/150	150	5,9	220901	1,1	0,5	220906	1,1	0,5	220908	1,1	0,5
CBB - 105/200	200	7,9	220911	1,2	0,5	220916	1,2	0,5	220918	1,2	0,5
CBB - 105/300	300	11,8	220921	2,3	1,0	220926	2,3	1,0	220928	2,3	1,0
CBB - 105/400	400	15,7	220931	3,1	1,4	220936	3,1	1,4	220938	3,1	1,4
CBB - 105/450	450	17,7	221931	3,8	1,7	221936	3,8	1,7	221938	3,8	1,7
CBB - 105/500	500	19,7	220941	4,0	1,8	220946	4,0	1,8	220948	4,0	1,8
CBB - 105/600	600	23,6	221031	5,1	2,3	221036	5,1	2,3	221038	5,1	2,3


3. DIMENSIONS (mm/inch)

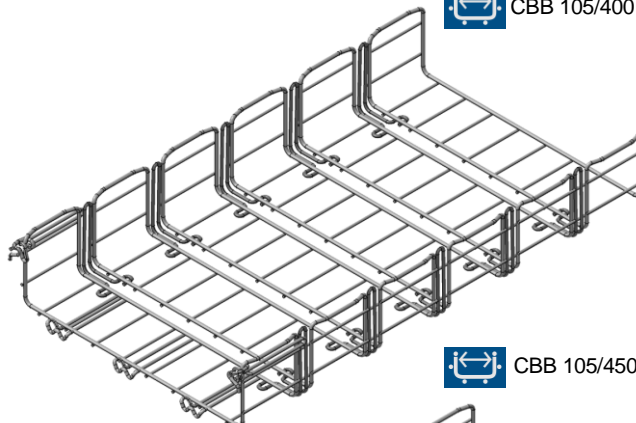
Designation	W ext		W		H		H int		Step		L		Number of Basket	Ø Basket		Ø Spring		Ø Side coupler		Ø Bottom coupler		Ø Side and bottom wire	
	(mm)	(inch)	(mm)	(inch)	(mm)	(inch)	(mm)	(inch)	(mm)	(inch)	(mm)	(inch)		(mm)	(inch)	(mm)	(inch)	(mm)	(inch)	(mm)	(inch)	(mm)	(inch)
CBB - 105/100	130	5,12	100	3,94	114	4,49	105	4,13	23	14,72	379	14,72	3	4,4	0,17	4,4	0,17	4,2	0,17	4,2	0,17	3,9	0,15
CBB - 105/150	180	7,09	150	5,91	114	4,49	105	4,13	23	14,72	507	19,72	4	4,4	0,17	4,4	0,17	4,2	0,17	4,2	0,17	3,9	0,15
CBB - 105/200	230	9,06	200	7,87	114	4,49	105	4,13	23	14,72	507	19,96	4	4,4	0,17	4,4	0,17	4,2	0,17	4,2	0,17	3,9	0,15
CBB - 105/300	335	13,19	300	11,81	114	4,49	105	4,13	23	14,72	640	24,96	5	5,5	0,22	4,9	0,19	4,7	0,19	4,7	0,19	3,9	0,15
CBB - 105/400	435	17,13	400	15,75	114	4,49	105	4,13	23	14,72	768	30,24	6	5,5	0,22	4,9	0,19	4,7	0,19	4,7	0,19	3,9	0,15
CBB - 105/450	485	19,09	450	17,72	114	4,49	105	4,13	23	14,72	897	35,31	7	5,5	0,22	4,9	0,19	4,7	0,19	4,7	0,19	3,9	0,15
CBB - 105/500	535	21,06	500	19,69	114	4,49	105	4,13	23	14,72	897	35,31	7	5,5	0,22	4,9	0,19	4,7	0,19	4,7	0,19	3,9	0,15
CBB - 105/600	635	25	600	23,62	114	4,49	105	4,13	23	14,72	1025	40,35	8	5,5	0,22	4,9	0,19	4,7	0,19	4,7	0,19	3,9	0,15




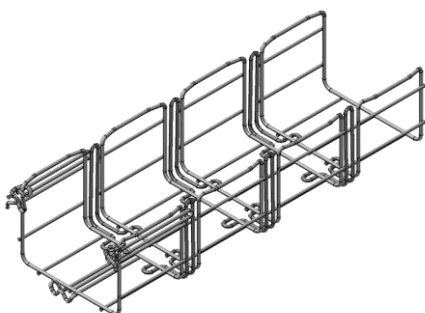
 CBB 105/100 -220 891




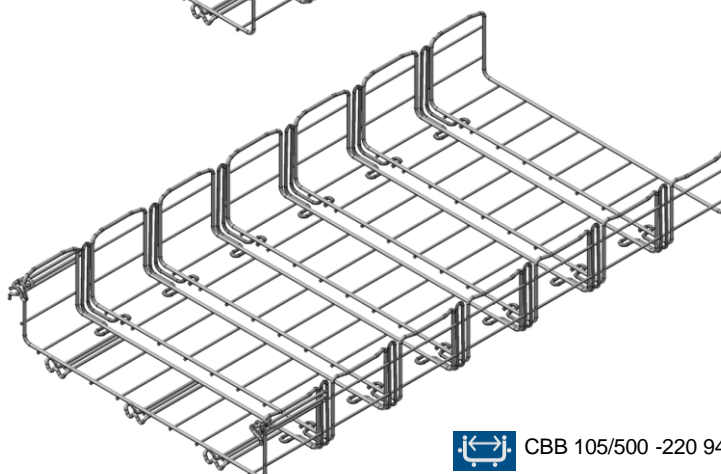
 CBB 105/400 -220 931




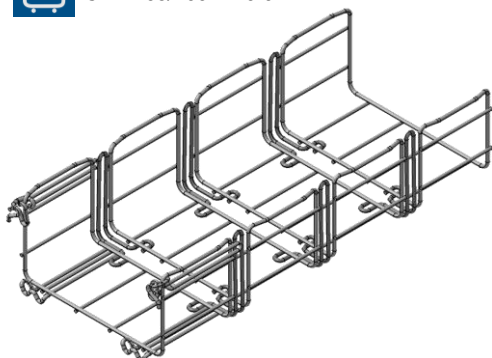
 CBB 105/150 -220 901




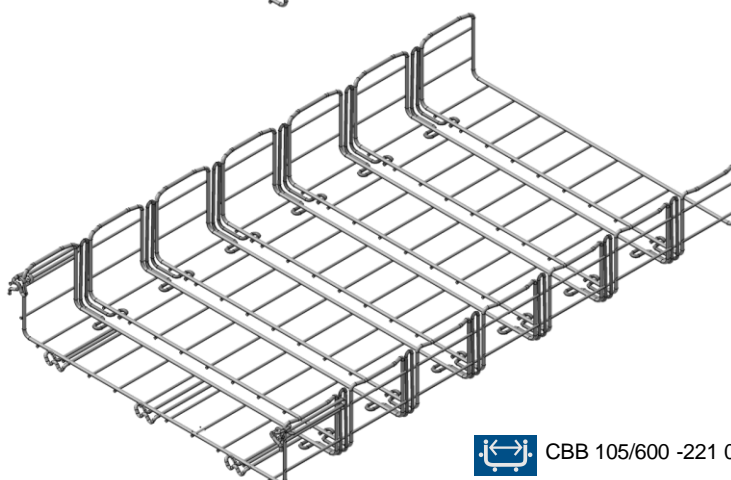
 CBB 105/450 -221 931




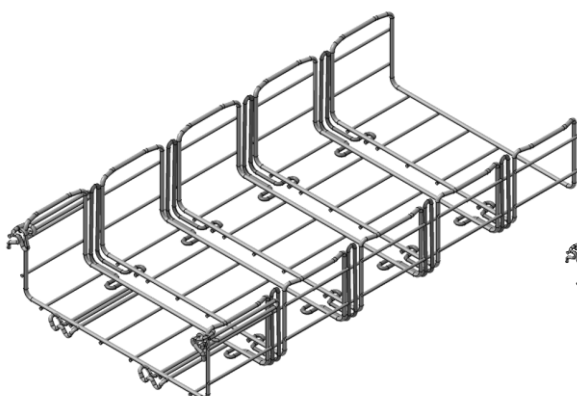
 CBB 105/200 -220 911




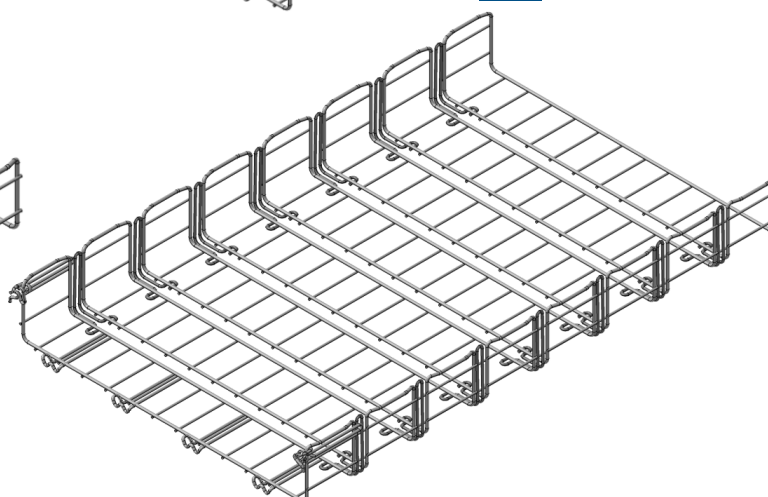
 CBB 105/500 -220 941



 CBB 105/300 -220 921



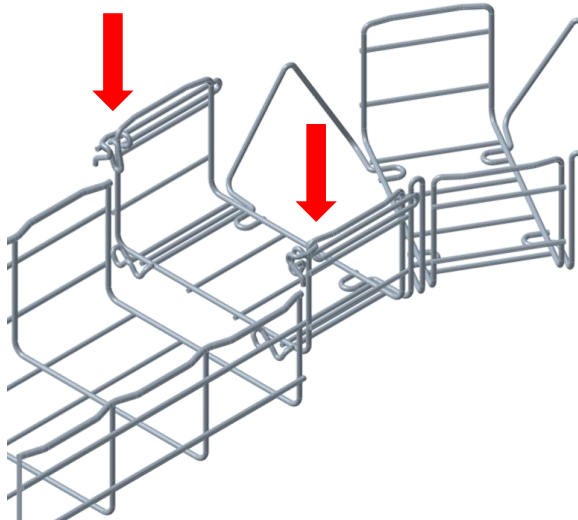
 CBB 105/600 -221 031



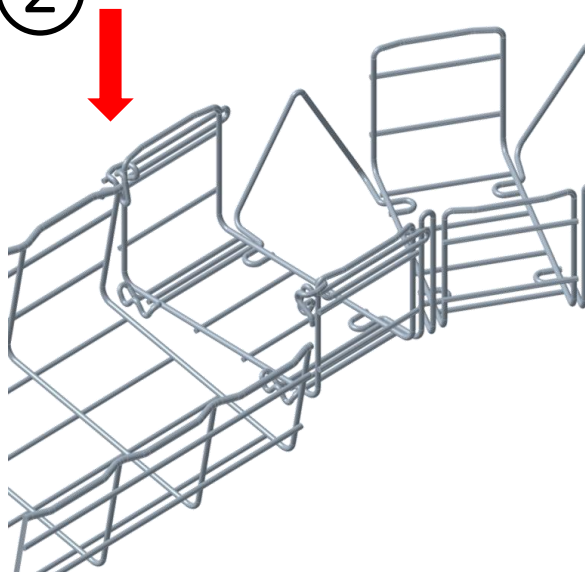
4. INSTALLATION

■ 4.1 FC+/CF

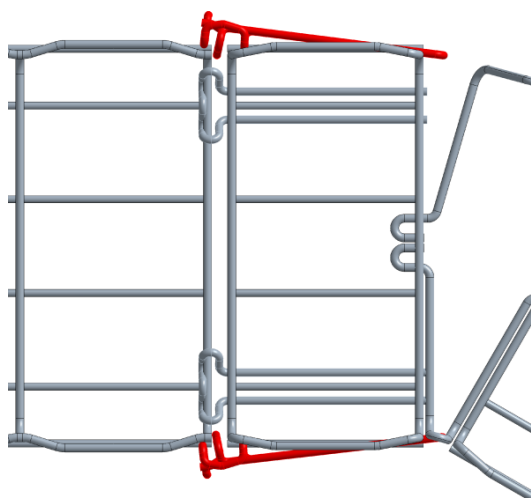
①



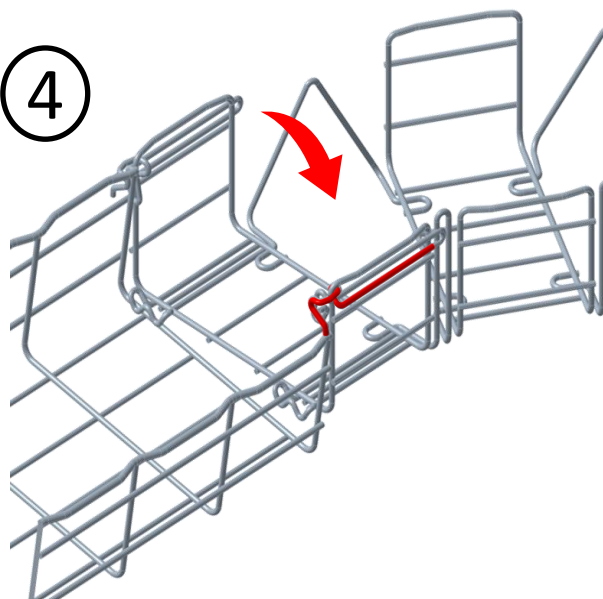
②



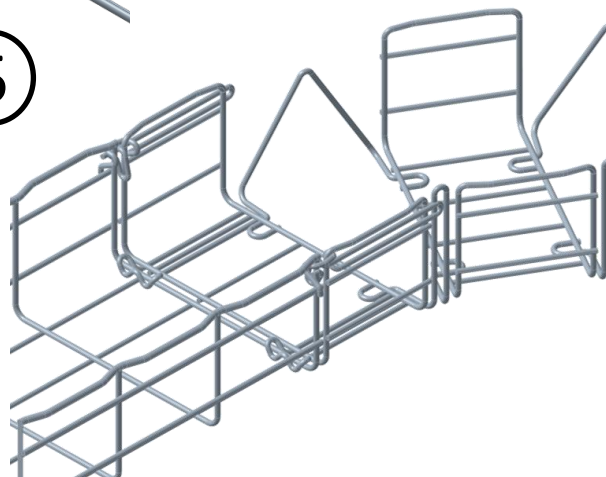
③



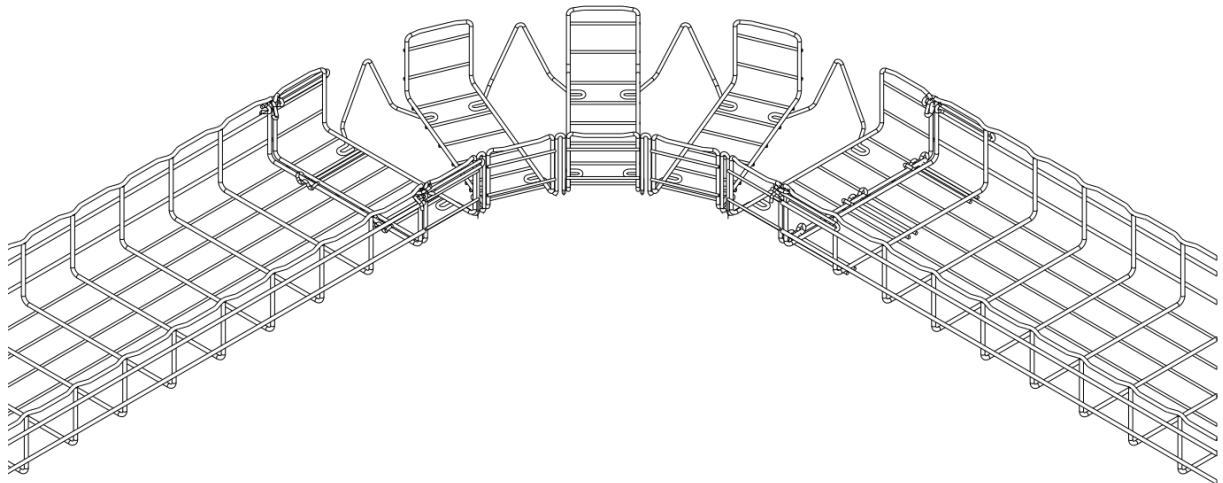
④



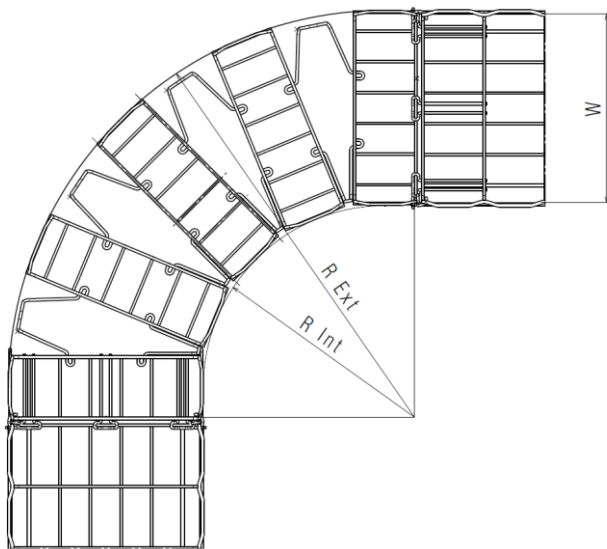
⑤



■ 4.2 Flat Bend



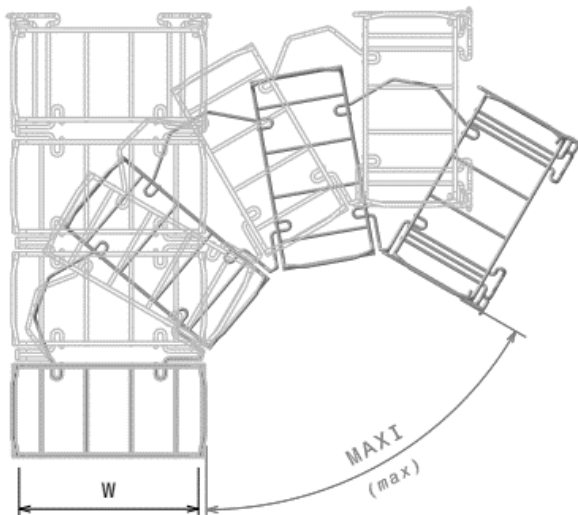
■ 4.2.1 90° Configuration



* Following dimensions refer to Flat Bend 90° configuration only

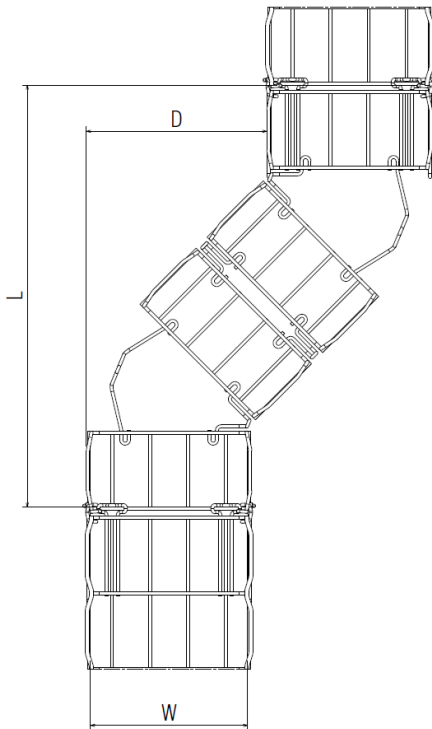
Width		Internal Radius		External Radius	
W		R Int		R Ext	
(mm)	(inch)	(mm)	(inch)	(mm)	(inch)
100	3,94	225	8,86	325	12,80
150	5,91	295	11,61	445	17,52
200	7,87	295	11,61	495	19,49
300	11,81	370	14,57	670	26,38
400	15,75	440	17,32	840	33,07
450	17,72	510	20,08	960	37,80
500	19,69	510	20,08	1010	39,76
600	23,62	600	23,62	1200	47,24

■ 4.2.2 Maximum angles configuration



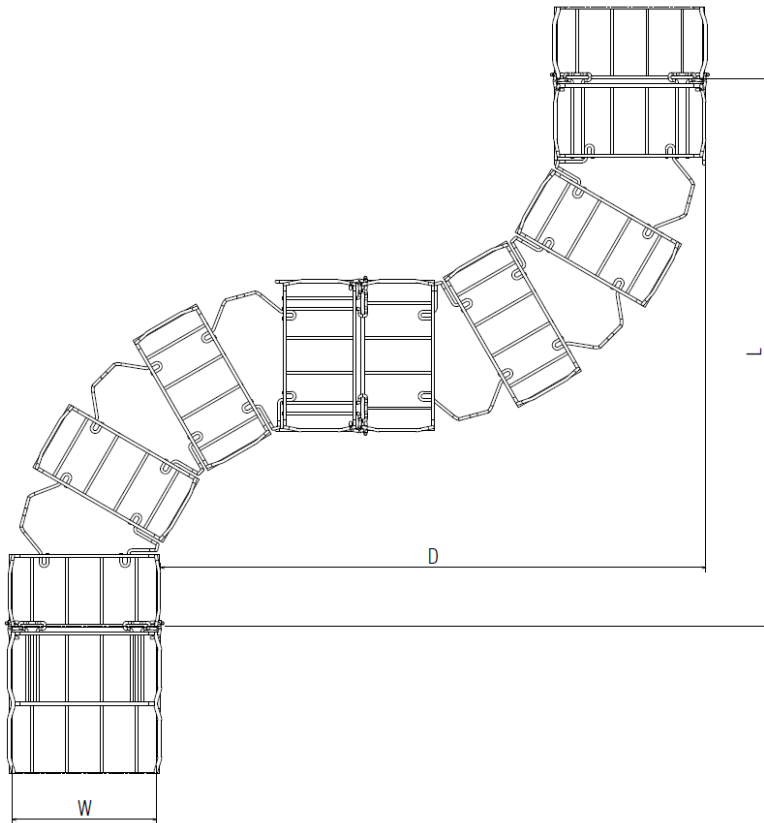
Width		Angle	
W		MAXI	
(mm)	(inch)	(Degrees)	(Radians)
100	3,94	120	2,09
150	5,91	120	2,09
200	7,87	120	2,09
300	11,81	110	1,92
400	15,75	110	1,92
450	17,72	110	1,92
500	19,69	110	1,92
600	23,62	110	1,92

■ 4.2.3 Clever configuration



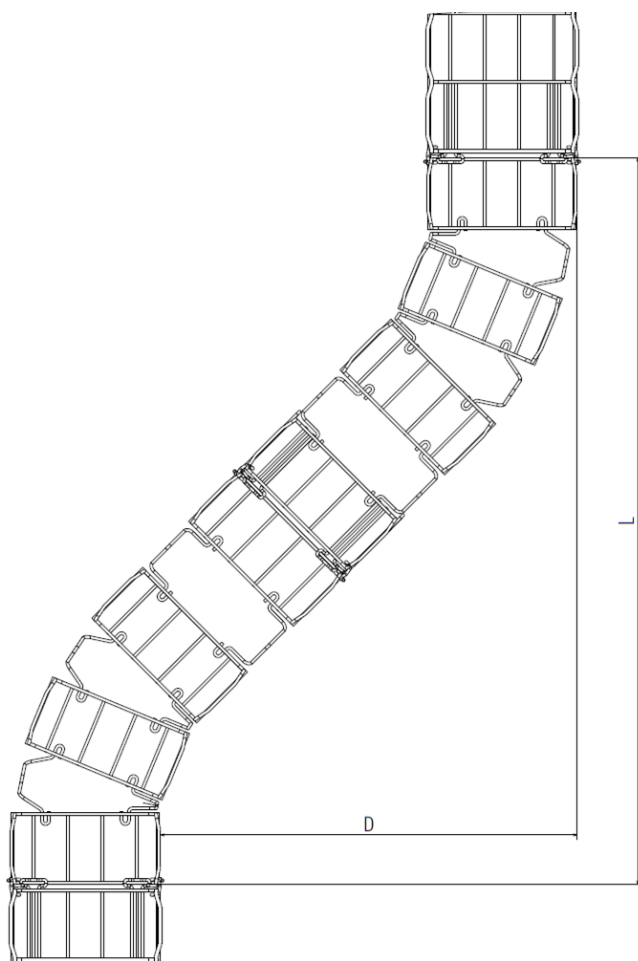
Width		Distance		Length	
W		D		L	
(mm)	(inch)	(mm)	(inch)	(mm)	(inch)
100	3,94	85	3,35	415	16,34
150	5,91	175	6,89	550	21,65
200	7,87	175	6,89	600	23,62
300	11,81	200	7,87	710	27,95
400	15,75	200	7,87	900	35,43
450	17,72	260	10,24	1030	40,55
500	19,69	260	10,24	1080	42,52
600	23,62	260	10,24	1175	46,26

■ 4.2.4 Double 90° configuration



Width		Distance/Length	
W		D/L	
(mm)	(inch)	(mm)	(inch)
100	3,94	550	21,65
150	5,91	740	29,13
200	7,87	790	31,10
300	11,81	1040	40,94
400	15,75	1280	50,39
450	17,72	1470	57,87
500	19,69	1520	59,84
600	23,62	1800	70,87

■ 4.2.5 Duo Clever Configurations

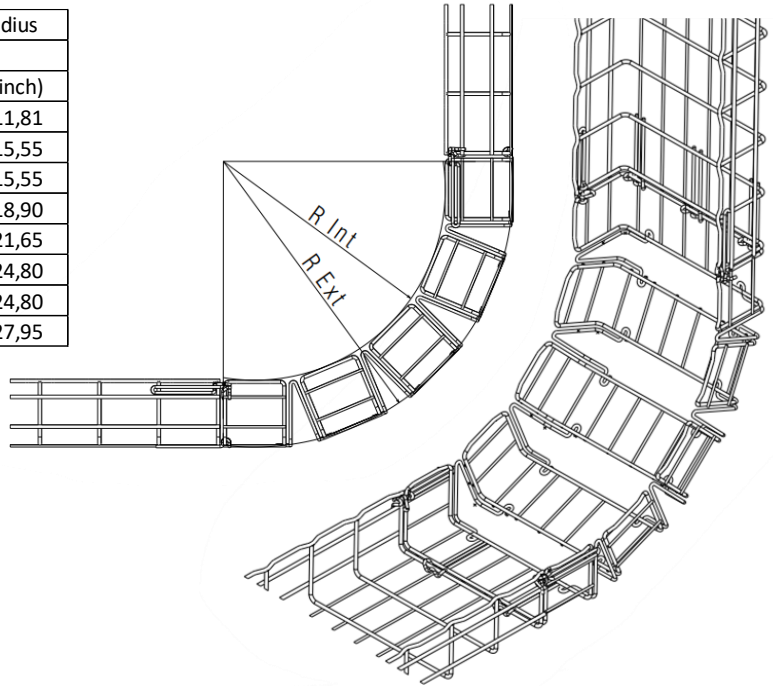


Width		Distance		Length	
W		D		L	
(mm)	(inch)	(mm)	(inch)	(mm)	(inch)
100	3,94	295	11,61	710	27,95
150	5,91	400	15,75	1010	39,76
200	7,87	600	23,62	1060	41,73
300	11,81	700	27,56	1330	52,36
400	15,75	850	33,46	1660	65,35
450	17,72	960	37,80	1920	75,59
500	19,69	975	38,39	1950	76,77
600	23,62	1100	43,31	2250	88,58

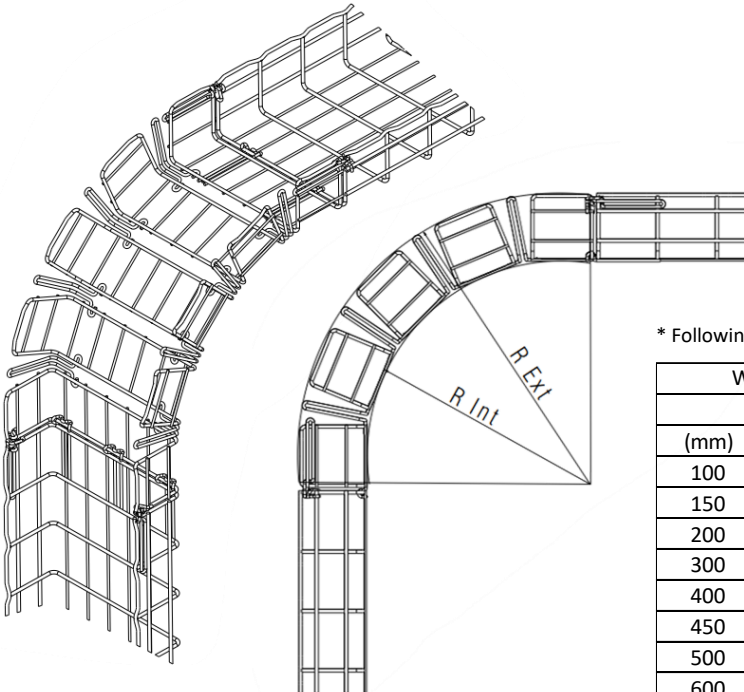
■ 4.3 Inside Riser

* Following dimensions refer to Inside Riser 90° configuration only

Width		Internal Radius		External Radius	
W		R Int		R Ext	
(mm)	(inch)	(mm)	(inch)	(mm)	(inch)
100	3,94	186	7,32	300	11,81
150	5,91	281	11,06	395	15,55
200	7,87	281	11,06	395	15,55
300	11,81	366	14,41	480	18,90
400	15,75	436	17,17	550	21,65
450	17,72	516	20,31	630	24,80
500	19,69	516	20,31	630	24,80
600	23,62	596	23,46	710	27,95



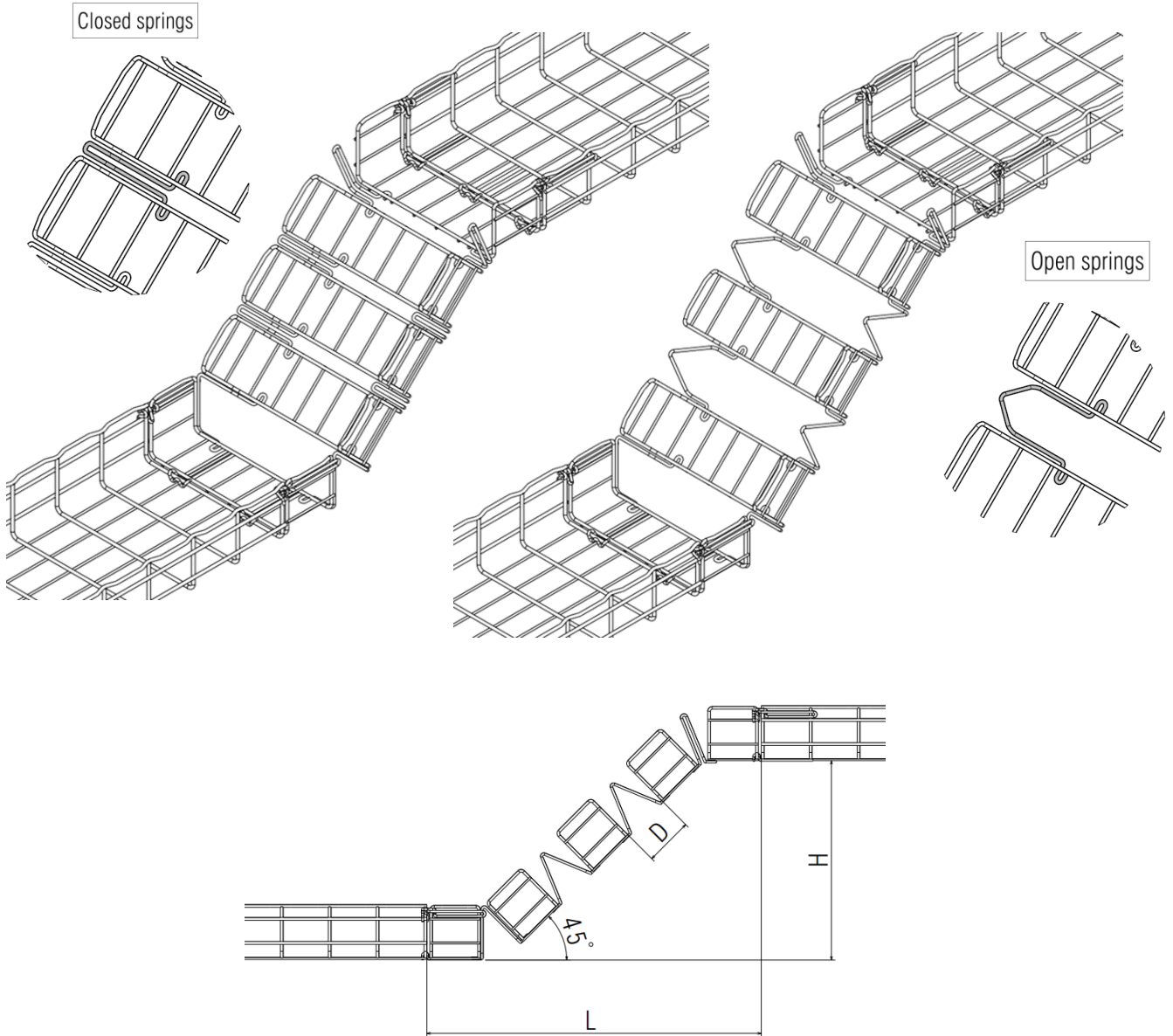
■ 4.4 Outside Riser



* Following dimensions refer to Outside Riser 90° configuration only

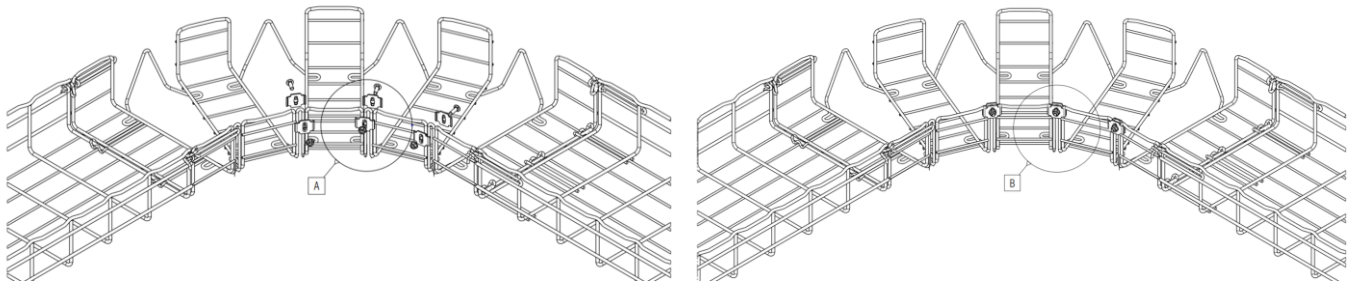
Width		Internal Radius		External Radius	
W		R Int		R Ext	
(mm)	(inch)	(mm)	(inch)	(mm)	(inch)
100	3,94	200	7,87	314	12,36
150	5,91	370	14,57	484	19,06
200	7,87	370	14,57	484	19,06
300	11,81	390	15,35	504	19,84
400	15,75	485	19,09	599	23,58
450	17,72	560	22,05	674	26,54
500	19,69	560	22,05	674	26,54
600	23,62	610	24,02	724	28,50

■ 4.5 Flexible Riser



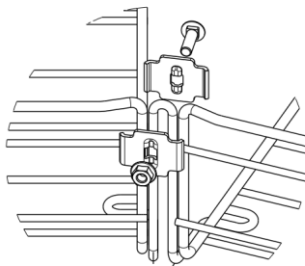
W (mm)	(inch)	Number of Basket	Mode	D distance		L		H	
				(mm)	(inch)	(mm)	(inch)	(mm)	(inch)
100	3,94	3	Closed springs	---	---	396	15,59	131	5,16
			Open springs						
150	5,91	4	Closed springs	23	0,91	487	19,17	222	8,74
			Open springs	100	3,94				
200	7,87	4	Closed springs	23	0,91	487	19,17	222	8,74
			Open springs	100	3,94				
300	11,81	5	Closed springs	23	0,91	577	22,72	313	12,32
			Open springs	100	3,94				
400	15,75	6	Closed springs	23	0,91	558	21,97	404	15,91
			Open springs	100	3,94				
450	17,72	7	Closed springs	23	0,91	759	29,88	494	19,45
			Open springs	100	3,94				
500	19,69	7	Closed springs	23	0,91	759	29,88	494	19,45
			Open springs	100	3,94				
600	23,62	8	Closed springs	23	0,91	850	33,46	585	23,03
			Open springs	100	3,94				

■ 4.6 CE35 as an internal radius



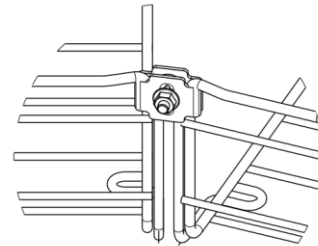
558 180 (PG)

Detail A



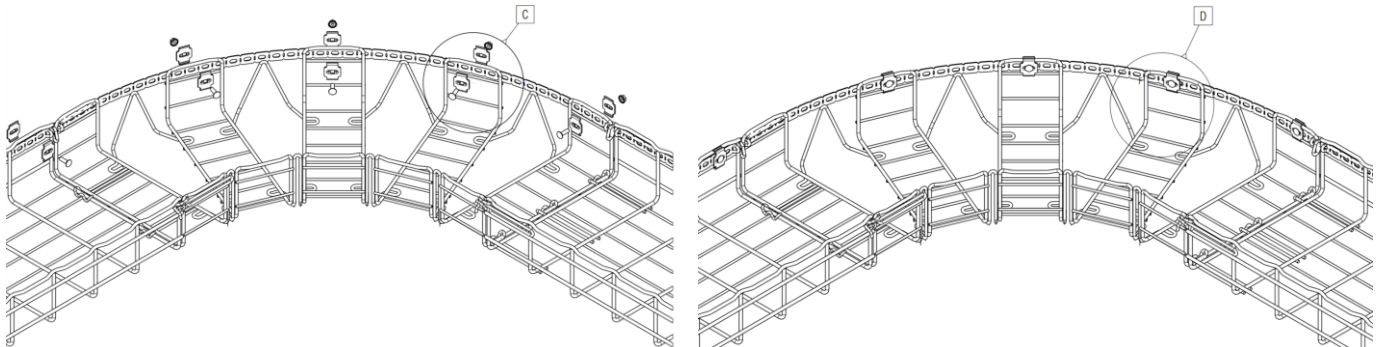
Width W		Number of CE35 on internal
(mm)	(inch)	
100	3,64	1
150	5,91	2
200	7,87	2
300	11,81	3
400	15,57	4
450	17,72	5
500	19,69	5
600	23,62	6

Detail B



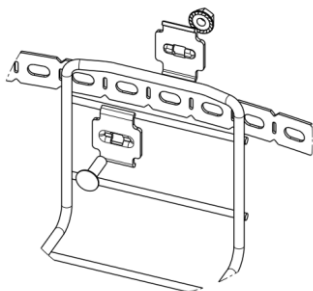
■ 4.7 Reinforcement Strip as an external radius

Fixed by a CE35



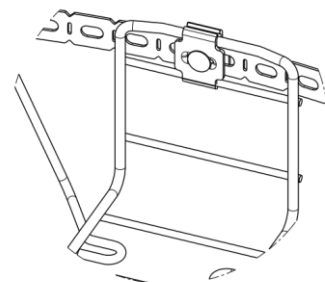
350 461 (PG)

Detail C



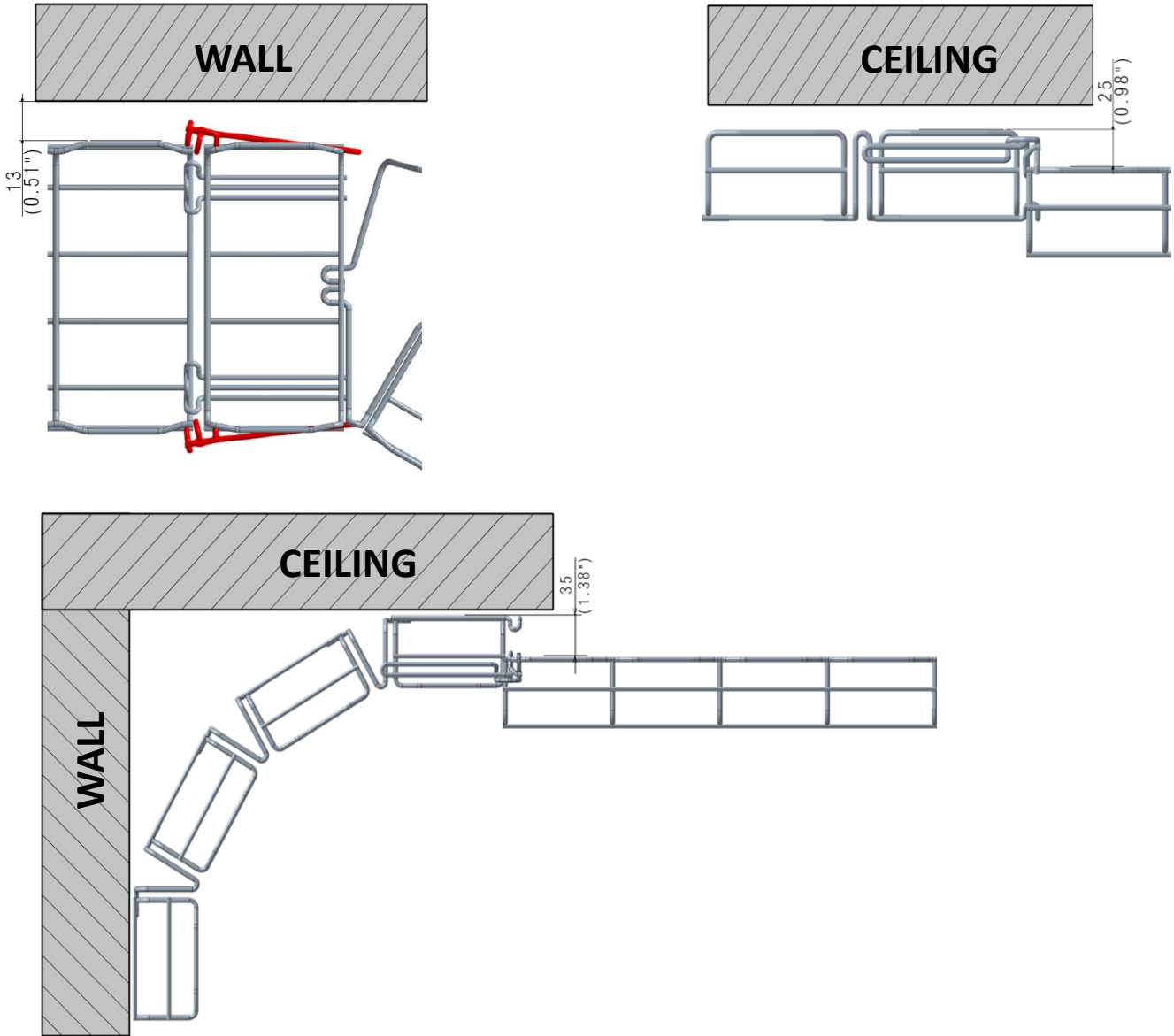
Width W		Number of CE35 on external radius
(mm)	(inch)	
100	3,64	4
150	5,91	5
200	7,87	5
300	11,81	6
400	15,57	7
450	17,72	8
500	19,69	8
600	23,62	9

Detail D



■ 4.8 Installation Wall / Ceiling

Dimensions to be left that allow assembly with Wall and Ceiling



5. TECHNICAL DATA

■ 5.1 Material characteristics

Material finish	Resistance class against corrosion	Material	Material standard
EZ	Class 3 / IEC 61537	C9D	EN ISO 1 61 20-2
HR	Class 8 / IEC 61537	C9D	EN ISO 1 61 20-2
SS304L	Class 9C/IEC 61537	X2 Cr Ni 18-9	EN 10 088-3

■ 5.2 Climatic characteristics

Storage and operating temperature : - 20° C à + 120° C

6. CONFORMITIES

Electrical continuity

- Following IEC 61537

Comply with IEC 61537 Cable tray system

7. CAPACITY

CBB 105 CABLOBEND SETUP

H mm	l mm	↓ (daN/m)	Possible configuration of installation	
			Version 1	Version 2
105	100	33	①	-
	150	45	② + ③	-
	200	53	② + ③	④
	300	79	② + ④	⑤
	400	105	② + ③ + ⑤	⑥
	450	118	② + ③ + ⑤	⑥
	500	100	② + ③ + ⑤	-
	500	130	-	⑥
	600	130	⑥	-

