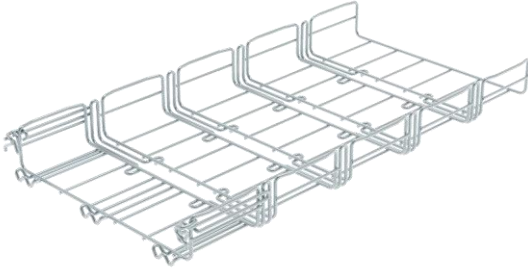


**CABLOBEND H54**

Reference(s) : 220 /071/081/091/101/201/251/301/  
401/076/086/096/106/206/256/  
306/406/078/088/098/108/208/  
258/308/408/074/084/094/104/  
204/254/304/404



**1. USE**

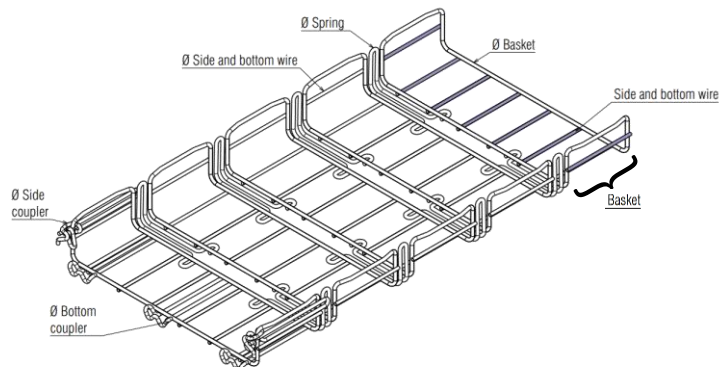
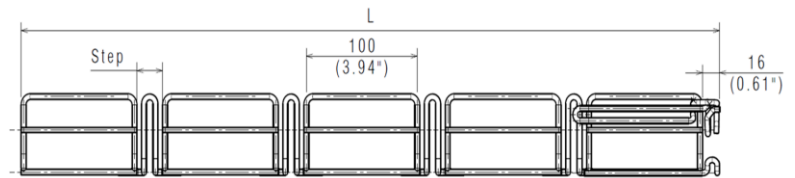
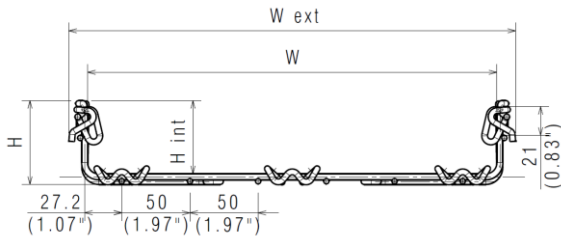
An automatic coupling flexible wiremesh accessory compatible with Fasclit+ and Cablofil wire mesh lengths.


**2. RANGE**

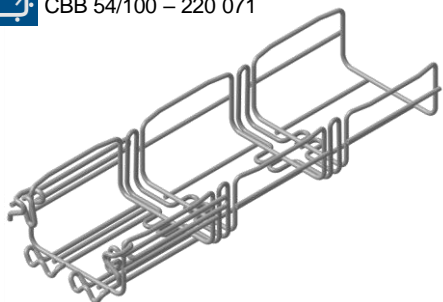
Designation	W		EZ			HR			SS304L			SS316L		
	(mm)	(inch)	CODE	Weight		CODE	Weight		CODE	Weight		CODE	Weight	
				(Kg)	(LBS)		(Kg)	(LBS)		(Kg)	(LBS)		(Kg)	(LBS)
CBB - 54/100	100	3,9	220071	0,6	0,3	220076	0,6	0,3	220078	0,6	0,3	220074	0,6	0,3
CBB - 54/150	150	5,9	220081	0,8	0,4	220086	0,8	0,4	220088	0,8	0,4	220084	0,8	0,4
CBB - 54/200	200	7,9	220091	1,0	0,5	220096	1,0	0,5	220098	1,0	0,5	220094	1,0	0,5
CBB - 54/300	300	11,8	220101	1,5	0,7	220106	1,5	0,7	220108	1,5	0,7	220104	1,5	0,7
CBB - 54/400	400	15,7	220201	2,8	1,3	220206	2,8	1,3	220208	2,8	1,3	220204	2,8	1,3
CBB - 54/450	450	17,7	220251	3,4	1,5	220256	3,4	1,5	220258	3,4	1,5	220254	3,4	1,5
CBB - 54/500	500	19,7	220301	3,6	1,7	220306	3,6	1,7	220308	3,6	1,7	220304	3,6	1,7
CBB - 54/600	600	23,6	220401	4,6	2,1	220406	4,6	2,1	220408	4,6	2,1	220404	4,6	2,1


**3. DIMENSIONS (mm/inch)**

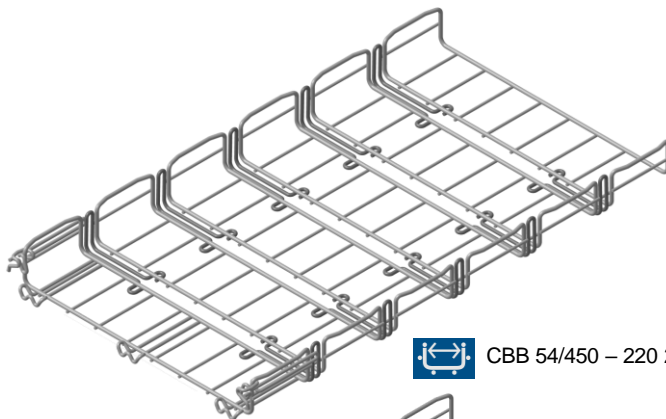
Designation	W ext		W		H		H int		Step		L		Number of Basket	Ø Basket		Ø Spring		Ø Side coupler		Ø Bottom coupler		Ø Side and bottom wire	
	(mm)	(inch)	(mm)	(inch)	(mm)	(inch)	(mm)	(inch)	(mm)	(inch)	(mm)	(inch)		(mm)	(inch)	(mm)	(inch)	(mm)	(inch)	(mm)	(inch)	(mm)	(inch)
CBB - 54/100	130	5,12	100	3,94	64	2,52	54	2,13	21	0,83	374	14,72	3	3,9	0,15	3,9	0,15	4,2	0,17	4,2	0,17	3,9	0,15
CBB - 54/150	180	7,09	150	5,91	64	2,52	54	2,13	21	0,83	501	19,72	4	4,4	0,17	3,9	0,15	4,2	0,17	4,2	0,17	3,9	0,15
CBB - 54/200	230	9,06	200	7,87	64	2,52	54	2,13	23	0,91	507	19,96	4	4,4	0,17	4,4	0,17	4,2	0,17	4,2	0,17	3,9	0,15
CBB - 54/300	330	12,99	300	11,81	64	2,52	54	2,13	23	0,91	634	24,96	5	4,4	0,17	4,4	0,17	4,2	0,17	4,2	0,17	3,9	0,15
CBB - 54/400	435	17,13	400	15,75	64	2,52	54	2,13	23	0,91	768	30,24	6	5,5	0,22	4,9	0,19	4,7	0,19	4,7	0,19	3,9	0,15
CBB - 54/450	485	19,09	450	17,72	64	2,52	54	2,13	23	0,91	897	35,31	7	5,5	0,22	4,9	0,19	4,7	0,19	4,7	0,19	3,9	0,15
CBB - 54/500	535	21,06	500	19,69	64	2,52	54	2,13	23	0,91	897	35,31	7	5,5	0,22	4,9	0,19	4,7	0,19	4,7	0,19	3,9	0,15
CBB - 54/600	635	25,00	600	23,62	64	2,52	54	2,13	23	0,91	1025	40,35	8	5,5	0,22	4,9	0,19	4,7	0,19	4,7	0,19	3,9	0,15




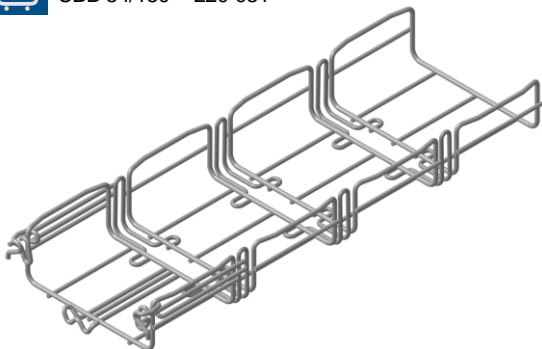
 CBB 54/100 – 220 071




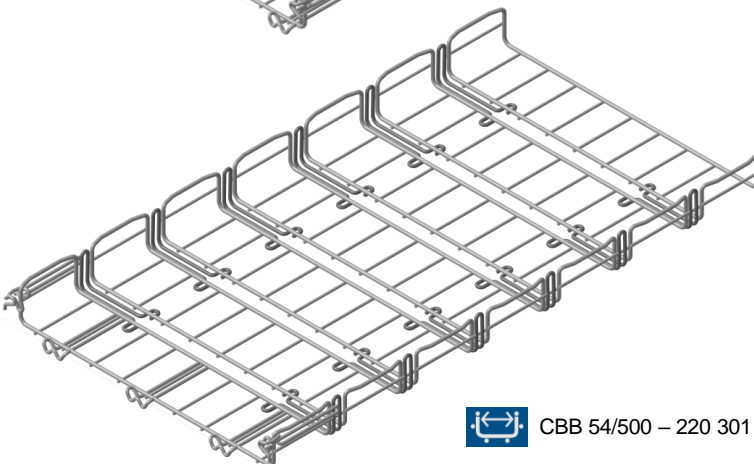
 CBB 54/400 – 220 201




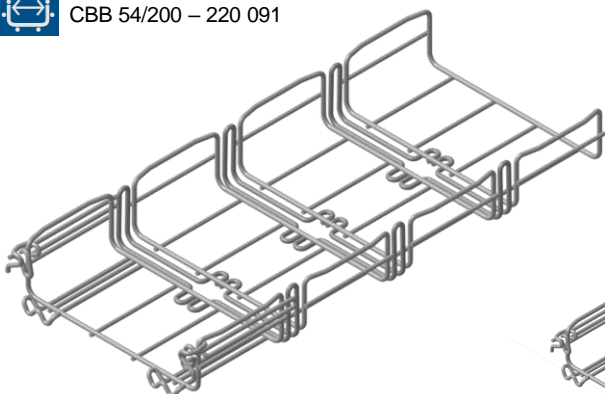
 CBB 54/150 – 220 081




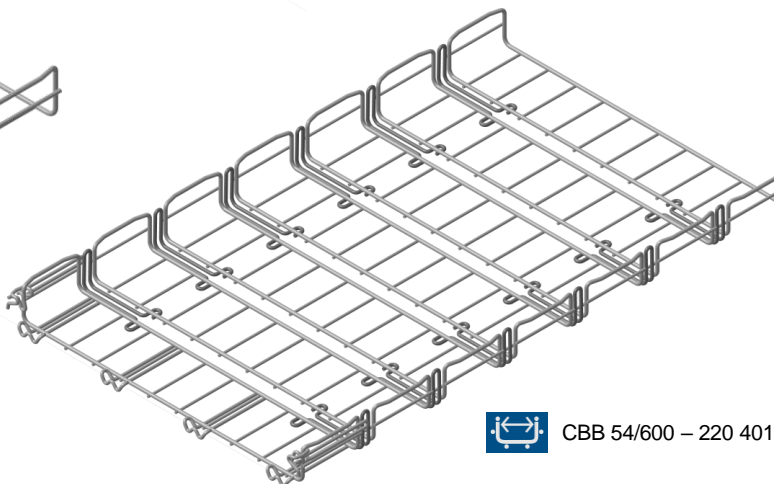
 CBB 54/450 – 220 251




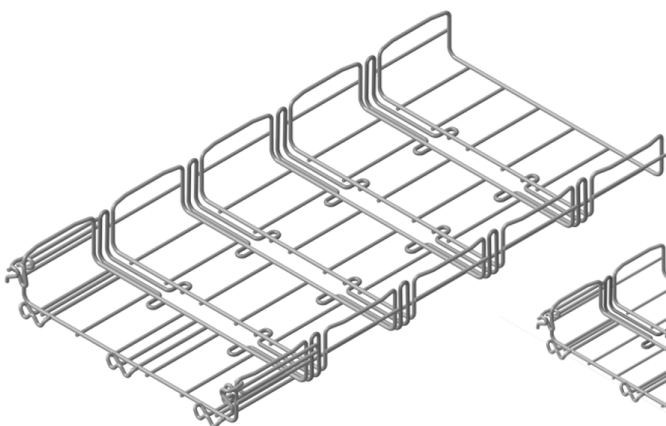
 CBB 54/200 – 220 091




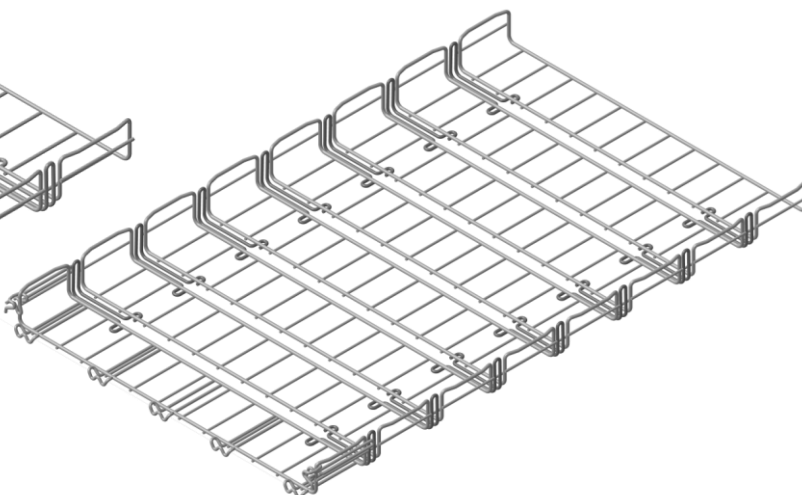
 CBB 54/500 – 220 301



 CBB 54/300 – 220 101

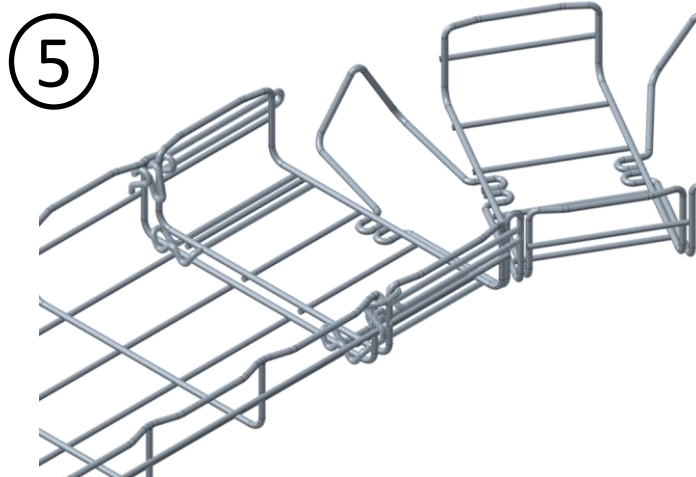
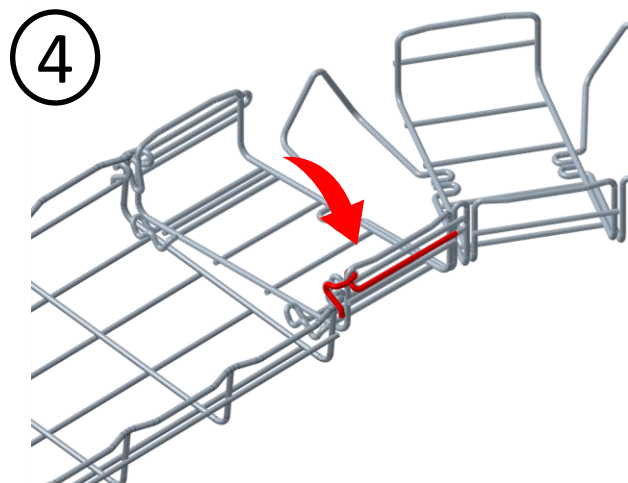
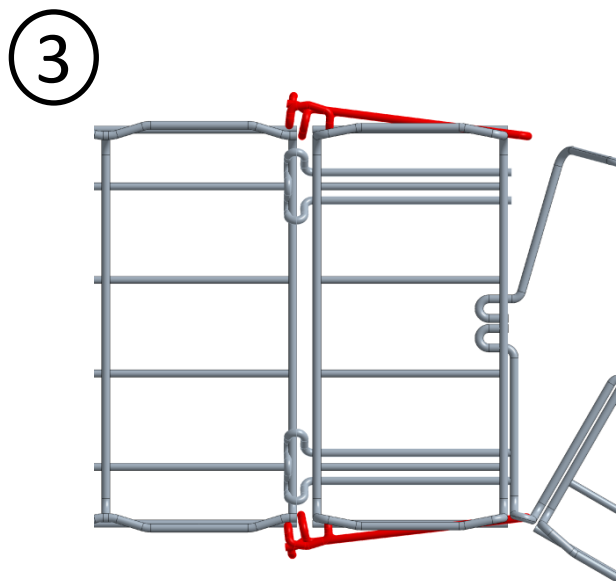
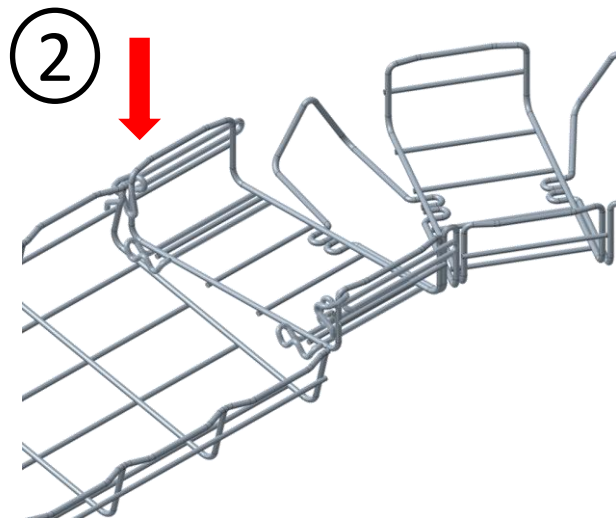
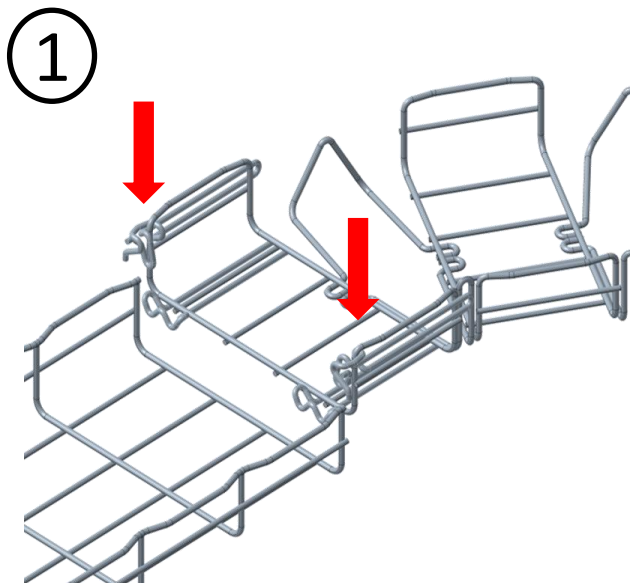


 CBB 54/600 – 220 401

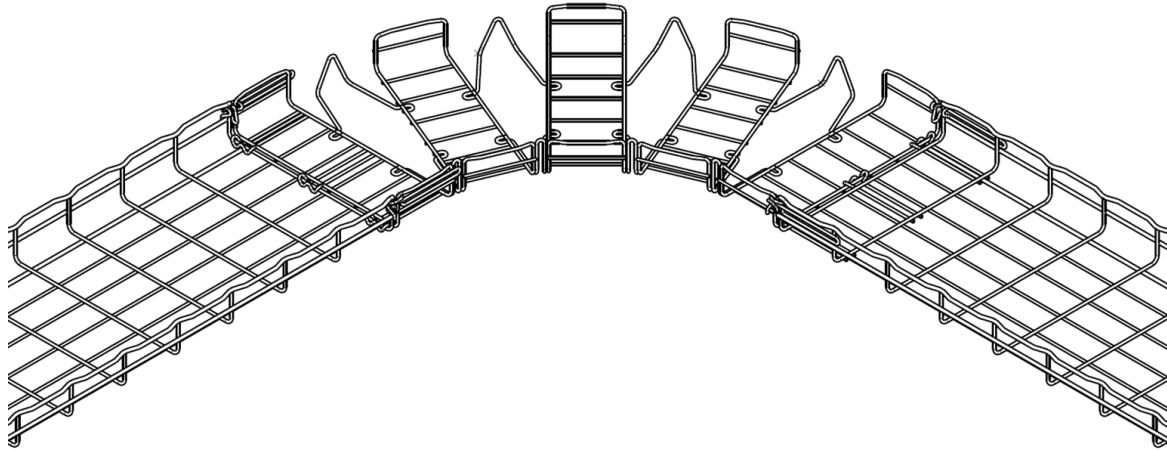


**4. INSTALLATION**

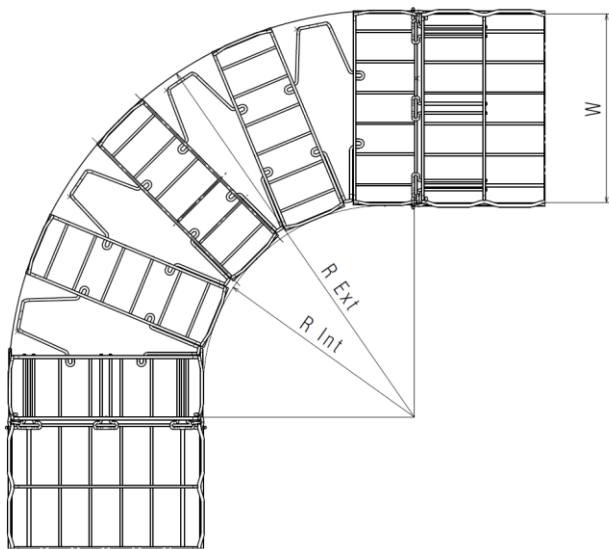
■ 4.1 FC+/CF



■ 4.2 Flat Bend



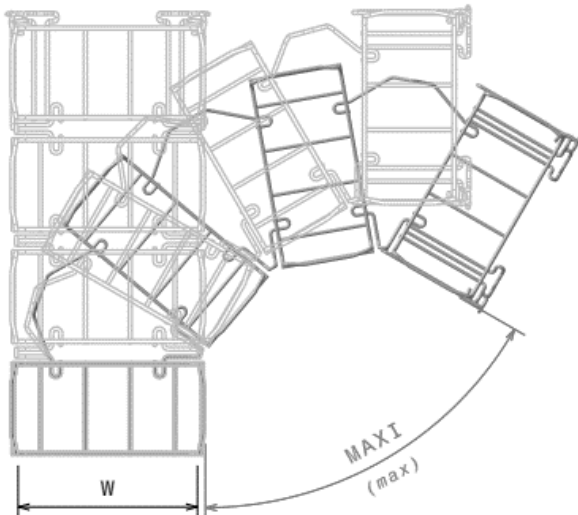
■ 4.2.1 90° Configuration



\* Following dimensions refer to Flat Bend 90° configuration only

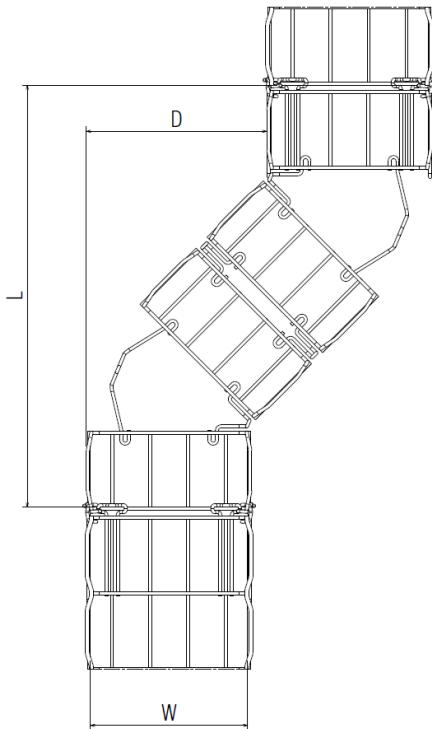
Width		Internal Radius		External Radius	
W		R Int		R Ext	
(mm)	(inch)	(mm)	(inch)	(mm)	(inch)
100	3,94	225	8,86	325	12,80
150	5,91	295	11,61	445	17,52
200	7,87	295	11,61	495	19,49
300	11,81	370	14,57	670	26,38
400	15,75	440	17,32	840	33,07
450	17,72	510	20,08	960	37,80
500	19,69	510	20,08	1010	39,76
600	23,62	600	23,62	1200	47,24

■ 4.2.2 Maximum angles configuration



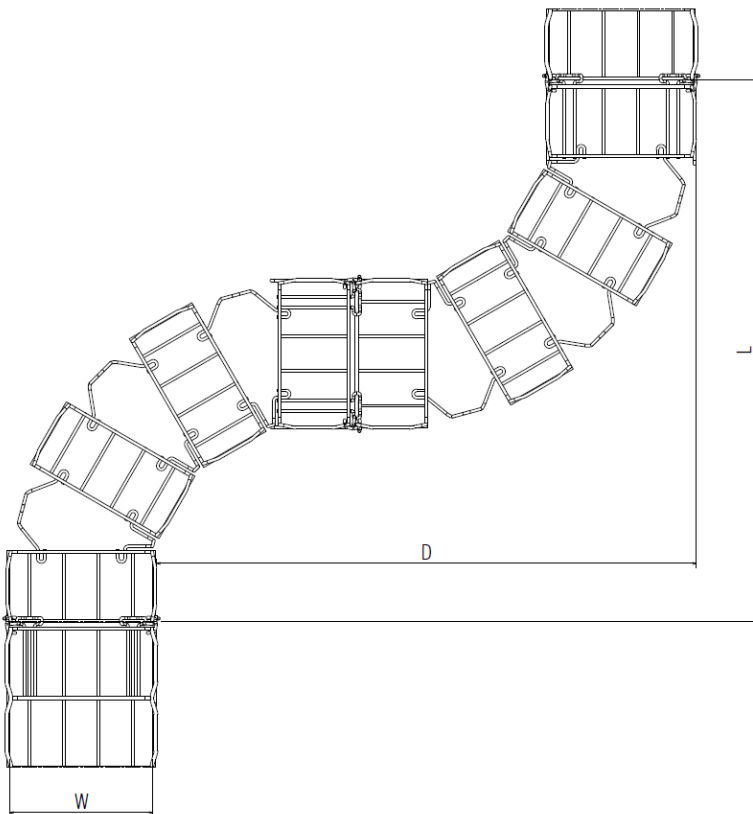
Width		Angle	
W		MAXI	
(mm)	(inch)	(Degrees)	(Radians)
100	3,94	120	2,09
150	5,91	120	2,09
200	7,87	120	2,09
300	11,81	110	1,92
400	15,75	110	1,92
450	17,72	110	1,92
500	19,69	110	1,92
600	23,62	110	1,92

■ 4.2.3 Clever configuration



Width		Distance		Length	
W		D		L	
(mm)	(inch)	(mm)	(inch)	(mm)	(inch)
100	3,94	85	3,35	415	16,34
150	5,91	175	6,89	550	21,65
200	7,87	175	6,89	600	23,62
300	11,81	200	7,87	710	27,95
400	15,75	200	7,87	900	35,43
450	17,72	260	10,24	1030	40,55
500	19,69	260	10,24	1080	42,52
600	23,62	260	10,24	1175	46,26

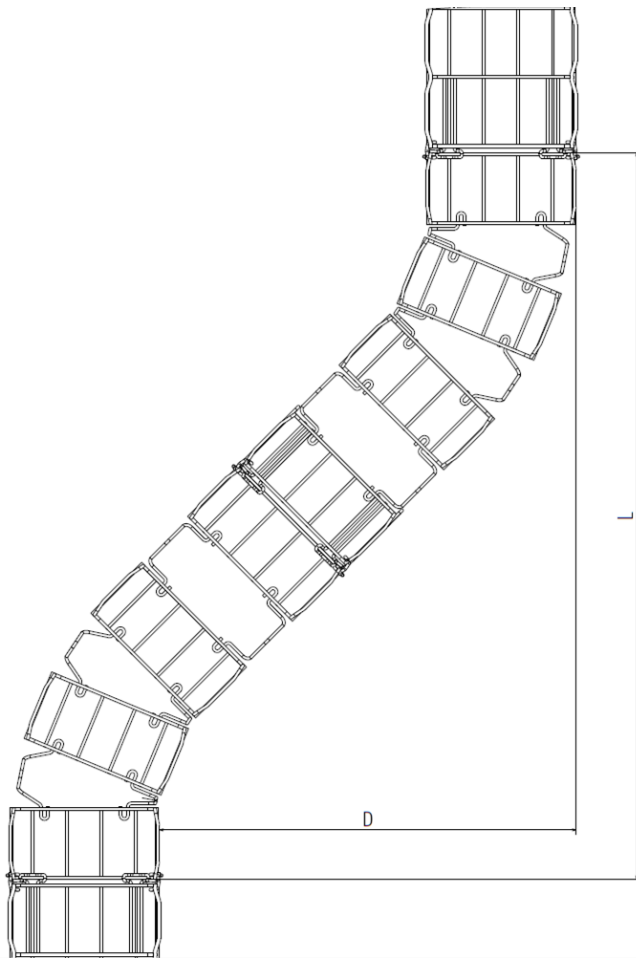
■ 4.2.4 Double 90° configuration



Width		Distance/Length	
W		D/L	
(mm)	(inch)	(mm)	(inch)
100	3,94	550	21,65
150	5,91	740	29,13
200	7,87	790	31,10
300	11,81	1040	40,94
400	15,75	1280	50,39
450	17,72	1470	57,87
500	19,69	1520	59,84
600	23,62	1800	70,87



■ 4.2.5 Duo Clever Configurations

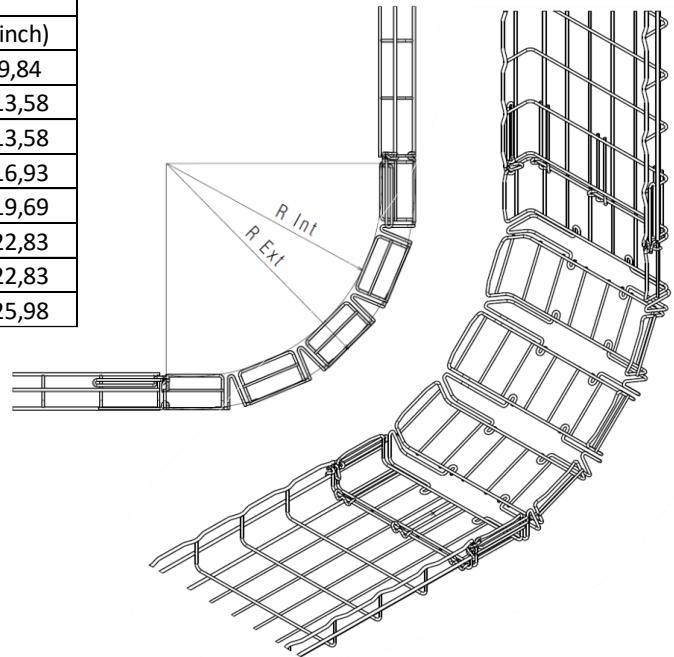


Width		Distance		Length	
W		D		L	
(mm)	(inch)	(mm)	(inch)	(mm)	(inch)
100	3,94	295	11,61	710	27,95
150	5,91	400	15,75	1010	39,76
200	7,87	600	23,62	1060	41,73
300	11,81	700	27,56	1330	52,36
400	15,75	850	33,46	1660	65,35
450	17,72	960	37,80	1920	75,59
500	19,69	975	38,39	1950	76,77
600	23,62	1100	43,31	2250	88,58

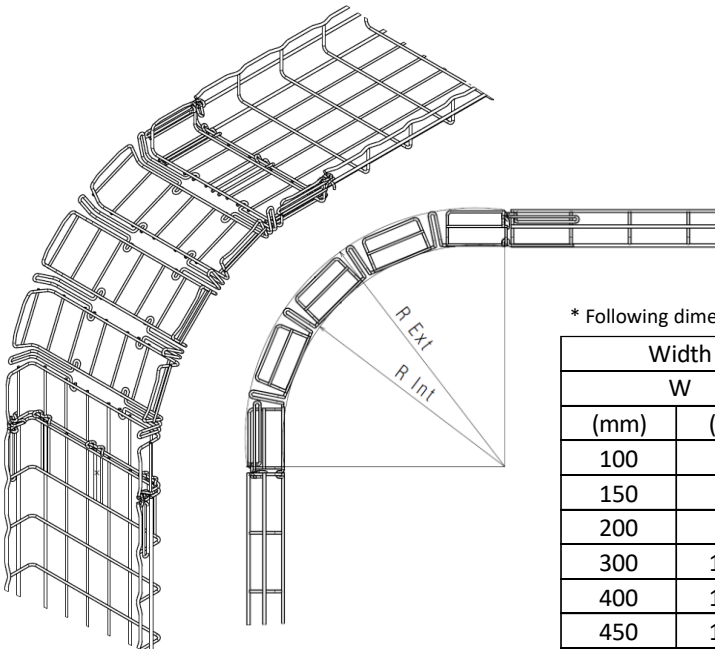
■ 4.3 Inside Riser

\* Following dimensions refer to Inside Riser 90° configuration only

Width		Internal Radius		External Radius	
W		R Int		R Ext	
(mm)	(inch)	(mm)	(inch)	(mm)	(inch)
100	3,94	186	7,32	250	9,84
150	5,91	281	11,06	345	13,58
200	7,87	281	11,06	345	13,58
300	11,81	366	14,41	430	16,93
400	15,75	436	17,17	500	19,69
450	17,72	516	20,31	580	22,83
500	19,69	516	20,31	580	22,83
600	23,62	596	23,46	660	25,98



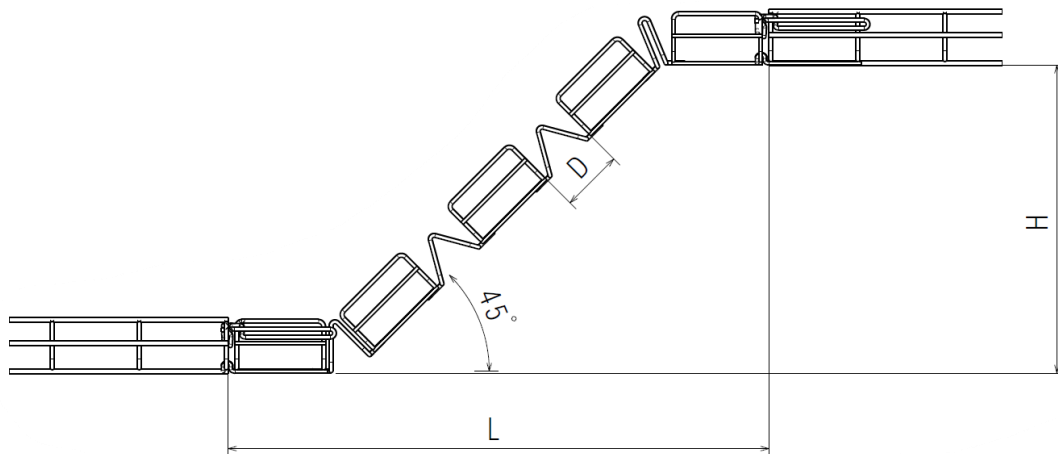
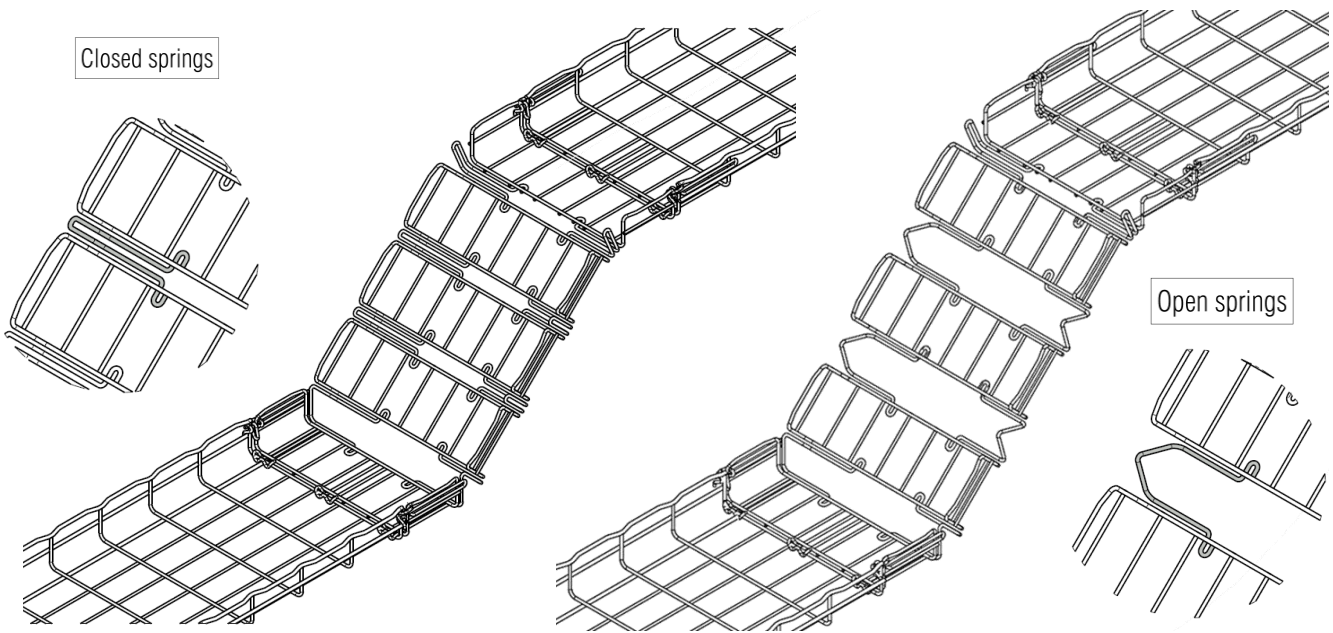
■ 4.4 Outside Riser



\* Following dimensions refer to Outside Riser 90° configuration only

Width		Internal Radius		External Radius	
W		R Int		R Ext	
(mm)	(inch)	(mm)	(inch)	(mm)	(inch)
100	3,94	200	7,87	264	10,39
150	5,91	370	14,57	434	17,09
200	7,87	370	14,57	434	17,09
300	11,81	390	15,35	454	17,87
400	15,75	485	19,09	549	21,61
450	17,72	560	22,05	624	24,57
500	19,69	560	22,05	624	24,57
600	23,62	610	24,02	674	26,54

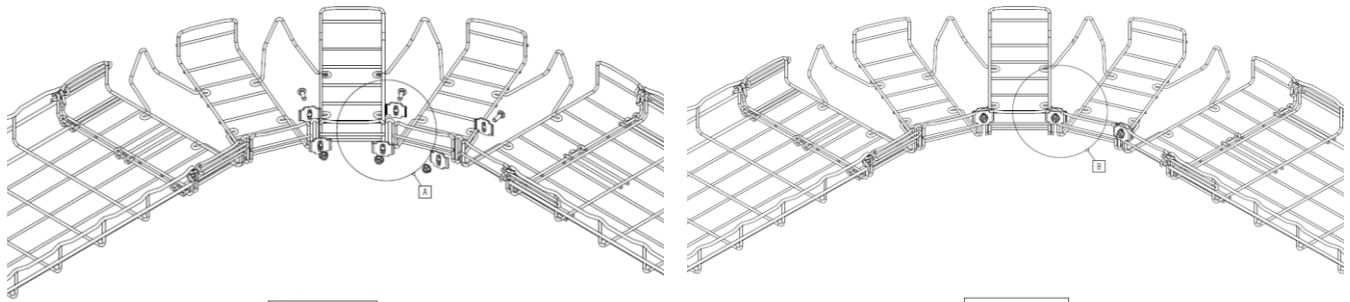
■ 4.5 Flexible Riser



W		Number of Basket	Mode	D distance		L		H	
(mm)	(inch)			(mm)	(inch)	(mm)	(inch)	(mm)	(inch)
100	3,94	3	Closed springs	---	---	373	14,69	109	4,29
			Open springs						
150	5,91	4	Closed springs	23	0,91	463	18,23	199	7,83
			Open springs	71	2,80				
200	7,87	4	Closed springs	23	0,91	463	18,23	199	7,83
			Open springs	71	2,80				
300	11,81	5	Closed springs	23	0,91	554	21,81	289	11,38
			Open springs	71	2,80				
400	15,75	6	Closed springs	23	0,91	644	25,35	379	14,92
			Open springs	71	2,80				
450	17,72	7	Closed springs	23	0,91	734	28,90	469	18,46
			Open springs	71	2,80				
500	19,69	7	Closed springs	23	0,91	734	28,90	469	18,46
			Open springs	71	2,80				
600	23,62	8	Closed springs	23	0,91	824	32,44	559	22,01
			Open springs	71	2,80				

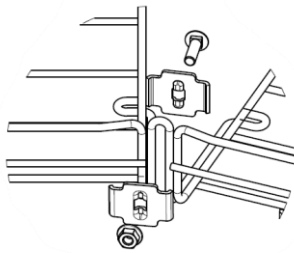


■ 4.6 CE35 as an internal radius



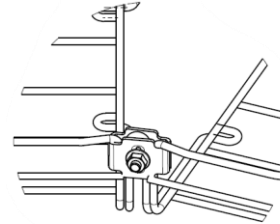
558 180 (PG)

Detail A



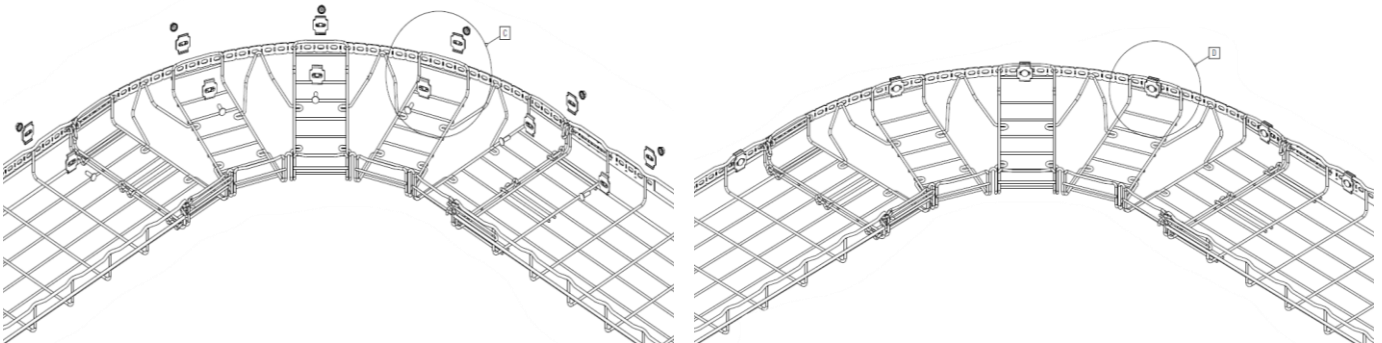
Width		Number of CE35 on internal
W		
(mm)	(inch)	
100	3,64	1
150	5,91	2
200	7,87	2
300	11,81	3
400	15,57	4
450	17,72	5
500	19,69	5
600	23,62	6

Detail B



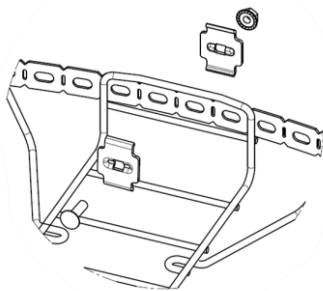
■ 4.7 Reinforcement Strip as an external radius

Fixed by a CE35



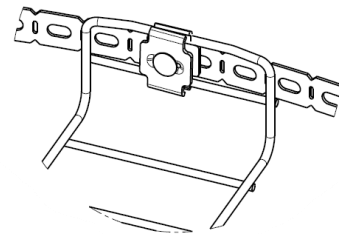
350 461 (PG)

Detail C



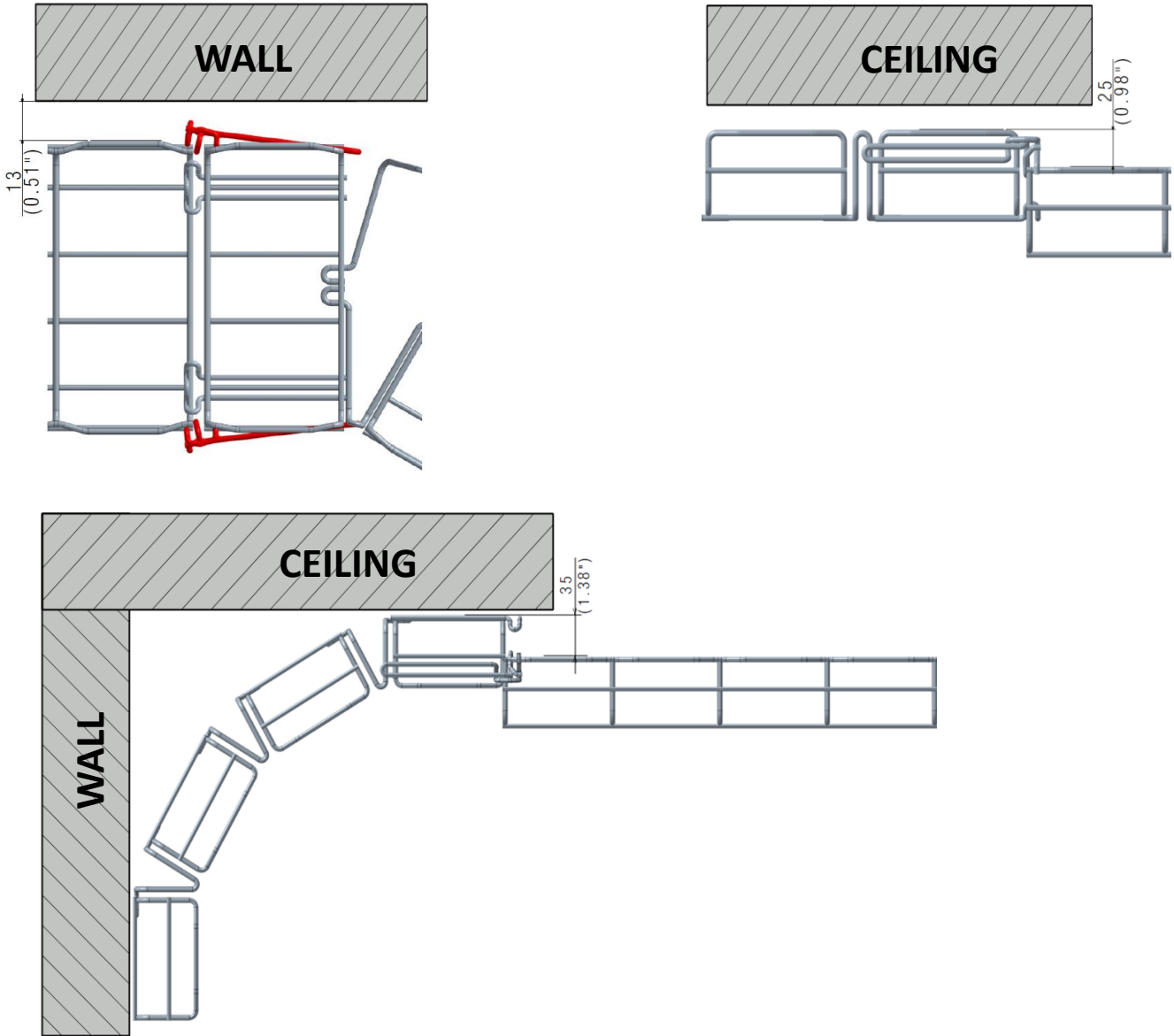
Width		Number of CE35 on external radius
W		
(mm)	(inch)	
100	3,64	4
150	5,91	5
200	7,87	5
300	11,81	6
400	15,57	7
450	17,72	8
500	19,69	8
600	23,62	9

Detail D



■ 4.8 Installation Wall / Ceiling

Dimensions to be left that allow assembly with Wall and Ceiling



**5. TECHNICAL DATA**

■ 5.1 Material characteristics

Material finish	Resistance class against corrosion	Material	Material standard
EZ	Class 3 / IEC 61537	C9D	EN ISO 1 61 20-2
HR	Class 8 / IEC 61537	C9D	EN ISO 1 61 20-2
SS304L	Class 9C/IEC 61537	X2 Cr Ni 18-9	EN 10 088-3
SS316L	Class 9D/IEC 61537	X2 Cr Ni Mo 17-12-2	EN 10 088-3

■ 5.2 Climatic characteristics

Storage and operating temperature : - 20° C à + 120° C

**6. CONFORMITIES**

Electrical continuity

- Following IEC 61537

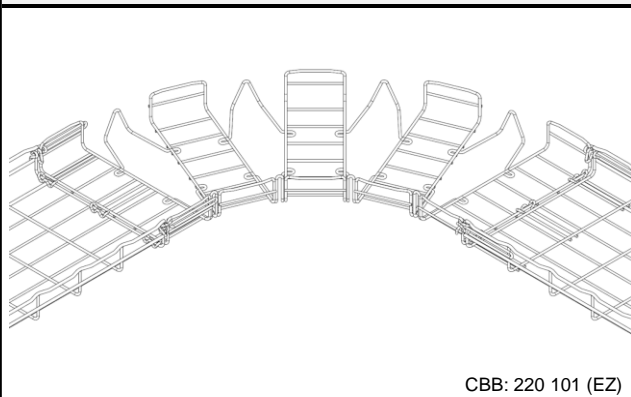
Comply with IEC 61537 Cable tray system

7. CAPACITY

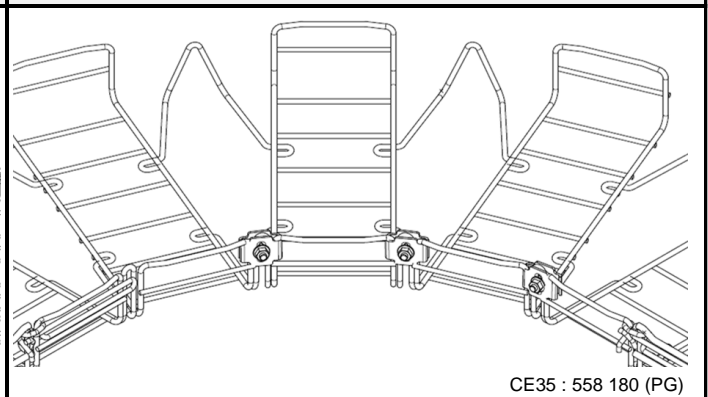
**CBB 54 CABLOBEND SETUP**

H mm	l mm	↓ (daN/m)	Possible configuration of installation	
			Version 1	Version 2
54	100	14	①	-
	150	20	①	③
	200	28	③	④
	300	41	② + ③	④
	400	54	② + ⑤	⑥
	450	61	② + ③ + ⑤	⑥
	500	68	② + ③ + ⑤	⑥
	600	81	② + ③ + ⑤	⑥

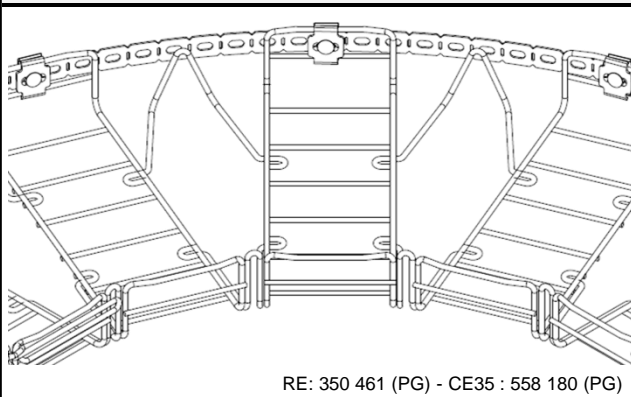
① - CBB



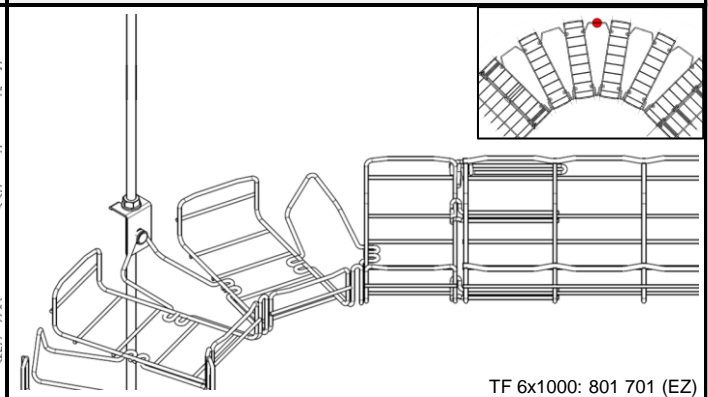
② - CBB + CE35 on inside radius



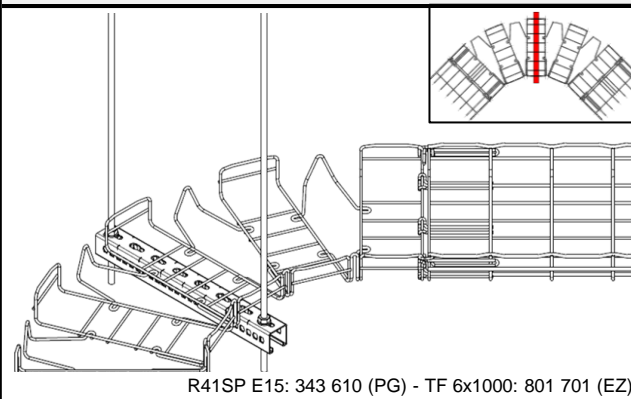
③ - CBB + RE + CE 35 on outside radius



④ - CBB + external support (e.g. threaded rod)



⑤ - CBB + R41SP + TF



⑥ - CBB + R41SP + TF

