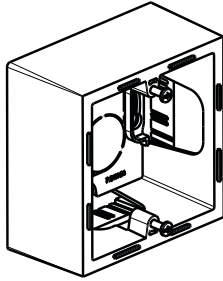
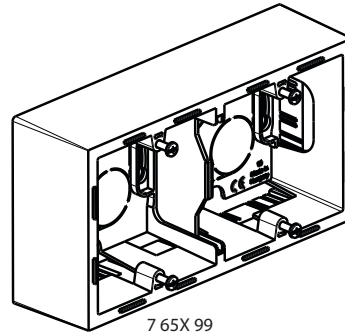


SEANO™ Surface mounting boxes

Cat. No(s): 7 65X 98/99



7 65X 98



7 65X 99

1. USE

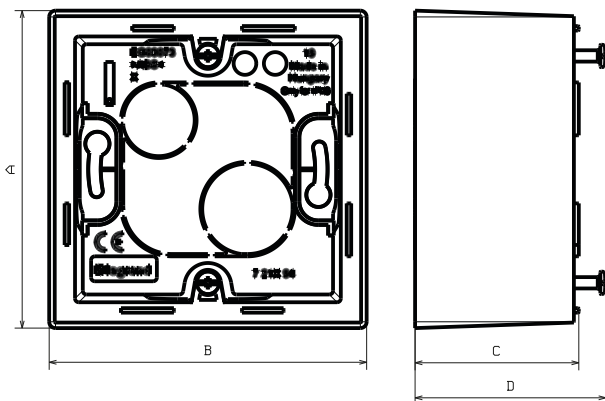
Horizontal or vertical mounting.
 Entry for installation on 15x10 mm, 20x10 mm, 32x15, 40x15 mm mini trunking and Ø 20 mm conduit.
 Boxes receive composable mechanisms.

2. RANGE

Description	White	Aluminum	Black	Dark Grey
Surface mounting boxe 1-gang	7 651 98	7 652 98	7 653 98	7 654 98
Surface mounting boxe* 2-gang	7 651 99	7 652 99	7 653 99	7 654 99

* 2-gang boxe supplied with divider for low and high current.

3. OVERALL DIMENSIONS (mm)



References	A	B	C	D
7 65X 98	83,95	83,95	43,3	50,5
7 65X 99	83,95	155	43,3	50,5

4. TECHNICAL CHARACTERISTICS

Material: ABS
 Divider: PS
 Colours: White RAL 903
 Painted aluminium (C010B)
 Painted black (C014A)
 Dark grey (C008A)