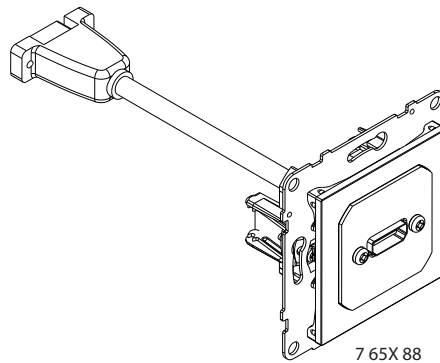


SEANO™ HDMI SOCKET (PRECABLED)

Cat. No(s): 7 65x 88



7 65X 88

1. USE

HDMI sockets are used to transmit High Definition digital audio/video streams between a source (computer, DVD or Blu-Ray player, etc) and a compatible receiver (TV, video projector, etc).

To ensure a high-quality result, the connection between the two devices should not exceed a certain distance (see audio/video characteristics table).

For longer connections, it is necessary to provide a booster system in the installation.

The connectors are type A and conform to the HDMI standard.

Equipped with a 15 cm cord and 2 female connectors.

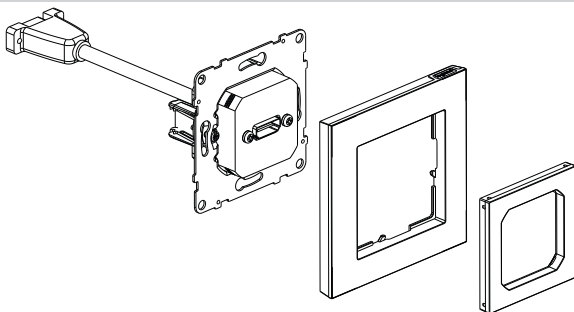
2. RANGE

| Description | White | Aluminum | Black | Dark Grey |
|------------------------------|----------|----------|----------|-----------|
| HDMI socket 1.3 preconnected | 7 651 88 | 7 652 88 | 7 653 88 | 7 654 88 |

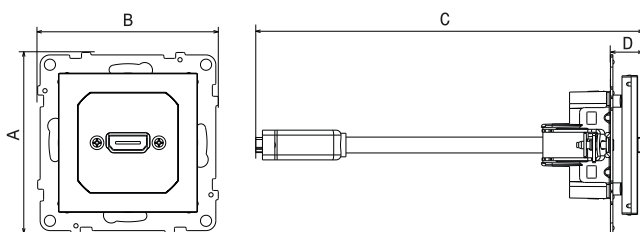
Fixing method: Clips

Connection method: Plug-in

3. DISMANTLING



4. DIMENSIONS (mm)



| References | A | B | C | D |
|------------|------|------|-------|------|
| 7 65X 88 | 72,9 | 72,9 | 156,3 | 13,2 |

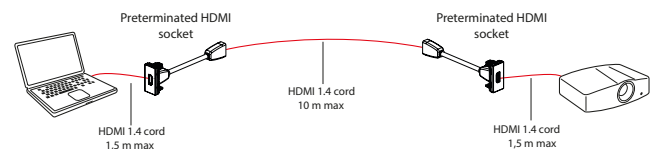
5. TECHNICAL CHARACTERISTICS

■ 5.1. Audio/Video characteristics

Values indicated for an installation set up in accordance with best practice and connected in compliance with existing standards. Any additional accessories and cords should comply with these same criteria.

HDMI version 1.4

Max. resolution (pixels): 1080 p



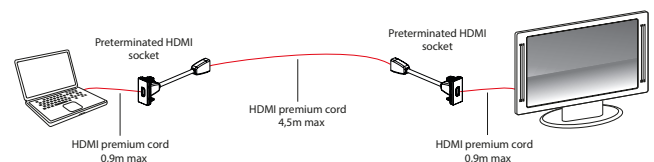
HDMI version 2.0

Max resolution (pixels): 2160p

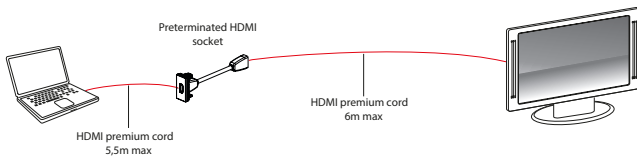
Format 16/9: 2160p, 60Hz, RGB

Format 21/9: 3840 x 2160p, 60Hz, RGB

Configuration 1



Configuration 2



■ 5.2 Mechanical characteristics

Min. depth of box : 50 mm

Protection against impact: IK04

Penetration by solid/liquid matter: IP 40

■ 5.3 Material characteristics

Polygloss appearance

Colour:

-Molded white: RAL 9003

-Painted aluminium: RAL 9023:

-Painted black: RAL 9017

-Painted dark grey: RAL 7016

Material:

-Cover: polycarbonate

-Base: Polycarbonate

Self-extinguishing: 650°C/30 s

■ 5.4 Climate characteristics

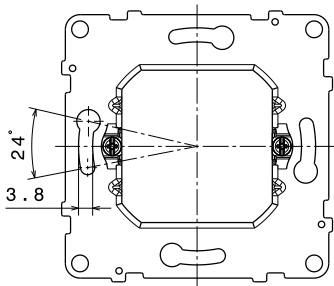
Storage temperature: -10°C to +70°C

Usage temperature: -5°C to +50°C

■ 5.5 Support

Material of support: - Metal

Angular adjusting:



6. MAINTENANCE

Clean the surface with a cloth.

Do not use:

Acetone, tar remover, trichloroethylene.

■ 6.1 Resistance to cleaning products

Resistant to the following products:

- Hexane (EN 60669-1)

- Methylated spirit

- Soapy water

- Diluted ammonia

- Bleach diluted to 10%

- Window-cleaning products

- Pre-impregnated wipes

■ 6.2 Resistance to hospital-grade cleaning products

- Anios

- Surfanios

- Bactilysine

- Hydrogen peroxide (35% oxygenated water)

Caution: Always test before using other special cleaning products.