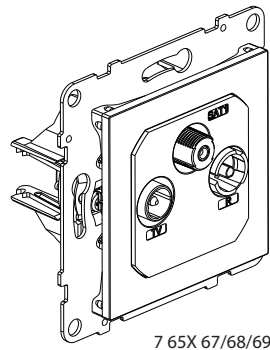
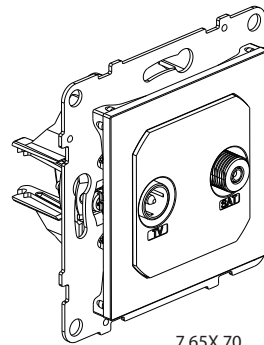


SEANO™
TV-SAT sockets, TV-R-SAT sockets

Cat. No(s): 7 65X 67, 7 65X 68
7 65X 69, 7 65X 70



7 65X 67/68/69



7 65X 70

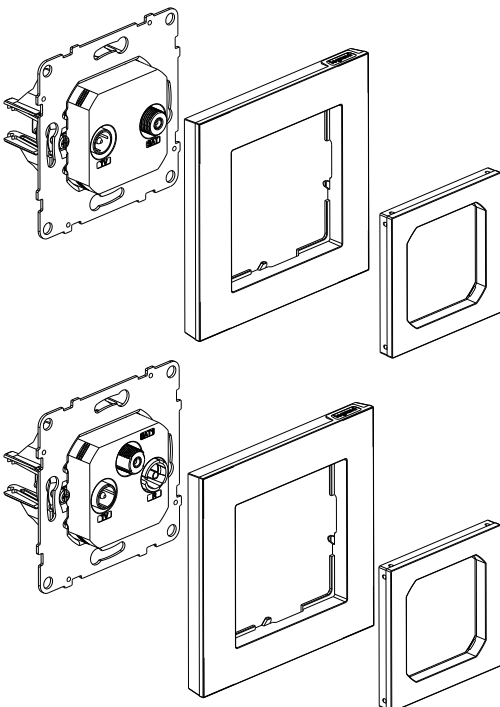
1. USE

TV/R/SAT + DAB+: for receiving TV, radio and satellite signals.
 UHD (ultra high definition) compatible.
 Class A shielded star sockets LTE Ready (4G protected).
 Recommended coaxial cable 17/19 VATC. Single cable entry.
 Can be flush mounted in a box min. 40 mm deep.
 Fixing with screw and/or claw.

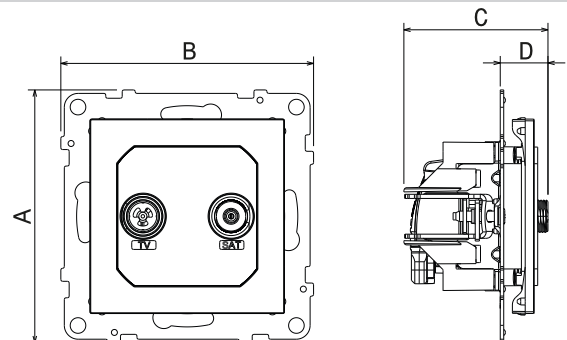
2. RANGE

Description	White	Aluminum	Black	Dark Grey
TV-R-SAT MALE STAR	7 651 67	7 652 67	7 653 67	7 654 67
TV-R-SAT MALE PASSTHROUGH 14dB	7 651 68	7 652 68	7 653 68	7 654 68
TV-R-SAT MALE TERMINAL 10dB	7 651 69	7 652 69	7 653 69	7 654 69
TV-SAT MALE STAR 2 CABLES	7 651 70	7 652 70	7 653 70	7 654 70

3. DISMANTLING

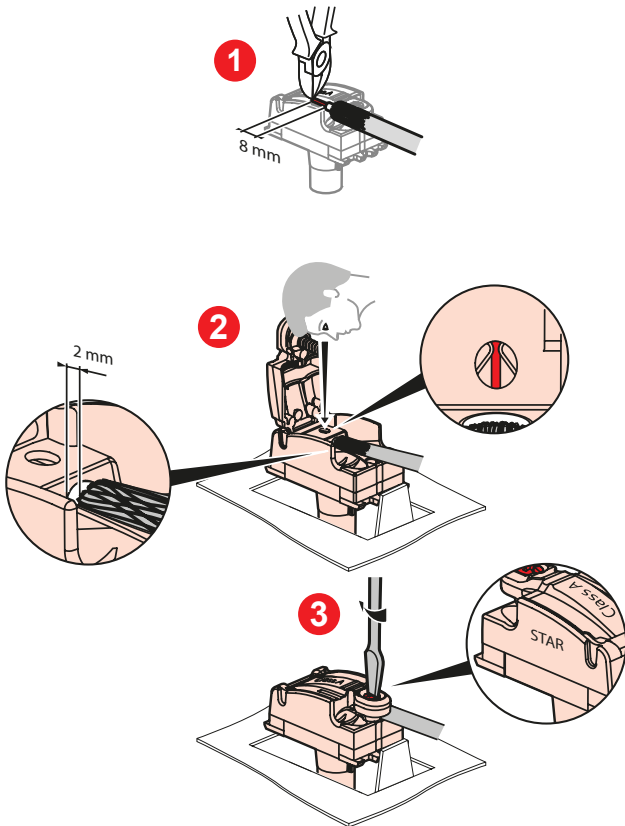


4. DIMENSIONS (mm)

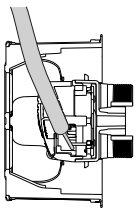
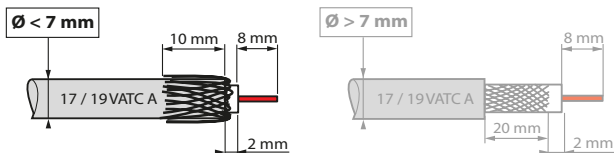


References	A	B	C	D
7 65X 67	72,9	72,9	42,8	15
7 65X 68/69/70	72,9	72,9	41,5	13,7

5. CONNECTION



6. WIRING PRECAUTIONS



By restricting deformation of the coaxial cable, the rear connection avoids impedance discontinuity, thereby sustaining performance

7. TECHNICAL CHARACTERISTICS

7.1 Mechanical characteristics

Protection against solid bodies and liquids: IP20

Protection against impact: IK04

Cable resistance: 120 N

7.2 Material characteristics

Polygloss appearance

Colour:

- Molded white	RAL 9003
- Painted aluminum	RAL9023
- Painted black	RAL9017
- Painted dark Grey	RAL7016

Material: - Cover: PC
- Base: Polycarbonate
- Halogen-free
- UV-resistant

Motor: - Casing: zamac
- Cover: zamac
- Pin: bronze
1- screw: galvanized steel

Self-extinguishing:

850°C/30 s for insulating components holding live parts in place

650°C/30 s for other insulating components

7.3 Electrical characteristics

- Impedance : 75 ohm

- Male connector \varnothing 9.52 mm

- Class A shielding efficiency (class A shielding is necessary to prevent interference caused by using 3 and 4 G phone signals, as these unwanted signals can result in pixellation on screen or adversely affect the sound track).

- Frequency bands: TV: 5-68/120-862 MHz

- Low attenuation: < 1 dB maximum

- Compatible with remote power supply

7.4 Climate characteristics

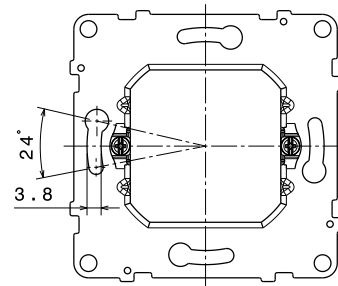
Usage temperature: - 5°C to + 35°C

Storage temperature: - 10°C to + 70°C

7.5 Support

Material of support: -Metal

Angular adjusting:



8. MAINTENANCE

Surface cleaning with a cloth.

Do not use:

Acetone, tar remover, trichloroethylene.

Maintenance with the following products:

Hexane (EN 60669-1), Methylated spirit, Soapy water, Diluted ammonia, Bleach diluted to 10%, Window-cleaning products.

Caution: Always test before using other special cleaning products.

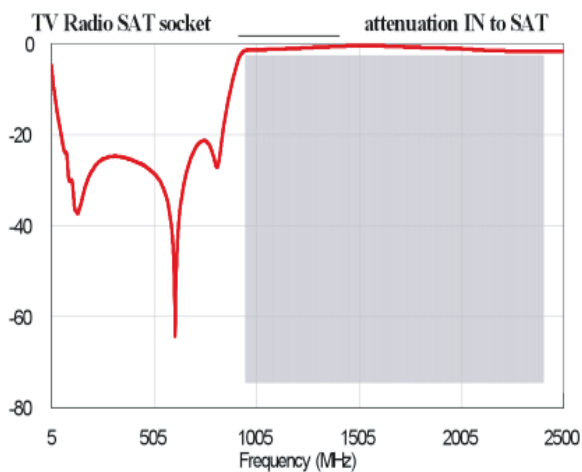
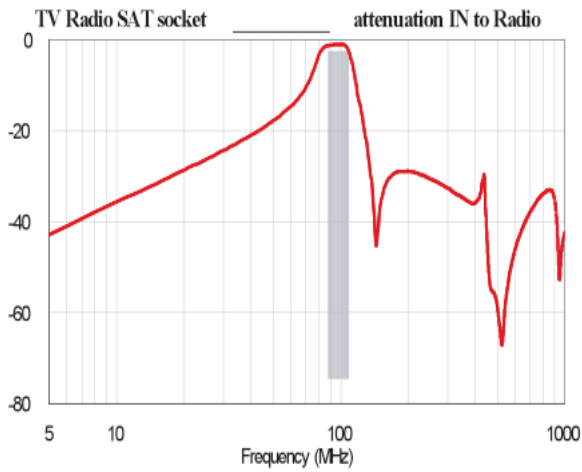
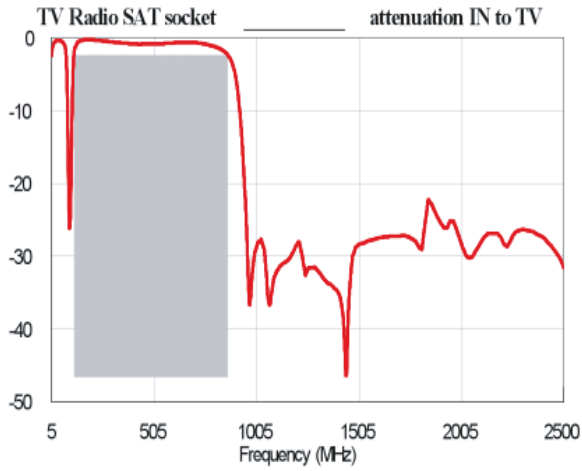
9. STANDARDS AND APPROVALS

Compliant with installation and manufacturing standards.

Refer to e. catalogue.

10. STANDARDS AND APPROVALS

Single male TV socket



Prises TV Radio DAB

