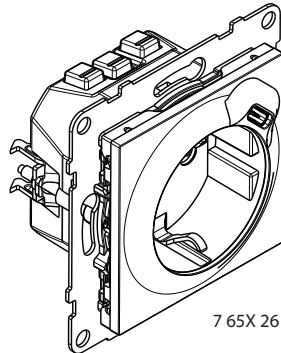


SEANO™

Cat. No(s): 7 65X 26

**2 P+E USB Type-C mixed socket outlet  
 German Standard**



7 65X 26

**1. USE**

2 P+E socket outlets with shutter system.

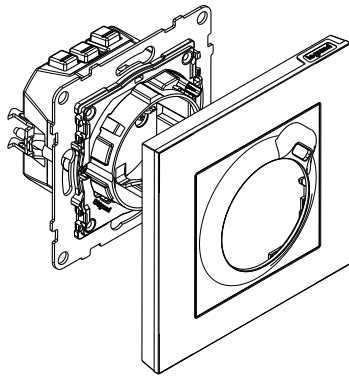
USB Type C socket: for recharging portable devices such as phones, smartphones, tablets, MP3, MP4, loudspeakers, watches, game consoles, powerbanks.

Recessed mounting in box depth 40 mm min. Fixing with screws and/or claws.

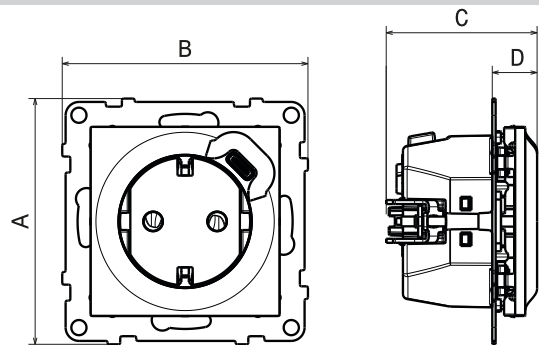
**2. RANGE**

Description	White	Aluminum	Black	Dark Grey
COMBINED SOCKET 2P+E SCHUKO STANDARD AUTO TERMINALS SHUTTERED + USB TYPE C	7 651 26	7 652 26	7 653 26	7 654 26

**3. DISMANTLING**



**4. DIMENSIONS (mm)**



References	A	B	C	D
7 65X 26	72,9	72,9	44,8	13,3

## 2 P+E USB Type-C mixed socket outlet German Standard

### 5. CONNECTION

#### ■ 5.1 2 P+E socket outlet

Type of terminals: automatics  
Terminal capacity: 6 x 2.5 mm<sup>2</sup>  
Stripping length: 11 mm  
Flexible or rigid cables compatible

#### ■ 5.2 Type C USB socket

Prewired socket

### 6. TECHNICAL CHARACTERISTICS

#### ■ 6.1 Mechanical characteristics

Protection against impact: IK 04  
Protection against solid bodies and liquids: IP 20

#### ■ 6.2 Material characteristics:

Polygloss appearance  
Mechanism casing: PC  
Colour molded:  
-White RAL9003  
Matt colour painted:  
-Aluminium RAL9023  
-Black RAL9017  
-Dark grey RAL7016

#### Material:

-Plate ABS  
-Socket cover plate: Polycarbonate  
-Halogen-free  
-UV-resistant

Support: -Metal

Claws: -Steel

#### Self-extinguishing:

850°C/30 s for insulating components holding live parts in place  
650°C/30 s for other insulating components

#### ■ 6.3 Electrical characteristics 2 P+E socket

Voltage: 250 V~  
Current: 16 A  
Frequency: 50/60 Hz

#### ■ 6.4 Electrical characteristics USB socket

Integrated surge protection

All values listed below are measured at an ambient temperature of + 20° and after 30 minutes of operation.

Nominal input voltage	100-240 V~
Nominal input frequency	50/60 Hz
Nominal output voltage	5.0 V=
Nominal input current	0.2 A
Maximum output current Type-C	1.5 A
Power consumption	7.5 W
Average efficiency in active mode	80.3%
Stand-by power consumption	< 0.07 W
Consumption class without load and average level of efficiency: Level VI*	
Protection class	II - Low voltage

\***Note:** European Regulation No. 278/2009 of 6 April 2009, Directive 2009/125/EC on eco-design requirements for AC/DC power supplies.

**Note:** To optimize the charging time of your device, ensure turn it off during the charging phase.

### 7. MAINTENANCE

Surface cleaning with a cloth.

Do not use:

Acetone, tar remover, trichloroethylene.

Maintenance with the following products:

Hexane (EN 60669-1), Methylated spirit, Soapy water, Diluted ammonia, Bleach diluted to 10%, Window-cleaning products.

**Caution:** Always test before using other special cleaning products.

### 8. STANDARDS AND APPROVALS

Compliant with installation and manufacturing standards.  
See e-catalogue.