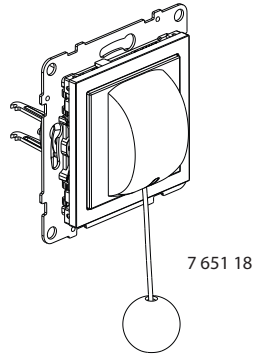


SEANO™
Pull cord push button

Cat. No(s): 7 651 18



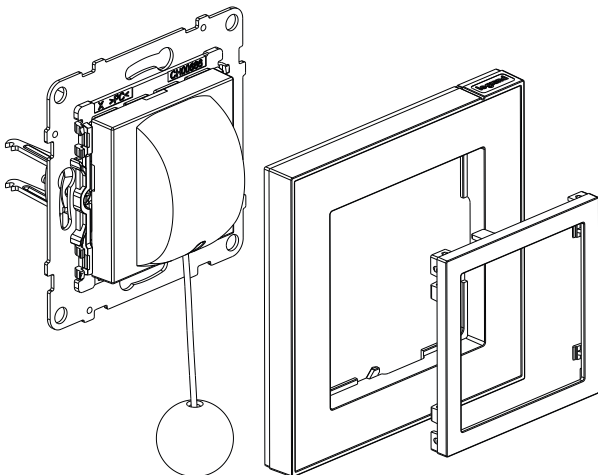
1. USE

Lighting controls mechanism 6 A.
 Flush-mounting or surface-mounting.
 Screw and/or claw fixing.

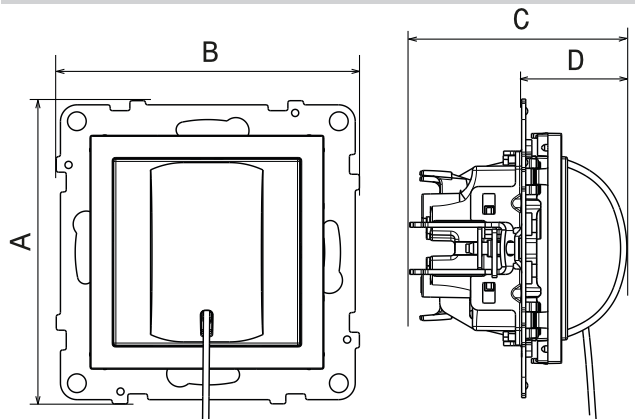
2. RANGE

Description	White
PULL-CORD CHANGEOVER PUSH-BUTTON	7 651 18

3. DISMANTLING



4. DIMENSIONS (mm)



References	A	B	C	D
7 651 18	72,9	72,9	53	25,7

5. CONNECTION

Flexible or rigid cables compatible.

TYPE OF TERMINALS:

Auto terminal

TERMINAL CAPACITY:

2 x 2.5mm²/terminal

STRIPPING LENGTH:

13mm

6. TECHNICAL CHARACTERISTICS

■ 6.1 Mechanical characteristics

Protection against solid bodies and liquids: IP 20

Protection against impact: IK 04

■ 6.2 Material characteristics

Polygloss appearance

Colour molded:

- White RAL 9003

Material:

- Rocker ABS
- Base: Polycarbonate
- Halogen-free
- UV resistant

Self-extinguishing:

850°C/30 s for insulating components holding live parts in place

650°C/30 s for other insulating components

■ 6.3 Electrical characteristics

Voltage: 250 V~

Current: 6 A

Frequency: 50/60 Hz

Max. power for self-ballasted lamps: 100 W

■ 6.4 Climate characteristics

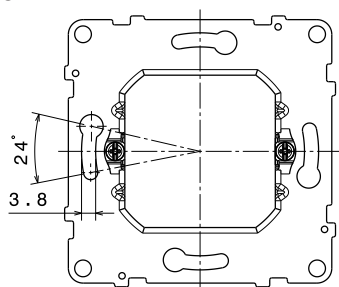
Usage temperature: - 5°C to + 35°C

Storage temperature: - 10°C to + 70°C

■ 6.5 Support

Material of support: -Metal

Angular adjusting:

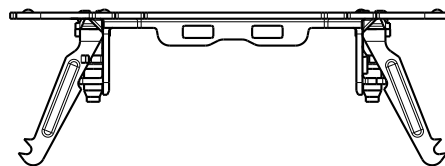


■ 6.6 Fixing with claws

Number of turns to open the claws:

- 58 mm > 2,1 turns

- 65 mm > 2,75 turns



7. MAINTENANCE

Surface cleaning with a cloth.

Do not use:

Acetone, tar remover, trichloroethylene.

Maintenance with the following products:

Hexane (EN 60669-1), Methylated spirit, Soapy water, Diluted ammonia, Bleach diluted to 10%, Window-cleaning products.

Caution: Always test before using other special cleaning products.

8. STANDARDS AND APPROVALS

Compliant with installation and manufacturing standards.

Refer to e. catalogue.