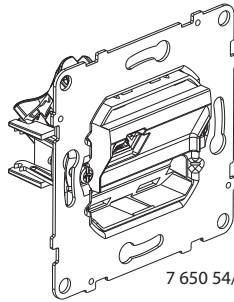
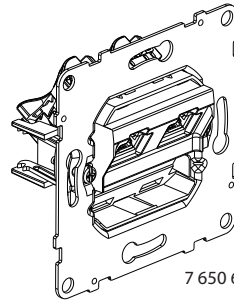


SEANO™
Data sockets
RJ11;RJ45 Cat5E UTP/Cat6 UTP/Cat6A UTP/
CAT6 STP/CAT6A STP

Cat. No(s): 7 650 54/55/56/57/58/59/60/61/62/63/64/89



7 650 54/55/56/57/58/63



7 650 60/61/62/64/89

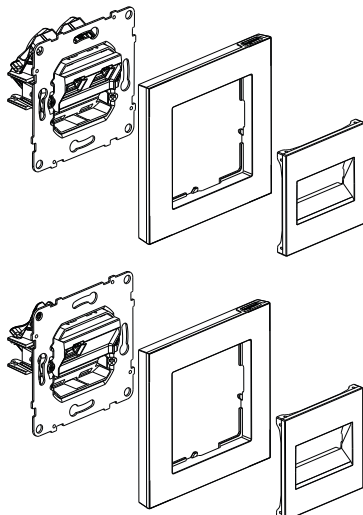
1. USE

Category 6 RJ45 socket.
 Allows high-speed transmissions (Gigabit Ethernet).
 Can be flush mounted in a box min. 40 mm deep.
 To be equipped with plate.

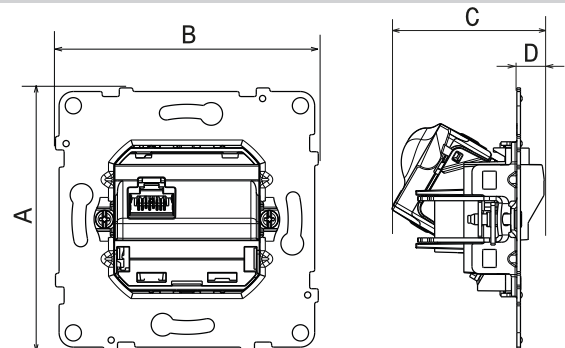
2. RANGE

Description	Mechanism Only
RJ11	7 650 54
RJ45 CAT5E UTP	7 650 55
RJ45 CAT6 UTP	7 650 56
RJ45 CAT6A UTP	7 650 57
RJ45 CAT6A STP	7 650 58
RJ45 CAT6 STP	7 650 63
2xRJ45 CAT5E UTP	7 650 59
2xRJ45 CAT6 UTP	7 650 60
2xRJ45 CAT6A UTP	7 650 61
2xRJ45 CAT6A STP	7 650 62
2xRJ45 CAT6 STP	7 650 64
RJ11 + RJ45 CAT6 UTP	7 650 89

3. DISMANTLING



4. DIMENSIONS (mm)



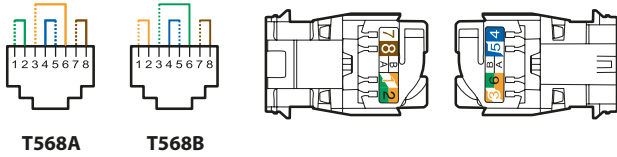
References	A	B	C	D
7 650 54	72,9	72,9	35,6	7,6
7 650 55/56/57/59/60/61/89	72,9	72,9	40,6	7,6
7 650 58/62/63/64	72,9	72,9	42,2	7,6

SEANO™
Data sockets
RJ11;RJ45 Cat5E UTP/Cat6 UTP/Cat6A UTP/
CAT6 STP/CAT6A STP

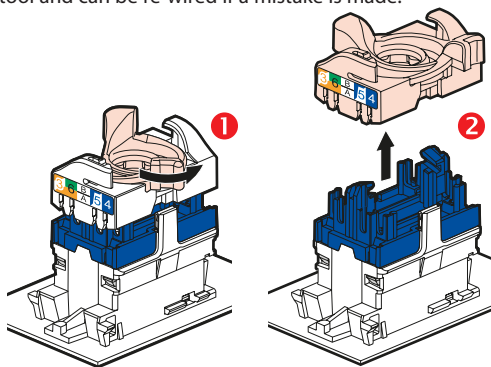
Cat. No(s): 7 650 54/55/56/57/58/59/60/61/62/63/64/89

5. CONNECTION

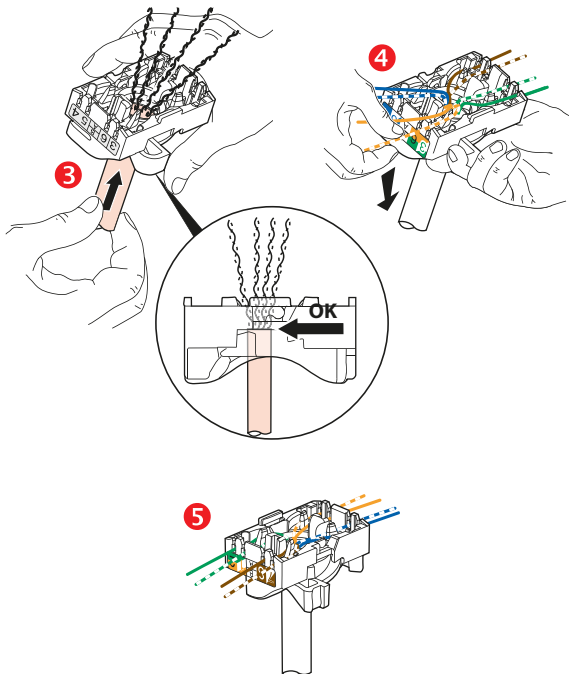
Accepts the following cable connectors:
 RJ 11 (4 contacts), RJ 12 (6 contacts), RJ 45 (9 contacts).
 Double colour code T568A and T568B on terminals:
 UTP 8 contacts
 FTP 9 contacts
 STP 9 contacts 360° screen



Conductors supported:
 - Single core/Multicore: 0.4 to 0.65 mm, AWG 26 to 22
 - Polyethylene conductor insulation: Ø on insulation 0.85 to 1.7 mm
 RJ45 connectors are equipped with a locking nut. They do not require a special tool and can be re-wired if a mistake is made.



This system makes it easy to spread pairs before fitting them onto the connector.



6. TECHNICAL CHARACTERISTICS

6.1 Mechanical characteristics
 Protection against impacts: IK 03
 Protection against solid/bodies and liquids: IP 20
 Maximum number of connections and disconnections: 5 without replacing the wire.
 Endurance: 2500 operations (plugging in/unplugging).

6.2 Material characteristics

Material: - Cover: ABS
 - Base: Polycarbonate
 - Halogen-free
 - UV resistant

Colour: -Molded white RAL 9003
 -Painted aluminium RAL 9023
 -Painted black RAL 9017
 -Painted dark grey RAL 7016

Motor: -Casing: zamac
 -Cover: zamac
 -Pin: bronze
 1- screw: galvanized steel

Self-extinguishing:
 850°C/30 s for installing components holding live parts in place
 650°C/30 s for other insulating components

6.3 ELECTRICAL CHARACTERISTICS

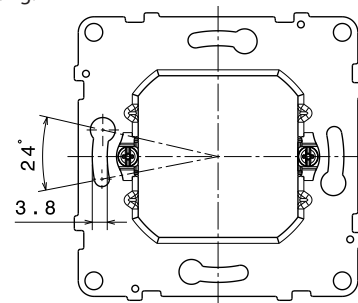
Breakdown voltage 1000 VDC
 Contact resistance 20 mΩ
 Insulation resistance 500 mΩ at 100 VDC
 Tested and independently certified to comply with IEC 60512-99-001 and IEC 60512-99-002 for PoE support up to 90 W (Type 4).

6.4 Climate characteristics

Usage temperature: - 5°C to + 35°C
 Storage temperature: - 10°C to + 70°C

6.5 Support

Material of support: -Metal
 Angular adjusting:



7. MAINTENANCE

Surface cleaning with a cloth.

Do not use:
 Acetone, tar remover, trichloroethylene.

Maintenance with the following products:
 Hexane (EN 60669-1), Methylated spirit, Soapy water, Diluted ammonia, Bleach diluted to 10%, Window-cleaning products.

Caution: Always test before using other special cleaning products.

8. STANDARDS AND APPROVALS

Connectors are compliant to requirements for the following remote powering applications:
 IEEE 802.3af , IEEE 802.3at , IEEE 802.3bt : "Power over Ethernet", Type 1 to 4, up to 90 W.
 Compliant with installation and manufacturing standards.
 See e-catalogue.

■ 8.1 Performance of components (RJ 45 connectors)

