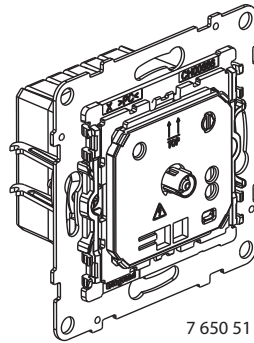


SEANO™
THERMOSTAT (NORMAL)
 German standard

Cat. No(s): 7 650 51



7 650 51

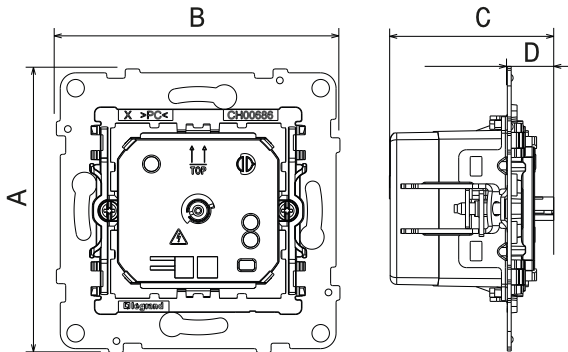
1. USE

Regulation control heating equipment or cooling system.
 Mechanisms to be equipped with finishes

2. RANGE

Description	Mechanism Only
Standard thermostat.	7 650 51

3. DIMENSIONS (mm)



References	A	B	C	D
7 650 51	72,9	72,9	46,65	16,45

4. CONNECTION

Number of terminals:
5

Type of terminals:
with screws

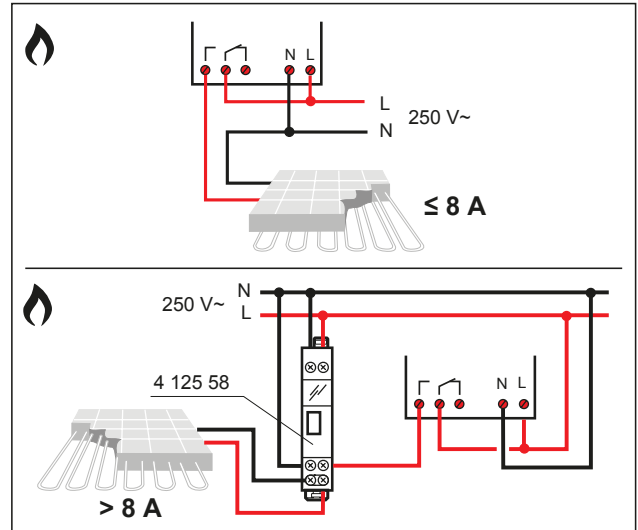
Terminal capacity:
2 x 1.5 mm² flexible or rigid cable

Stripping length:
6 mm

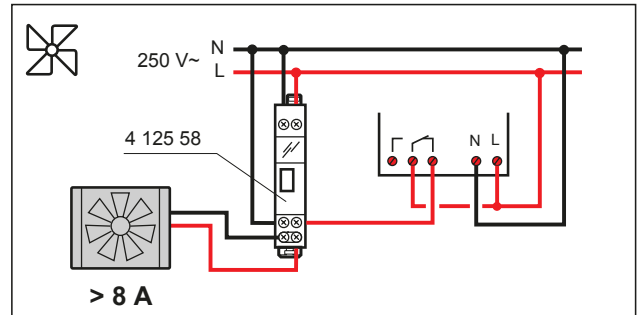
Tool:
flat screwdriver 3.5 mm

5. WIRING

Heating:



Cooling system:



6. FUNCTION

The thermostat (heating/cooling) is equipped with a temperature sensor and provides a changover relay switched depending on the ambient temperature

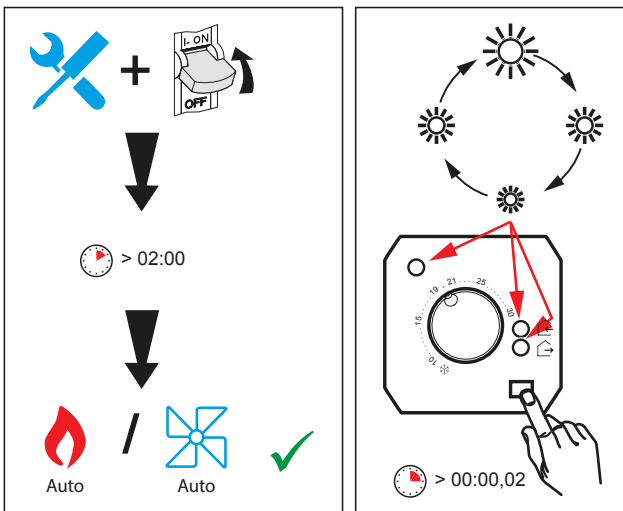
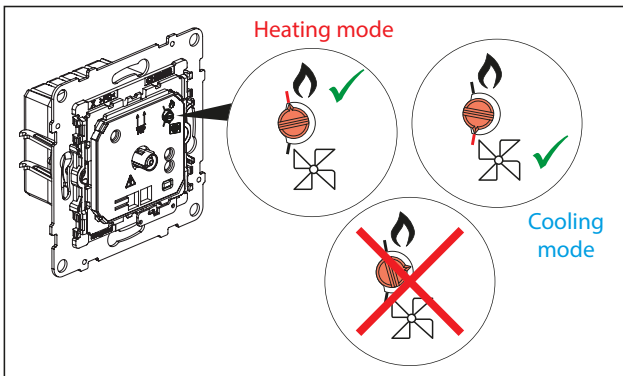
The regulation is ensured by an algorithm with a pulse-width controlled output (0...100% thus ensuring a minimal temperature variation relative to the ambient temperature

Setting range 10-30 °C by using the rotary knob

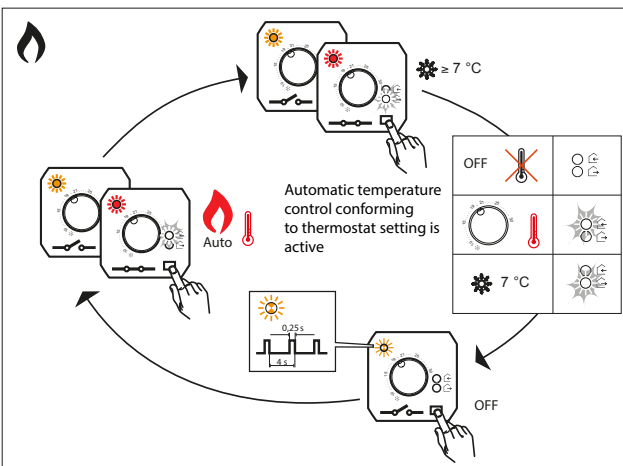
A short press on the "select" button cycles between the modes comfort -> frost -> off -> comfort and so on.

A long press on the "select" button adjusts the brightness of the LEDs.
 Regulation accuracy: < 0.5° C for a conventional installation and maximum load of 8 A

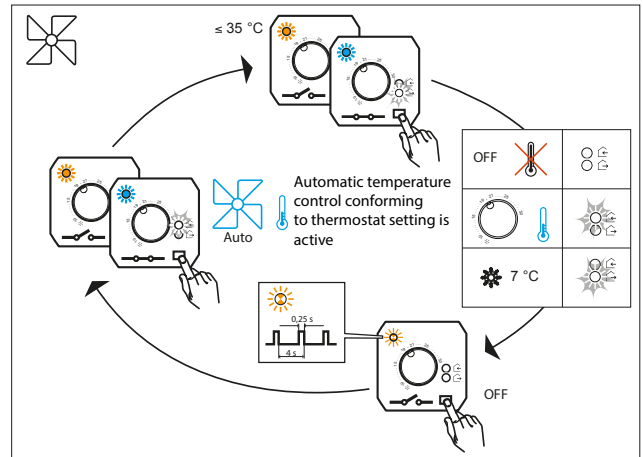
Heating/cooling change by rotating knob under the frontcover



Heating mode:



Cooling mode:



Legend LED



7. TECHNICAL CHARACTERISTICS

■ 7.1 Mechanical characteristics

Protection against solid bodies and liquids: IP 21
 Protection against impacts: IK 04

■ 7.2 Material characteristics

Polycarbonate
 - Mechanism casing: PC
 - Support: PC grey RAL 7037 + metal
 - Claws: Steel

Halogen free
 UV resistant
 Self-extinguishing:
 + 850° C / 30 s for insulating parts holding live parts in place
 + 650° C / 30 s for other parts made of insulating materials.

■ 7.3 Electrical characteristics

Voltage: 250 V~
 Current: 16 A
 Frequency: 50/60 Hz

■ 7.3 Climatic characteristics

Storage and usage temperature: - 10° C to + 70° C
 Cooling temperature: - 5° C to + 40° C

8. CLEANING

Surface cleaning with a cloth.

Do not use:

Acetone, tar remover, trichloroethylene.

Maintenance with the following products:

Hexane (EN 60669-1), Methylated spirit, Soapy water, Diluted ammonia, pure bleach diluted to 10%, Window-cleaning products, pre-impregnated wipes.

Caution: A preliminary test should be carried out if other specific cleaning products are to be used

9. STANDARDS AND APPROVALS

Compliance with standards of installation and manufacturing.

Refer to e-catalogue.