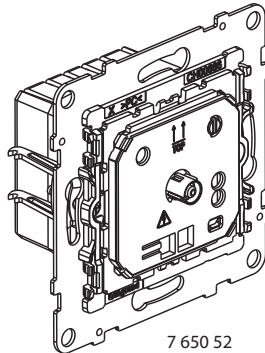
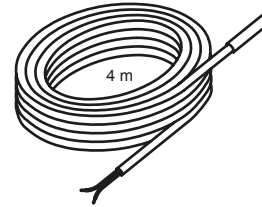


**SEANO™**  
**THERMOSTAT (FLOOR HEATING)**  
 German standard

Cat. No(s): 7 650 52



7 650 52



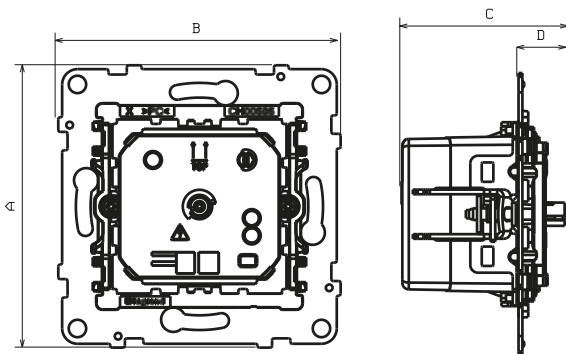
**1. USE**

Control device for programming and regulating heating units for floor heating systems.  
 Delivered with sonde (4 m).  
 With N/O free contact and LED.  
 Mechanisms to be equipped with finishes  
 Screw or claw fixing.

**2. RANGE**

Description	MECHANISM ONLY
Floor heating thermostat	7 650 52

**3. DIMENSIONS (mm)**

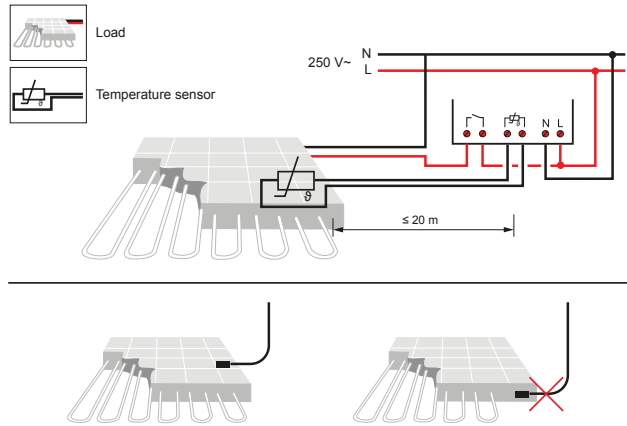


References	A	B	C	D
7 650 52	72,9	72,9	46,65	16,45

**4. CONNECTION**

Number of terminals: 6  
 Type of terminals: with screws  
 Terminal capacity:  
 2 x 1.5 mm<sup>2</sup> flexible or rigid cable  
 Stripping length:  
 6 mm  
 Tool:  
 flat screwdriver 3.5 mm

**5. WIRING**



**6. FUNCTION**

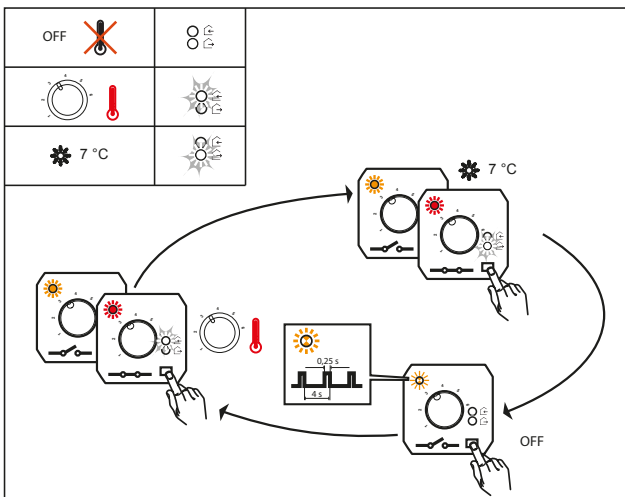
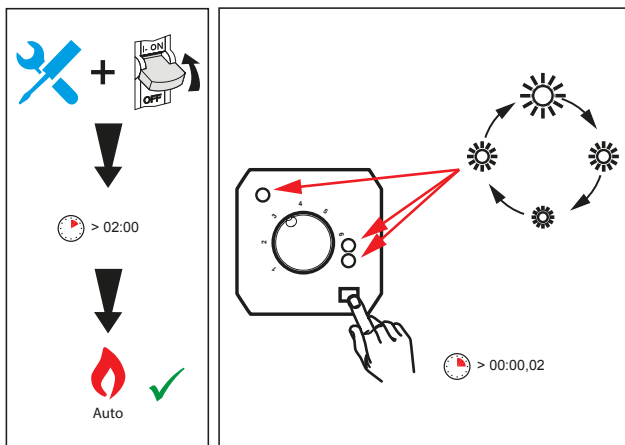
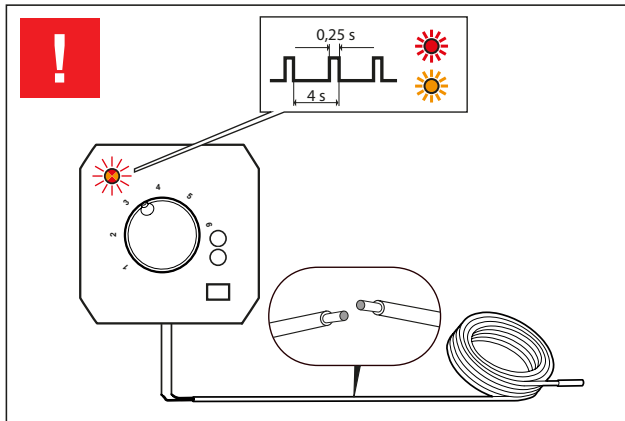
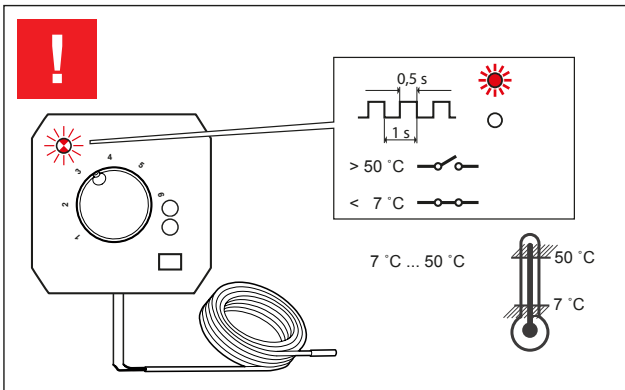
The thermostat (heating/cooling) is equipped with a temperature sensor and provides a changover relay switched depending on the ambient temperature.

The regulation is ensured by an algorithm with a pulse-width controlled output (0...100% thus ensuring a minimal temperature variation relative to the ambient temperature

Setting range from room temperature: from 7°C to 40°C

Setting range of the floor temperature:  
 - max: from 25°C to 50°C  
 - min: from 7°C to 30°C

■ 6.1 Setting the room temperature (internal sensor)



The external probe is used to limit the temperature in the floor.

- 3 positions for adjusting the floor temperature:
- choice of a maximum temperature (+25°C, +50°C)
  - choice of a minimum temperature (+7°C, +30°C)
  - no temperature measurement (OFF)

Example: Ambient temperature set to 14°C with a protective low temperature set to 10°C, the relay will be switched on as soon as one of the two temperatures will be lower than the respective directions.

**7. TECHNICAL CHARACTERISTICS**

■ 7.1 Mechanical characteristics

Protection against solid bodies and liquids: IP 40  
 Protection against impacts: IK 02

■ 7.2 Material characteristics

Polycarbonate  
 Material: - Mechanism casing: PC  
 - Support: PC grey RAL 7037 + metal  
 - Claws: Steel

Halogen free  
 UV resistant

Self-extinguishing:

+ 850° C / 30 s for insulating parts holding live parts in place  
 + 650° C / 30 s for other parts made of insulating materials.

■ 7.3 Electrical characteristics

Voltage: 250 V~  
 Current: 16 A  
 Frequency: 50/60 Hz

■ 7.4 Climatic characteristics

Storage and usage temperature: - 10° C to + 70° C  
 Cooling temperature: - 0° C to + 40° C

**8. CLEANING**

Surface cleaning with a cloth.

Do not use: acetone, tar remover, trichloroethylene.

Maintenance with the following products:

Hexane (EN 60669-1), Methylated spirit, Soapy water, Diluted ammonia, pure bleach diluted to 10%, Window-cleaning products, pre-impregnated wipes.

**Caution:** A preliminary test should be carried out if other specific cleaning products are to be used

**9. STANDARDS AND APPROVALS**

Compliance with standards of installation and manufacturing.  
 Refer to e-catalogue.