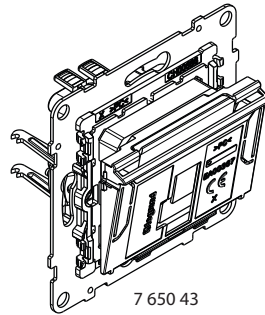


SEANO™
Mechanical keycard switch

Cat. No(s): 7 650 43



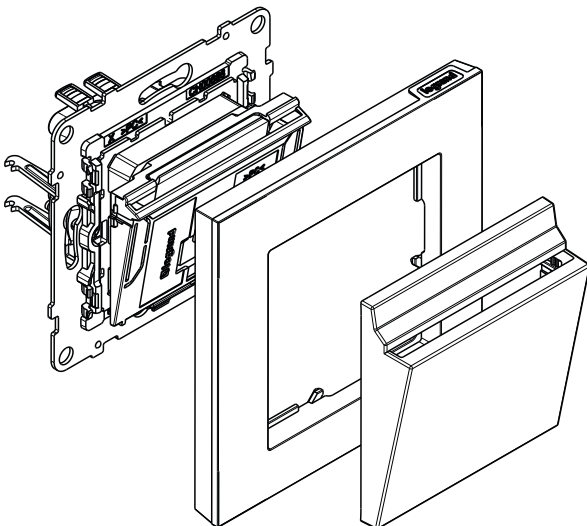
1. USE

Hotel room lightning controls mechanism.
 Supplied with support frame cover plates.
 Mechanisms supplied with protection cover.
 To be equipped with plates one or several gangs.
 Flush-mounting or surface-mounting.
 Screw or claw fixing.

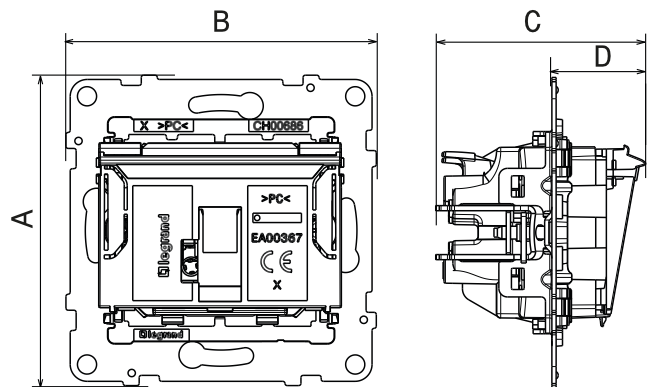
2. RANGE

Description	MECHANISM ONLY
MECHANICAL KEYCARD SWITCH	7 650 43

3. DISMANTLING



4. DIMENSIONS (mm)



References	A	B	C	D
7 650 43	72,9	72,9	49,3	22,1

5. CONNECTION

Type of terminals: with screws
 Terminal capacity: 2 x 2.5 mm²
 Stripping length (mm): 12 mm
 Flexible or rigid cables compatible

6. TECHNICAL CHARACTERISTICS

■ 6.1 Mechanical characteristics

Protection against solid bodies and liquids: IP 20
Protection against impact: IK 04

■ 6.2 Material characteristics

Material :
- Mechanism housing: PC
- Cover plates: ABS
- Halogen free
- UV resistant
- Claws: steel

Material of the support:
-steel

Self-extinguishing:
850°C/30 s for insulating components holding live parts in place
650°C/30 s for other insulating components

■ 6.3 Electrical characteristics

Voltage: 250 V~
Current: 6 A
Frequency: 50/60 Hz

■ 6.4 Climate characteristics

Storage and usage temperature: - 5°C to + 35°C

7. MAINTENANCE

Surface cleaning with a cloth.

Do not use: acetone, tar remover, trichloroethylene.

Maintenance with the following products: Hexane (EN 60669-1),
Methylated spirit, Soapy water, Diluted ammonia, Bleach diluted to 10%,
Window-cleaning products, Pre-Impregnated-wipes.

Caution: Always test before using other special cleaning products.

8. STANDARDS AND APPROVALS

Compliant with installation and manufacturing standards.
See e. catalogue.