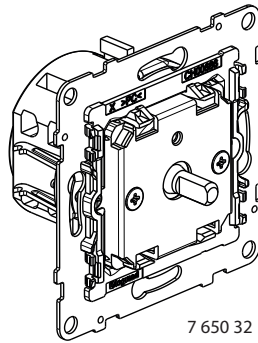


**SEANO™**  
**Fan controller**

Cat. No(s): 7 650 32



7 650 32

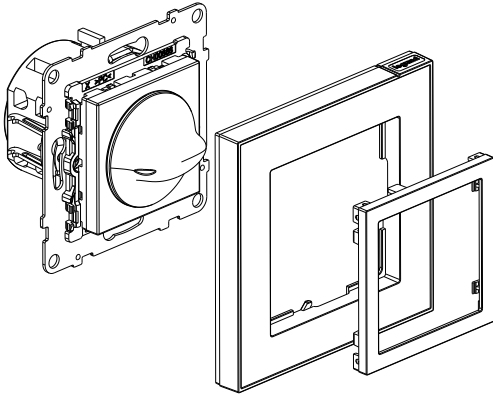
**1. USE**

Rotary speed controller for fan.

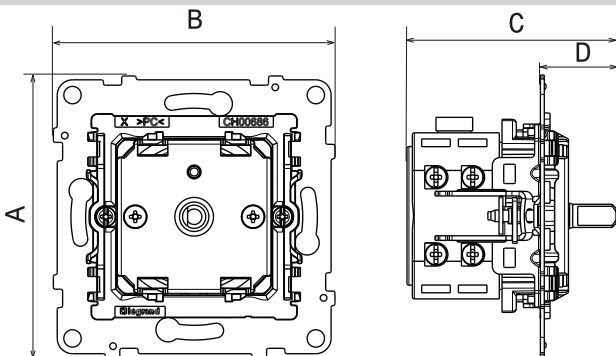
**2. RANGE**

<b>Description</b>	<b>MECHANISM ONLY</b>
VENTILATION CONTROL SWITCH (0,1,2,3)	7 650 32

**3. DISMANTLING**



**4. DIMENSIONS (mm)**



References	A	B	C	D
7650 32	72,9	72,9	54,1	19,6

**5. CONNECTION**

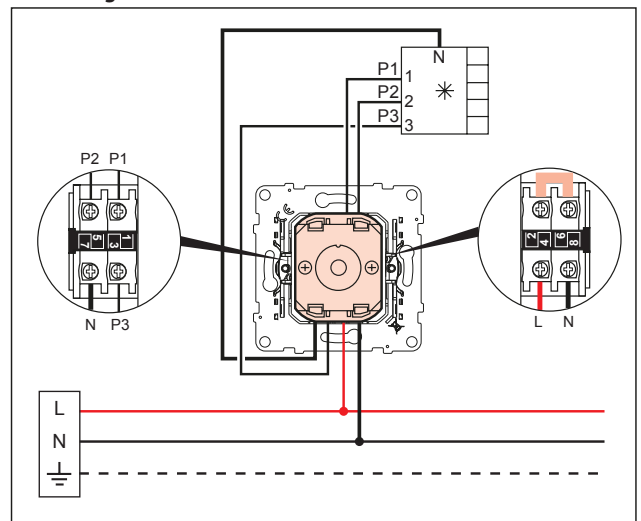
Flexible or rigid cables compatible.

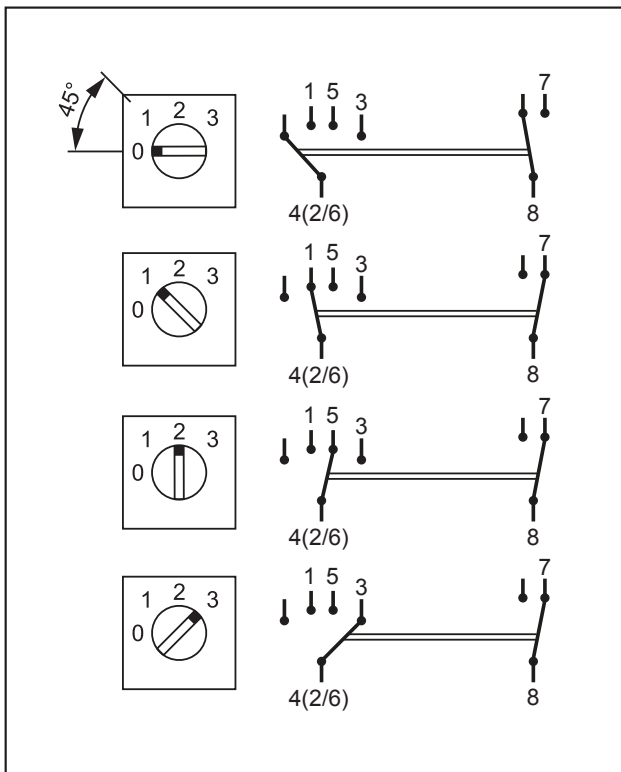
Type of terminals:  
 Screw terminal

Terminal capacity:  
 2 x 2.5mm<sup>2</sup>/terminal

Stripping length:  
 8mm

■ **5.1 Wiring**





## 6. TECHNICAL CHARACTERISTICS

### ■ 6.1 Mechanical characteristics

Protection against solid bodies and liquids: IP20  
Protection against impact: IK04

### ■ 6.2 Material characteristics

Material:

- Plate ABS
- Socket covers: Polycarbonate
- Halogen-free
- UV resistant

Self-extinguishing:

850°C/30 s for installing components holding live parts in place  
650°C/30 s for other insulating components

### ■ 6.3 Electrical characteristics

Voltage: 250 V~

Current: AC23A 2,5kW  
AC21A 20 A

Frequency: 50/60 Hz

### ■ 6.4 climatic characteristics

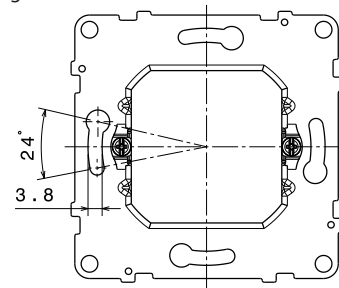
Usage temperature: -5°C to +35°C

Storage temperature: -10°C to +70°C

### ■ 6.5 Support

Material of support: -Metal

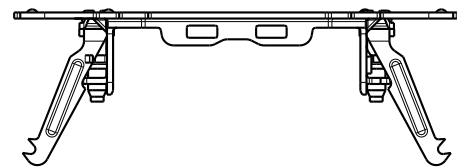
Angular adjusting:



### ■ 6.6 Fixing with claws

Number of turns to open the claws:

- 58 mm > 2,1 turns
- 65 mm > 2,75 turns



Performance of double teeth claws: extraction resistance:

## 7. MAINTENANCE

Surface cleaning with a cloth.

Do not use:

Acetone, tar remover, trichloroethylene.

Maintenance with the following products:

Hexane (EN 60669-1), Methylated spirit, Soapy water, Diluted ammonia, Bleach diluted to 10%, Window-cleaning products.

**Caution:** Always test before using other special cleaning products.

## 8. STANDARDS AND APPROVALS

Compliant with installation and manufacturing standards.

Refer to e. catalogue.