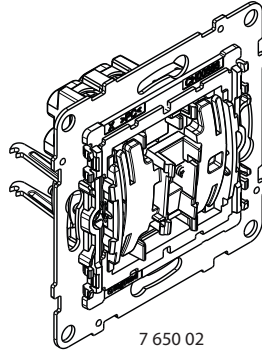


SEANO™
Lighting controls

Cat. No(s): 7 650 02



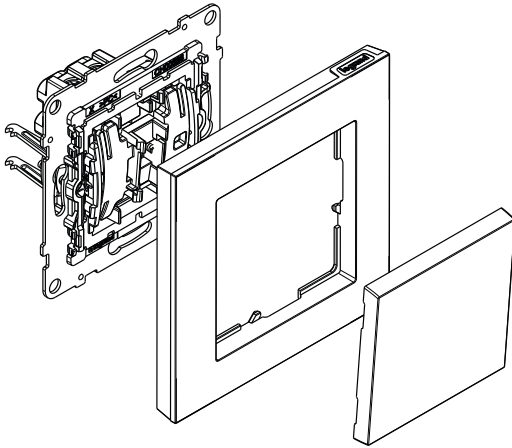
1. USE

Lighting control mechanisms, to be equipped with plates one or several gangs.
 Flush-mounting or surface-mounting.
 Screw or claw fixing.

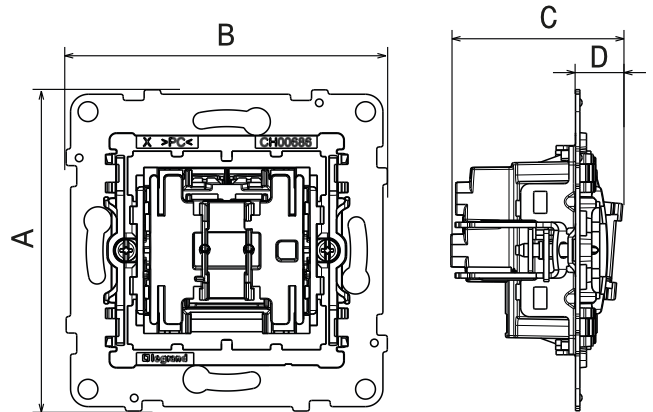
2. RANGE

Description	Mechanism only
2-POLE SWITCH	7 650 02

3. DISMANTLING



4. DIMENSIONS (mm)



References	A	B	C	D
7 65002/12	72,9	72,9	40	10,8

5. CONNECTION

Screw terminals

Capacity:
 2 x 4 mm²

Stripping length:
 10 mm

Flexible or rigid cables compatible

6. TECHNICAL CHARACTERISTICS

■ 6.1 Mechanical characteristics

Protection against solid bodies and liquids: IP 20

Protection against impact: IK 04

■ 6.2 Material characteristics

Material:

- Plate ABS
- Socket covers: Polycarbonate
- Halogen-free
- UV resistant

Self-extinguishing:

850°C/30 s for insulating components holding live parts in place

650°C/30 s for other insulating components

■ 6.3 Electrical characteristics

Voltage: 250 V~

Current: 10 AX

Max. power for self-ballasted lamps: 100 W

Frequency: 50/60 Hz

■ 6.4 Climate characteristics

Usage temperature: - 5°C to + 35°C

Storage temperature: - 10°C to + 70°C

7. MAINTENANCE

Surface cleaning with a cloth.

Do not use:

Acetone, tar remover, trichloroethylene.

Maintenance with the following products:

Hexane (EN 60669-1), Methylated spirit, Soapy water, Diluted ammonia, Bleach diluted to 10%, Window-cleaning products, Pre-impregnated-wipes.

Caution: Always test before using other special cleaning products.

8. STANDARDS AND APPROVALS

Compliant with installation and manufacturing standards.

See e-catalogue.