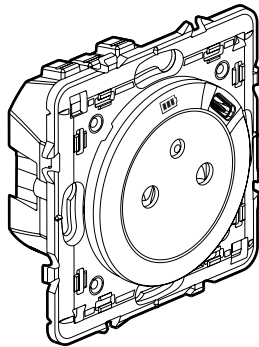


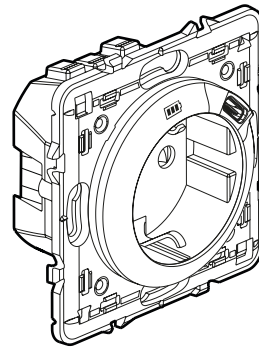
# Céliane™

## 2 P+E USB Type C mixed socket outlet

Cat. No(s): CB0140 - CN0140 - CT0140  
 CB0141 - CI0141 - CN0141 - CT0141



CB0140



CB0141

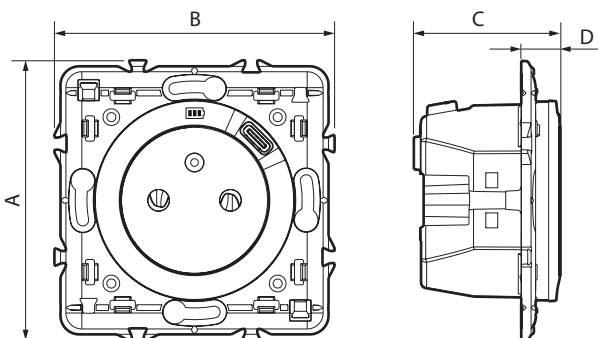
### 1. USAGE

2 P+E socket outlets with child protection.  
 USB Type C socket: for recharging portable devices such as phones, smartphones, tablets, MP3, MP4, loudspeakers, watches, game consoles, powerbanks.  
 Recessed mounting in box depth 40 mm min.  
 Fixing with screws and/or claws.

### 2. RANGE

| French standard description   | White  | Black  | Titanium |          |
|---|--------|--------|----------|----------|
| Mixed socket composed of:<br>- 2 P+E socket flush surface - 16 A - 250 V~<br>- single USB Type C - 5 V= - 1.5 A - 7.5 W<br>Supplied with secable support (spacing 71 mm) and cover plate. | CB0140 | CN0140 | CT0140   |          |
| German standard description   | White  | Ivory  | Black    | Titanium |
| Mixed socket composed of:<br>- 2 P+E socket flush surface - 16 A - 250 V~<br>- single USB Type C - 5 V= - 1.5 A - 7.5 W<br>Supplied with secable support (spacing 71 mm) and cover plate. | CB0141 | CI0141 | CN0141   | CT0141   |

### 3. DIMENSIONS (mm)



| Cat. Nos                          | A  | B  | C  | D  |
|-----------------------------------|----|----|----|----|
| CB0140 - CN0140 - CT0140          | 74 | 74 | 39 | 10 |
| CB0141 - CI0141 - CN0141 - CT0141 | 74 | 74 | 42 | 13 |

### 4. CONNECTION

- **4.1 2 P+E socket outlet**  
 Type of terminals: automatics  
 Terminal capacity: 6 x 2.5 mm<sup>2</sup>  
 Stripping length: 11 mm  
 Flexible or rigid cables compatible
- **4.2 Type C USB socket**  
 Prewired socket

### 5. TECHNICAL CHARACTERISTICS

- **5.1 Mechanical characteristics**  
 Protection against impact: IK 04  
 Protection against solid bodies and liquids: IP 40
  - **5.2 Material characteristics**  
 Support: grey PC RAL 7016 + metal  
 Mechanism casing: PC  
 Cover: PC  
 Halogen-free  
 UV-resistant  
 Self-extinguishing:  
 850°C/30 s for insulating components holding live parts in place  
 650°C/30 s for other insulating components.
  - **5.3 Electrical characteristics 2 P+E socket**  
 Voltage: 250 V~  
 Current: 16 A  
 Frequency: 50/60 Hz
  - **5.4 Electrical characteristics USB socket**  
 Integrated surge protection.
- All values listed below are measured at an ambient temperature of + 25° and after 15 minutes of operation.

|  |                   |
|--|-------------------|
| Connector                                  | USB Type C        |
| Nominal input voltage                      | 250 V~            |
| Nominal input frequency                    | 50-60 Hz          |
| Nominal input current                      | 200 mA            |
| Stand-by power consumption                 | 0.07 W - 0.075 mA |
| Average active efficiency                  | 82 %              |
| Nominal output voltage                     | 5 V=              |
| Nominal output current                     | 1.5 A             |
| Efficiency can meet energy star level "VI" |                   |
| Protection class                           | II - Low voltage  |

## 5. TECHNICAL CHARACTERISTICS *(continued)*

### ■ 5.5 Climate characteristics

Storage temperature: -10°C to +70°C

Usage temperature: -5°C to +35°C

## 6. CARE

Surface cleaning with a cloth.

Do not use: acetone, tar remover, trichlorethylene.

**Caution:** Always test before using special cleaning products.

## 7. STANDARDS AND APPROVALS

Compliant with installation and manufacturing standards.

See e-catalogue.