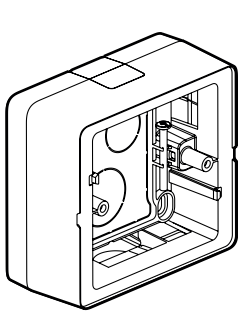
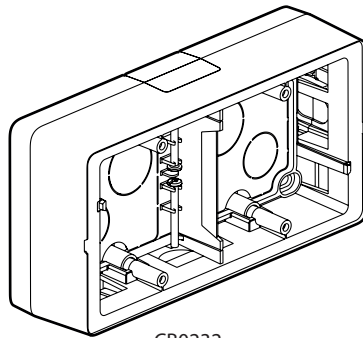


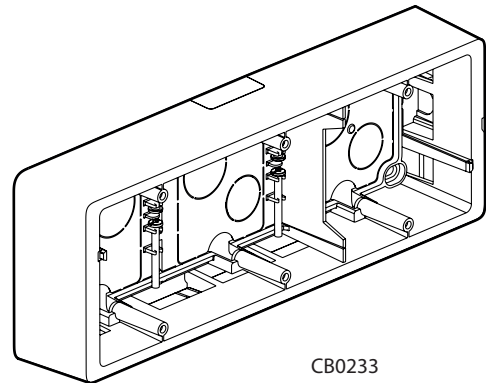
Frames for surface installation



CB0231



CB0232



CB0233

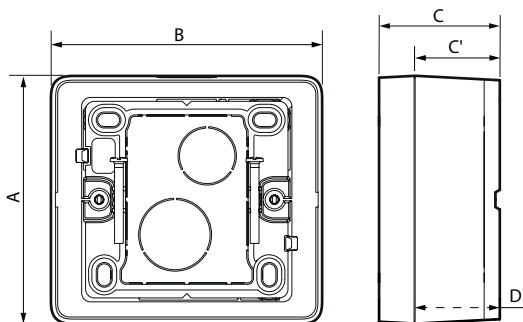
1. USE

Can be used horizontally or vertically.  
 2 adjustable heights (27 or 40 mm).  
 Frames compatible only with Decorative, Metal, Vintage plates.  
 Receive composable mechanisms.  
 Delivered with screws.

2. RANGE

Description	White	Black
Frame for surface installation - 1 position Equipped with a removable entry for installation on 20 x 12.5 mm molding	CB0231	CN0231
Frame for surface installation - 2 positions Equipped with a removable entry for installation on 32 x 12.5 mm molding	CB0232	CN0232
Frame for surface installation - 3 positions Equipped with a removable entry for installation on 32 x 12.5 mm molding	CB0233	CN0233

3. DIMENSIONS (mm)



Frame	A	B	C	C'	D
1 position	85	93	41.5	-	25.5
2 positions	85	164	43.5	-	27.5
3 positions	85	235	-	39.5	37.5

4. TECHNICAL CHARACTERISTICS

■ 4.1 Mechanical characteristics

Impact tests: IK 04

■ 4.2 Material characteristics

Frame: White ABS

Painted mat black ABS

Halogen-free

UV-resistant

Self-extinguishing: 650°C/30 s

■ 4.3 Climate characteristics

Usage temperature: -5°C to +50°C

Storage temperature: -10°C to +70°C

5. CARE

Surface cleaning with a cloth.

Do not use: acetone, tar remover, trichloroethylene.

**Caution:** Always test before using special cleaning products.

6. STANDARDS AND APPROVALS

Compliant with installation and manufacturing standards.

See e.catalogue.