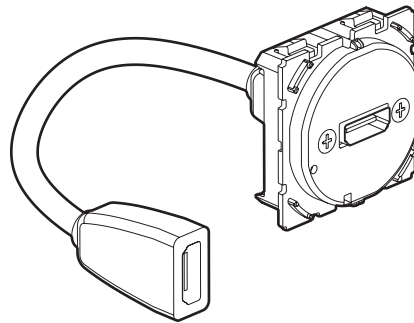


Céliane™ HDMI audio-video socket

Cat. No(s): CM0314



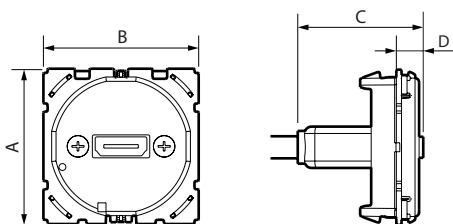
1. USE

Used to transmit HD and HDU High Definition digital audio-video streams between a source (DVD or Blu-Ray player, games console, computer, etc) and a compatible receiver (TV, video projector, etc).
 Maximum length between 2 sockets: 10 m
 To ensure a high-quality result, the connection between the two devices must not exceed a certain distance (see audio-video characteristics in section 5.3). For longer connections, it is necessary to provide a booster system in the installation.
 Clip fixing.
 For installation in a flush-mounting box, depth 50 mm recommended.

2. RANGE

Description	Cat. No
HDMI Type-A audio video socket - pre-terminated - version 2.0. Equipped with 2 female connectors and a 15cm long cord for quick connection to standard HDMI cords with male plugs.	CM0314

3. DIMENSIONS (mm)



A	B	C	D
45	45	36.5	8

4. CONNECTION

Product to connect

5. TECHNICAL CHARACTERISTICS

■ 5.1 Mechanical characteristics

Impact tests: IK 04
 Protection against solid bodies and liquids: IP 20

■ 5.2 Material characteristics

Mechanism casing: Black PC
 Halogen-free

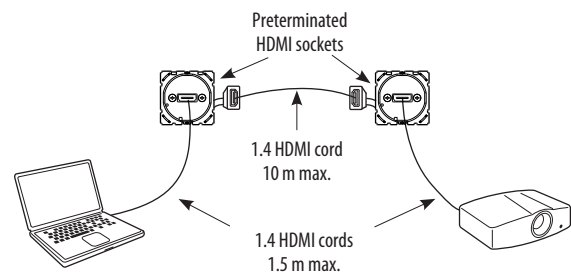
Self-extinguishing:
 850°C/30 s for insulating components holding live parts in place.
 650°C/30 s for other insulating components.

■ 5.3 Audio-video characteristics

Note : These values are indicated for an installation set up in accordance with best practice and connected in compliance with existing standards. Any additional accessories and cords should comply with these same criteria.

HDMI version 1.4:

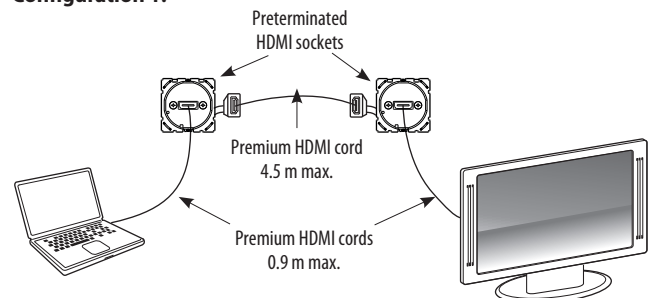
Max. resolution (pixels): 1080 p



HDMI version 2.0:

Max. resolution (pixels): 2160 p
 16/9 format: 2160 p - 60 Hz - RGB
 21/9 format: 3840 x 2160 p - 60 Hz - RGB

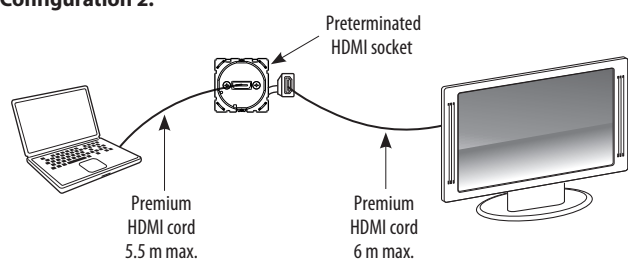
Configuration 1:



5. TECHNICAL CHARACTERISTICS (continued)

HDMI version 2.0 : (continued)

Configuration 2:



■ 5.4 Climate characteristics

Usage temperature: -5°C to +50°C

Storage temperature : -10°C to +70°C

6. ENTRETIEN

Surface cleaning with a cloth.

Caution: Always test before using other special cleaning products.