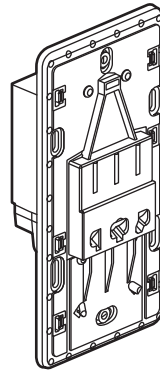


## Céliane™ Shaver socket

Cat. No(s): CM0135



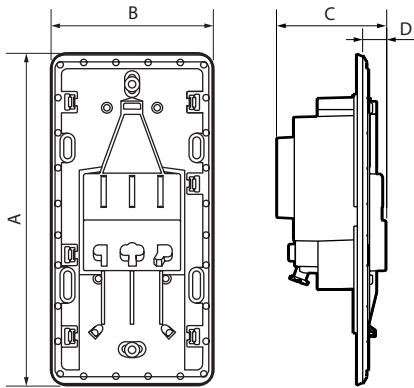
### 1. USE

Equipped with a circuit separation transformer to isolate the user from the mains supply.  
 Socket outlets for different international standards: euro, US, british standard, australian.  
 Can be flush-mounted or surface-mounted in a flush-mounting box or frame (0 802 42) 2 stations 50 mm deep.

### 2. RANGE

Description	Cat. No
Shaver socket with support frame	CM0135

### 3. DIMENSIONS (mm)



A	B	C	D
154	75.5	51	11

### 4. CONNEXION

Type of terminals: automatic  
 Terminal capacity: 2 x 2.5 mm<sup>2</sup> or 2 x 1.5 mm<sup>2</sup>  
 Stripping length: 13 mm

### 5. TECHNICAL CHARACTERISTICS

#### ■ 5.1 Mechanical characteristics

Impact tests: IK 04  
 Protection against solide bodies and liquids: IP 24

#### ■ 5.2 Material characteristics

Polycarbonate

Self-extinguishing:

850°C/30 s for insulating components holding live parts in place.  
 650°C/30 s for other insulating components.

#### ■ 5.3 Electrical characteristics

Protected against overloads and short circuits by built-in thermal relay limiting the available power to 20 VA.  
 Power supply: 230 V~ and 1 output 120 VA to 230 VA  
 Frequency: 50/60 Hz

#### ■ 5.4 Climate characteristics

Storage temperature: -10°C to +70°C  
 Usage temperature: -5°C to +50°C

### 6. CLEANING

Surface cleaning with a cloth

### 7. STANDARDS AND APPROVALS

Compliant with installation and manufacturing standards.  
 See e-catalogue.