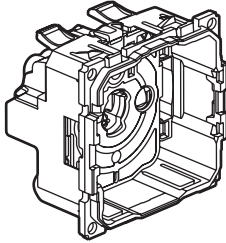


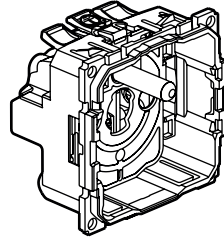
# Céliane™

## Socket outlets to Franco-Belgian standard

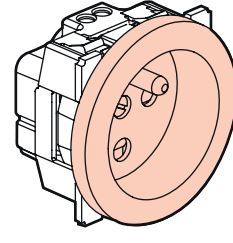
Cat. No(s): CM0110 - CM0111 - CM0115 - CM0116 - CM0118



CM0110



CM0111



CM0115

### 1. USE

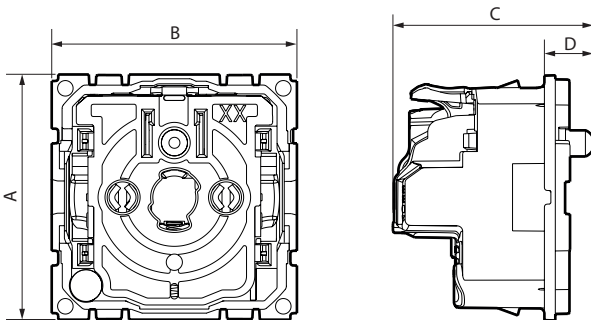
2 P+E socket outlets, shuttered.  
 Can be recessed or surface mounted.

### 2. RANGE

Description	Cat. Nos
<b>Special renovation sockets, compatible with 30 mm deep boxes</b>	
2P socket	CM0110*
2 P+E socket	CM0116*
<b>Standard sockets</b>	
2 P+E socket Allows different types of socket do be made depending on the trim: surface, with wells, surface with light.	CM0111*
2 x 2 P+E socket - 1-gang - with claws	CM0118
2 P+E temperproof socket - supplied with red cover	CM0115

\*Can be located by LED. Apply specific cover plate.

### 3. DIMENSIONS (mm)



Cat. Nos	A	B	C	D
CM0110	45	45	34	4.5
CM0115	45	45	37	8.5
CM0111	45	45	37	9
CM0116	45	45	35.5	8
CM0118	71	71	50.5	19

### 4. CONNECTION

For Cat. Nos CM0110/0111/0118  
 Type of terminals: automatic with color coding  
 Terminal capacity: 2 x 2.5 mm<sup>2</sup>  
 Stripping length: 12 mm

For Cat. Nos CM0115/0116  
 Type of terminals: with screws  
 Terminal capacity: 2 x 4 mm<sup>2</sup>  
 Stripping length: 12 mm

### 5. TECHNICAL characteristics

#### ■ 5.1 Mechanical characteristics

Impact test: IK 04  
 Protection against solid bodies and liquids: IP 20

#### ■ 5.2 Material characteristics

Mechanism casing: PC  
 Red cover: PC

Halogen-free  
 UV-resistant

Self-extinguishing:  
 850°C/30 s for insulating components holding live parts in place.  
 650°C/30 s for other insulating components.

#### ■ 5.3 Electrical characteristics

Voltage: 250 V~  
 Current: 16 A

#### ■ 5.4 Climate characteristics

Storage temperature: -10°C to +70°C  
 Usage temperature: -5°C to +50°C

### 6. CLEANING

Surface cleaning with a cloth.  
 Do not use: acetone, tar remover, trichloroethylene.

**Caution:** Always test before using other special cleaning products.

### 7. ACCESSORIES

Temperproof: cat. no 0 502 99  
 Bulb: cat. no 0 676 64 (230 Vac - 2.4 mA)

### 8. STANDARDS AND APPROVALS

Compliant with installation and manufacturing standards.  
 See e-catalogue.