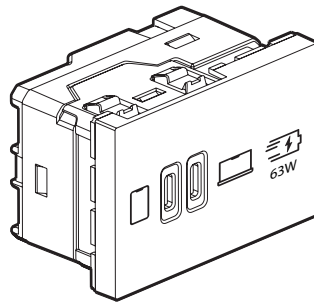


Mosaic™
USB Type C+C charger - 63 W

Cat. No(s): 0 776 73L/74L/75L



1. USE

Allows you to power and charge multimedia terminals: PC, tablets, smartphones.

USB Power Delivery and Quick charge are new fast charging technologies built into iOS/Apple and Android/Google devices.

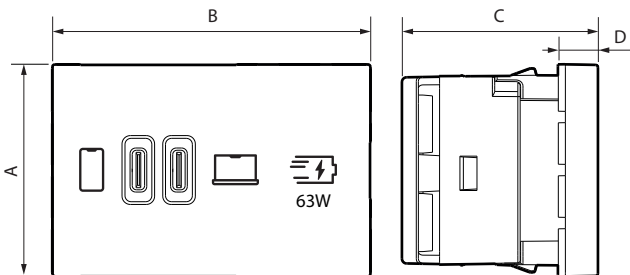
Technologies enabling a faster charging level than conventional technologies, operating via an exchange between the terminal and the charger.

2. RANGE

63 W USB charger - Type C+C

0 776 73L	○ Whyte	2 USB - Type-C (2 Type-C outputs)
0 776 74L	● Aluminium	3 modules
0 776 75L	● Matte black	To be equipped with support frame and finishing plate

3. DIMENSIONS (mm)



A	B	C	D
45	67.5	42	8.5

4. CONNECTION

Type of terminals: automatic
 Terminal capacity: 2 x 2.5 mm²
 Stripping length: 6 mm
 Circuit breaker: MAX. 16 A

Imperative safety precautions:



Switch OFF the power at the main circuit breaker. Make sure that the power is OFF before continuing with the installation.

5. TECHNICAL CHARACTERISTICS

5.1 Mechanical characteristics

Impact tests: IK 04
 Penetration by solid bodies and liquids: IP 40

5.2 Material characteristics

Mechanism casing: PC V-0 UL
 Cover: ABS White RAL 9003
 Painted Glitter varnished aluminum
 Painted matt black RAL 9017 satin finish

Halogen-free
 UV-resistant
 Self-extinguishing:
 PC V-0 UL
 650° C/30 s for other insulating components.

5.3 Climate characteristics

Storage temperature: -20°C to +70°C
 Operating temperature: +5°C to +40°C

5. TECHNICAL CHARACTERISTICS *(continued)*

■ 5.4 Electrical characteristics



All values listed below are measured at an ambient temperature of + 20°C and after 30 minutes of operation.

Nominal input voltage	220-240 V~
Nominal input frequency	50/60 Hz
Nominal input current	0.8 A
Max. nominal output current	3.0 A
Max. output power	63.0 W
Nominal output voltage	5.0 V [⎓] *
Average efficiency in active mode	81 %
Stand-by power consumption	< 0.3 W
Consumption class without load and average level of efficiency: Level VI	
Protection class	II - Low voltage

*** Optimized voltage: 1 output**

5.0 V [⎓]	3.0 A
9.0 V [⎓]	3.0 A
12.0 V [⎓]	3.0 A
15.0 V [⎓]	3.0 A
20.0 V [⎓]	3.0 A

*** Optimized voltage: 2 outputs**

			
5.0 V [⎓]	3.0 A	5.0 V [⎓]	3.0 A
9.0 V [⎓]	3.0 A	9.0 V [⎓]	2.0 A
12.0 V [⎓]	3.0 A	12.0 V [⎓]	1.5 A
15.0 V [⎓]	3.0 A		
20.0 V [⎓]	2.2 A		

6. CLEANING

Surface cleaning with a cloth.

Do not use: acetone, tar remover, trichloroethylene.

Resistance to the following agents:

Hexane (EN 60669-1), methylated spirits, soapy water, diluted ammonia, pure bleach diluted to 10%, window-cleaning products, pre-impregnated wipes.

Caution: Always test before using other special cleaning product.

7. STANDARDS AND APPROVALS

Compliant with installation and manufacturing standards.

See e.catalogue.