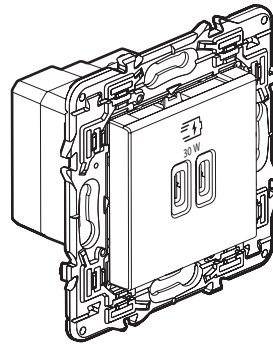


# Valena Next™

## 30W USB charger - Type C+C

Cat. No(s): 7 419 20 - 7 419 40 - 7 419 50



### 1. USAGE

Allows you to power and charge multimedia terminals: PC, tablets, smartphones.

**USB Power Delivery and Quick charge** are new fast charging technologies built into iOS/Apple and Android/Google devices.

Technologies enabling a faster charging level than conventional technologies, operating via an exchange between the terminal and the charger.

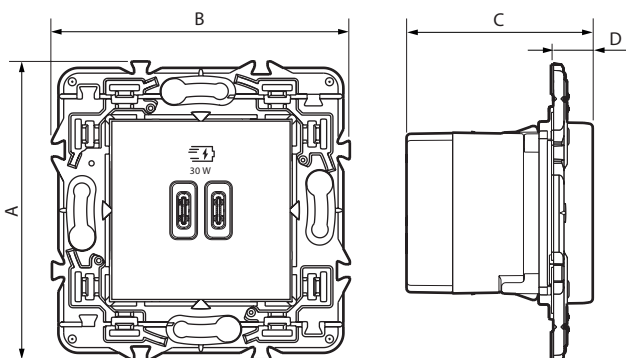
### 2. RANGE

#### 30W USB charger - Type C+C

2 USB Type-C (2 Type-C outputs) - 2 modules  
 To be equipped with finishing plate

White	Aluminium	Dark
7 419 20	7 419 40	7 419 50

### 3. DIMENSIONS (mm)



A	B	C	D
74	74	45	10

### 4. CONNECTION

Type of terminals: with screws  
 Terminal capacity: 2 x 2.5 mm<sup>2</sup>  
 Stripping length: 6 mm  
 Screwdriver: flat 3.5 mm  
 Circuit breaker: 16 A MAX.

#### Necessary safety precautions:



**Switch OFF the power at the main circuit breaker. Make sure that the power is OFF before continuing with the installation.**

### 5. TECHNICAL CHARACTERISTICS

#### ■ 5.1 Mechanical characteristics

Impact tests: IK 04  
 Penetration by solid bodies and liquids: IP 40

#### ■ 5.2 Material characteristics

Mechanism casing: PC V-0 UL  
 Support frame: Galfan steel + Polyamide 6.6 RAL 7016

Cover: ABS  
 White RAL 9003  
 Painted for other colors

Halogen-free  
 UV-resistant

Self-extinguishing:  
 PC V-0 UL  
 650°C/30 s for other insulating components.

#### ■ 5.3 Electrical characteristics

All values listed below are measured at an ambient temperature of + 20° and after 30 minutes of operation.

Nominal input voltage	100-240V~	
Nominal input frequency	50/60Hz	
Max. output power	30.0W	
Nominal input current	0.5A	
Max. nominal output current	3.0A	
Nominal output voltage	5.0 V <sub>DC</sub> *	
Average efficiency in active mode	88% → 1 output	85% → 2 outputs
Stand-by power consumption	0.08W	
Consumption class without load and average level of efficiency: Level VI		
Protection class	II - Low voltage	

## 5. TECHNICAL CHARACTERISTICS *(continued)*

### ■ 5.3 Electrical characteristics *(continued)*

*Optimise/voltage:		*Optimise/voltage:	
1 output		2 outputs	
5.0V $\overline{=}$	3.0A	C1: 5.0V $\overline{=}$	2.4A
9.0V $\overline{=}$	3.0A	C2: 5.0V $\overline{=}$	2.4A
12.0V $\overline{=}$	2.5A		
15.0V $\overline{=}$	2.0A		
20.0V $\overline{=}$	1.5A		

**Note:** To optimize the charging time of your device, ensure turn it off during the charging phase.

### ■ 5.4 Climate characteristics

Storage temperature: -20°C to +70°C

Usage temperature: +5°C to +40°C

## 6. CLEANING

Surface cleaning with a cloth.

Do not use: acetone, tar remover, trichloroethylene.

Resistance to the following agents:

Hexane (EN 60669-1), methylated spirits, soapy water, diluted ammonia, pure bleach diluted to 10%, window-cleaning products, pre-impregnated wipes.

**Caution:** Always test before using other special cleaning product.

## 7. STANDARDS AND APPROVALS

Compliant with installation and manufacturing standards.

See e.catalogue.