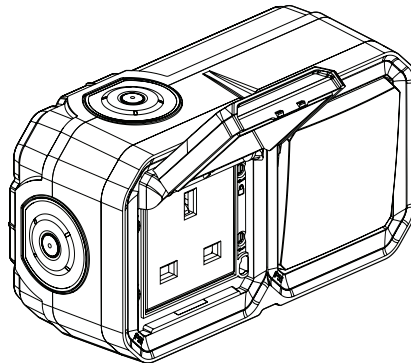


Plexo™

Cat. No(s): 0 697 50L

**2P+E Socket outlets - British Standard
Lighting control**



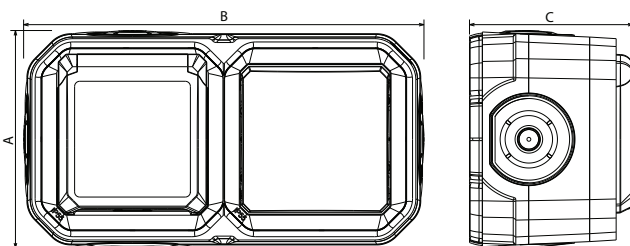
1. USE

Weatherproof wiring accessory system for residential and professional plant rooms (garages, cellars, car parks, industrial workshops and kitchens) as well as outdoor environments (terraces, gardens, camp sites, etc). Socket outlets with protection eclips and lighting control.

2. RANGE

		References : Designations	
Flush-mounting complete		2P+T and two-way socket horizontal	0 697 50L

3. OVERALL DIMENSIONS (mm)



	A	B	C
Flush-mounting complete	84.5	155.5	63.55

4. CONNECTION

Type of terminals: automatic
Terminal capacity: 1.5 mm² - 2.5 mm² (1 or 2 conductors)
Stripping length: 12 mm

5. TECHNICAL CHARACTERISTICS

■ **5.1 Protection index**

Protection against solid bodies and liquids: IP 55
Protection against impact: IK 08

■ **5.2 Material characteristics**

Box, support: PP reinforced
Front plate, flap, rocker: ABS
Entry gland, cover plate: PP + SEBS
Mechanism: PC

UV-resistant
Halogen-free

Resistance to salt spray: 7 days (168 h)

Self-extinguishing:
850°C/30 s for insulating components holding live parts in place.
650°C/30 s for other insulating components.

■ **5.3 Electrical characteristics**

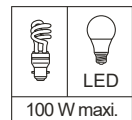
Voltage: 250 V~

Current: Socket: 13 A

: Lighting control 10 AX

Maximum power on lamps with integrated ballast (LED lamps and compact fluorescent): 100 W

Frequency: 50 Hz



■ **5.4 Climate characteristics**

Usage temperature: - 10° à + 40° C

Storage temperature: - 25° C à + 60° C

6. CLEANING

Surface cleaning with a cloth.

Do not use: acetone, tar remover, trichloroethylene.

Maintenance with the following products: Hexane (EN 60669-1), Methylated spirit, Soapy water, Diluted ammonia, Bleach diluted to 10%, Window-cleaning products, Pre-saturated wipes.

Caution: A preliminary test should be carried out if other specific cleaning products are to be used.

7. STANDARDS AND APPROVALS

Compliance with standards of installation and manufacturing.
Refer to e. catalogue.