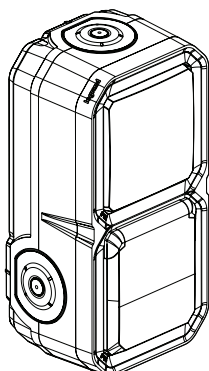


Plexo™

2P+E Schuko socket outlets - Lighting control

Cat. No(s): 0 697 46L



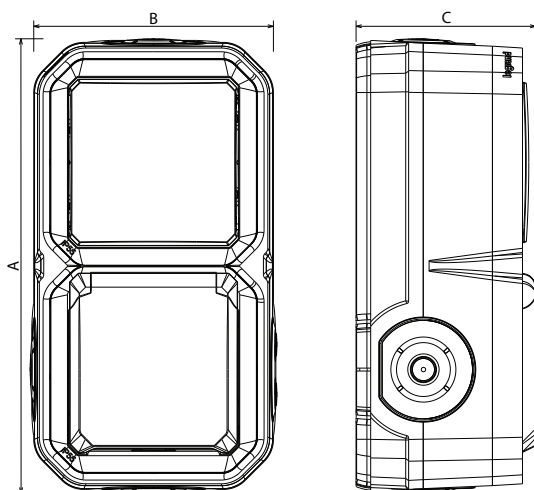
1. USE

Weatherproof wiring accessory system for residential and professional plant rooms (garages, cellars, car parks, industrial workshops and kitchens) as well as outdoor environments (terraces, gardens, camp sites, etc). Socket outlets with protection eclips and lighting control.

2. RANGE

		References : Designations	
Flush-mounting complete		2P+T and two-way socket Vertical	0 697 46L

3. OVERALL DIMENSIONS (mm)



	A	B	C
Flush-mounting complete	155.5	84.5	61.55

4. CONNECTION

Type of terminals: automatic
Terminal capacity: 1.5 mm² - 2.5 mm² (1 or 2 conductors)
Stripping length: 12 mm

5. TECHNICAL CHARACTERISTICS

■ 5.1 Protection index

Protection against solid bodies and liquids: IP 55
Protection against impact: IK 08

■ 5.2 Material characteristics

Box, support: PP reinforced
Front plate, flap, rocker: ABS
Entry gland, cover plate: PP + SEBS
Mechanism: PC
UV-resistant
Halogen-free

Resistance to salt spray: 7 days (168 h)

Self-extinguishing:

850°C/30 s for insulating components holding live parts in place.
650°C/30 s for other insulating components.

■ 5.3 Electrical characteristics

Voltage: 250 V~

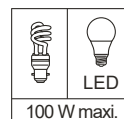
Current: Socket: 16 A

: Lighting control 10 AX

Maximum power on lamps with integrated ballast

(LED lamps and compact fluorescent): 100 W

Frequency: 50 Hz



■ 5.4 Climate characteristics

Usage temperature: - 10° à + 40° C

Storage temperature: - 25° C à + 60° C

6. CLEANING

Surface cleaning with a cloth.

Do not use: acetone, tar remover, trichloroethylene.

Maintenance with the following products: Hexane (EN 60669-1), Methylated spirit, Soapy water, Diluted ammonia, Bleach diluted to 10%, Window-cleaning products, Pre-saturated wipes.

Caution: A preliminary test should be carried out if other specific cleaning products are to be used.

7. STANDARDS AND APPROVALS

Compliance with standards of installation and manufacturing.
Refer to e. catalogue.