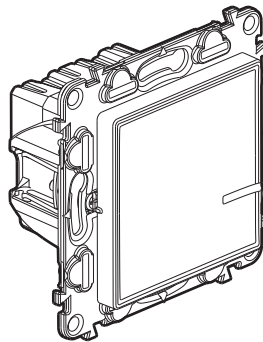


# Valena™ Life

## Dimmer without neutral 125 VA LED

Cat. No(s): 7 524 62A - 7 525 62A - 7 526 62A



### 1. USE

This product allows the control and variation of all types of lamps.  
 Can be associated with one or several push-buttons without neon, each push-button then allowing the on/off/dimming functions.

Gradually turn the light on and off.

Lights come on again at the same lighting level as before they were last switched off.

Used:

- in luminous mode (indicator)
- in status memory mode
- in leading mode, trailing depending on the load (see load tables on page 2).

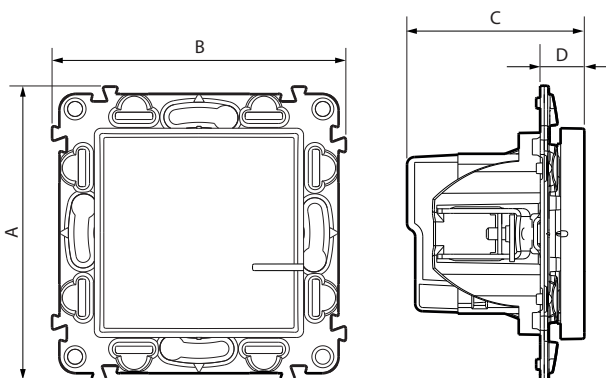
Installed in a box at least 40 mm deep.

Fixing with screws and/or claws.

### 2. RANGE

7 524 62A	○ White	2-wire dimmer without neutral To be equipped with finishing plate.
7 525 62A	○ Ivory	
7 526 62A	● Aluminium	

### 3. DIMENSIONS (mm)



A	B	C	D
75	75	45	11

### 4. CONNECTION

Type of terminals: with screws

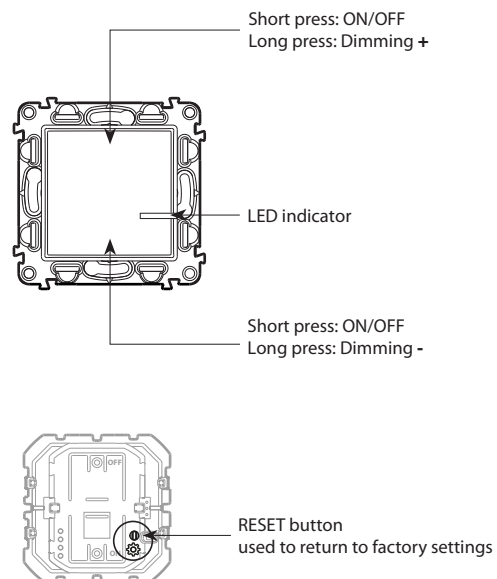
Terminal capacity: 2 x 1.5 mm<sup>2</sup> or 1 x 2.5 mm<sup>2</sup>

Stripping length: 8 mm (without neutral)

7 mm (with neutral)

Screwdriver: 3 mm flat

### 5. OPERATION



**6. TECHNICAL CHARACTERISTICS**

■ **6.1 Mechanical characteristics**

Protection against impacts: IK 04  
 Protection against solid bodies and liquids: IP 20

■ **6.2 Material characteristics**

Mechanism casing: PC  
 Support frame: Grey PC RAL 7016 + metal  
 Rocker : PC  
 Colour: White RAL 9003  
 Ivory RAL 9013  
 Painted aluminium

Halogen-free  
 UV-resistant






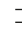


Self-extinguishing:  
 850°C/30 s for insulating components holding live parts in place.  
 650°C/30 s for other insulating components.

■ **6.3 Climate characteristics**

Usage temperature: -5°C to +35°C  
 Storage temperature: -10°C to +70°C


■ **6.4 Electrical characteristics**

Voltage: 110-230 V~  
 Power: 125 W  
 Frequency: 50/60 Hz  
 Standby consumption: 0.3 W

					
					
230 V~	Max.	125 W	(*)125 VA	125 VA	125 VA
	Min.	3 W	(*)3 VA	3 VA	5 VA
110 V~	Max.	75 W	(*)75 VA	75 VA	75 VA
	Min.	3 W	(*)3 VA	3 VA	3 VA

(\*) For comfortable lighting, we recommend using bulbs of the same type and make.  
 Max. 10 bulbs.

Do not mix different load types on the same product.  
 Compatibility with ferromagnetic type loads is only possible in "Leading" mode.

**Caution:** Only works with variable-intensity bulbs. 

In case of poor load operation, it may be necessary to use the active compensator Ref. 0 401 49.

**7. CARE**

Clean the surface with a cloth.  
 Resistance to the following products:  
 Hexane, methylated spirit, soapy water, diluted ammonia, pure bleach diluted to 10%, window-cleaning products, pre-impregnated wipes.

**Caution:** Always test before using special cleaning products.

**8. STANDARDS AND APPROVALS**

Compliant with installation and manufacturing standards.  
 See e-catalogue.

