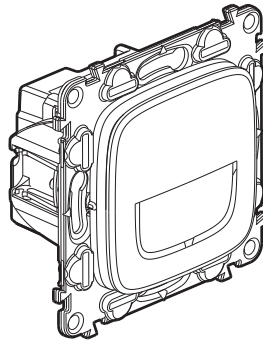


Valena™ Allure

Dimmer without neutral 125 VA LED

Cat. No(s): 7 527 62A - 7 528 62A - 7 529 62A
 7 563 62A



1. USE

This product allows the control and variation of all types of lamps.
 Can be associated with one or several push-buttons without neon, each push-button then allowing the on/off/dimming functions.

Gradually turn the light on and off.

Lights come on again at the same lighting level as before they were last switched off.

Used:

- in luminous mode (indicator)
- in status memory mode
- in leading mode, trailing depending on the load (see load tables on page 2).

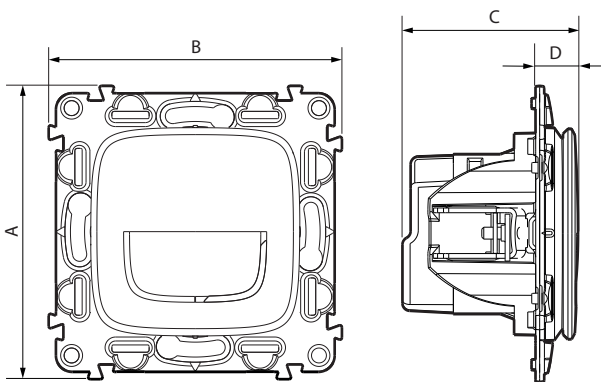
Installed in a box at least 40 mm deep.

Fixing with screws and/or claws.

2. RANGE

7 527 62A	○ White	2-wire dimmer without neutral To be equipped with finishing plate.
7 528 62A	○ Ivory	
7 529 62A	● Aluminium	
7 563 62A	● Black	

3. DIMENSIONS (mm)



A	B	C	D
75	75	45	11

4. CONNECTION

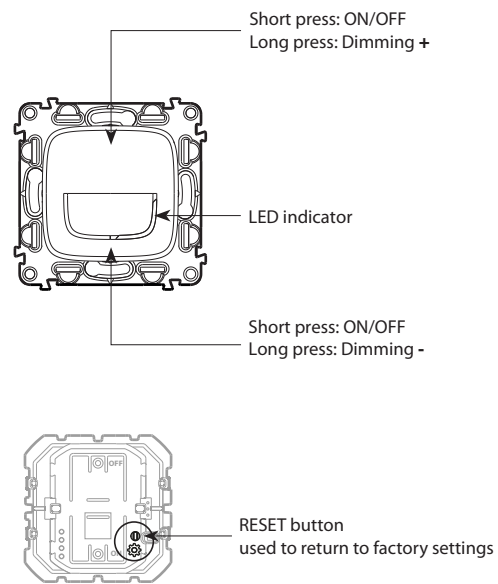
Type of terminals: with screws

Terminal capacity: 2 x 1.5 mm² or 1 x 2.5 mm²

Stripping length: 8 mm

Screwdriver: 3 mm flat

5. OPERATION



6. TECHNICAL CHARACTERISTICS

■ 6.1 Mechanical characteristics

Protection against impacts: IK 04
 Protection against solid bodies and liquids: IP 20

■ 6.2 Material characteristics

Mechanism casing: PC
 Support frame: Grey PC RAL 7016 + metal
 Rocker : PC
 Colour: White RAL 9003
 Ivory RAL 9013
 Painted aluminium
 Painted black

Halogen-free
 UV-resistant






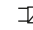
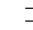
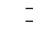
Self-extinguishing:
 850°C/30 s for insulating components holding live parts in place.
 650°C/30 s for other insulating components.

■ 6.3 Climate characteristics

Usage temperature: -5°C to +35°C
 Storage temperature: -10°C to +70°C

■ 6.4 Electrical characteristics

Voltage: 110-230 V~
 Power: 125 W
 Frequency: 50/60 Hz
 Standby consumption: 0.3 W

			 LED		
					
230 V~	Max.	125 W	(*) 125 VA	125 VA	125 VA
	Min.	3 W	(*) 3 VA	3 VA	5 VA
110 V~	Max.	75 W	(*) 75 VA	75 VA	75 VA
	Min.	3 W	(*) 3 VA	3 VA	3 VA

(*) For comfortable lighting, we recommend using bulbs of the same type and make.
 Max. 10 bulbs.

Do not mix different load types on the same product.
 Compatibility with ferromagnetic type loads is only possible in "Leading" mode.

Caution: Only works with variable-intensity bulbs.



In case of poor load operation, it may be necessary to use the active compensator Ref. 0 401 49.

7. CARE

Clean the surface with a cloth.

Resistance to the following products:

Hexane, methylated spirit, soapy water, diluted ammonia, pure bleach diluted to 10%, window-cleaning products, pre-impregnated wipes.

Caution: Always test before using special cleaning products.

8. STANDARDS AND APPROVALS

Compliant with installation and manufacturing standards.
 See e-catalogue.