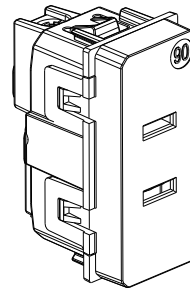


K4189N



K4190N

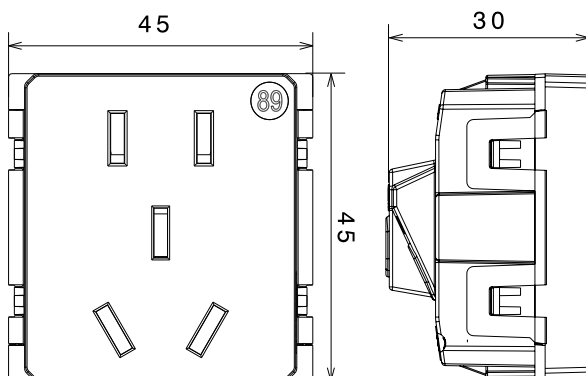
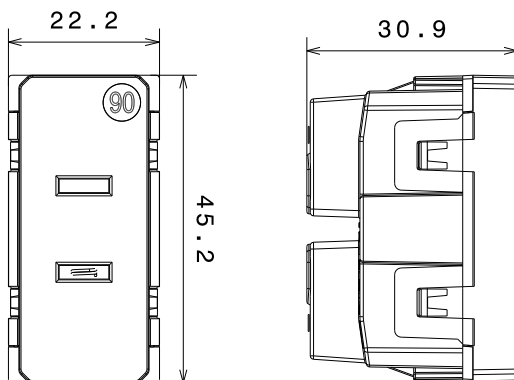
1. USE

2P or 5P China std sockets outlets with shutters.
 Mechanism for flush-mounted installation.
 To be equipped with support frame and plate.

2. RANGE

Designation	Cat. No.	Colour
L.NOW - Socket 5P Chinese std.	K4189N	■ Black
L.NOW - Socket 2P 10A Chinese std.	K4190N	■ Black

3. DIMENSIONS (mm)



4. CONNECTION

4.1 Terminals

Terminal capacity: $3 \times 1 \text{ mm}^2$
 $3 \times 1.5 \text{ mm}^2$
 $2 \times 2.5 \text{ mm}^2$
 $1 \times 4 \text{ mm}^2$

Recommended screwdriver size: 4 mm flat blade
 Recommended stripping length: 12 mm

5. TECHNICAL CHARACTERISTICS

5.1 Material characteristics

Plate: Polycarbonate

Base: Polycarbonate

Self-extinguishing:

+ 850° C / 30 s for insulating parts holding live parts in place
 + 650° C / 30 s for other parts made of insulating materials

5.2 Electrical characteristics

Voltage: 250V~

Current: 10A

5.3 Climatic characteristics

Storage temperatures: -5°C to +35°C

Operating temperatures: -5°C to +35°C

5.4 Mechanical characteristics

Impact test: IK04

Protection against liquids: IP20

6. CLEANING

Surface cleaning with a soft, slightly damp cloth.
 Do not use: acetone, tar remover, trichloroethylene.

A preliminary test should be carried out if other specific cleaning products are to be used.

7. CONFORMITY - APPROVALS

Compliance with installation and manufacturing standards.
 Refer to e-catalogue.