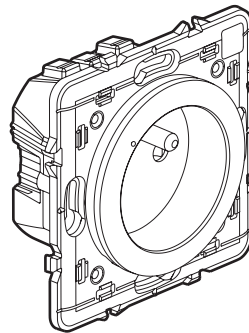


# Céliane™

## Connected 2P+E socket - French standard

Cat. Nos: CB0460 - CN0460 - CT0460



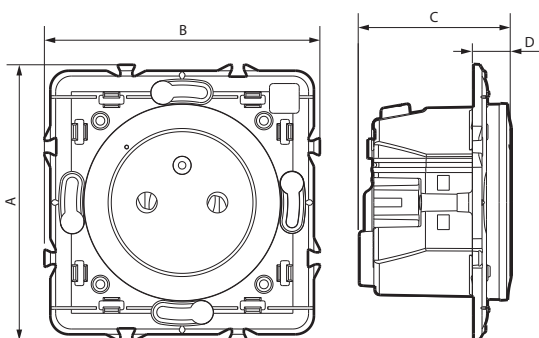
### 1. USE

Connected socket which can be controlled by a wireless lighting control and/or remotely via a smartphone, tablet or computer.  
 Can be used to measure instantaneous and total consumption of the connected device, which can be viewed on the Home + Control app.  
 Built-in protection against electrical overloads, for increased safety.  
 Installation in box 40 mm deep (minimum), instead of a standard socket outlet.  
 Screw and/or claw fixing.  
 One-piece mechanism (grid + mechanism).

### 2. RANGE

Description	White	Black	Titanium
Connected 2P+E socket, with safety shutter. With activity and identification LED indicator and RESET button (hidden) used to return to factory settings. Supplied with site protection covers. To be fitted with a finishing plate.	CB0460	CN0460	CT0460

### 3. DIMENSIONS (mm)

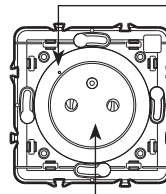


A	B	C	D
74	74	41	10

### 4. CONNECTION

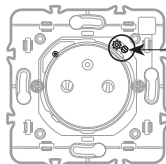
Terminal type: automatic  
 Terminal capacity: 2 x 2.5 mm<sup>2</sup>  
 Stripping length: 11 mm

### 5. OPERATION



LED indicator:  
 - useful during installation  
 - indicator function can be activated in the Home + Control app

16 A connected socket outlet  
 Extra built-in protection in the event of overloads of more than 16 A



RESET button  
 used to return to factory settings

### 6. TECHNICAL CHARACTERISTICS

#### 6.1 Mechanical characteristics

Protection against impacts: IK 04  
 Protection against solid bodies and/or liquids: IP 41

#### 6.2 Material characteristics

Mechanism casing: PC  
 Grid: 6.6 PC + Galfan steel  
 Cover plate: painted PC  
 Halogen-free  
 UV-resistant  
 Self-extinguishing:  
 850°C/30 s for insulating components holding live parts in place.  
 650°C/30 s for other insulating components.

## 6. TECHNICAL CHARACTERISTICS *(continued)*

### ■ 6.3 Electrical characteristics

Voltage: 110/230 V~

Current: 16 A

Power: 3680 W max.

Standby consumption: 1.6 mA

### Zigbee technology

Frequency bands: 2.4 GHz to 2.4835 GHz

Power level: < 100 mW

Range: 200 m of unobstructed space between 2 wired products

10 m between products indoors

### ■ 6.4 Climate characteristics

Storage temperature: 0°C to +45°C

Usage temperature: +5°C to +45°C

## 7. CARE

Clean the surface with a cloth.

Do not use acetone, tar-removing cleaning agents or trichloroethylene.

Resistant to the following products: Hexane (EN 60669-1), methylated spirit, soapy water, diluted ammonia, bleach diluted to 10%, window-cleaning products, pre-impregnated wipes.

**Caution:** Always test before using special cleaning products.

## 8. ACCESSORIES

Replacement cover plate: CB1460: White

CN1460: Noir

CT1460: Titanium

## 9. STANDARDS AND APPROVALS

Compliant with installation and manufacturing standards.

See e-catalogue.

The undersigned, LEGRAND, declares that the radio-electric equipment type (CB0460 - CN0460 - CT0460) complies with directive 2014/53/EU.

The full text of the EU declaration of conformity is available on the following website: [www.legrand.com/ecatalogue](http://www.legrand.com/ecatalogue)