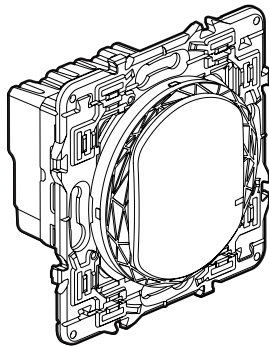


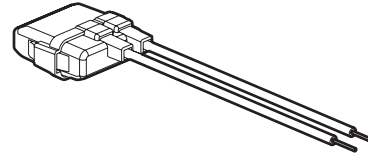
# Céliane™ with Netatmo

## Connected switch 125 W LED without neutral with dimmer option

Cat. Nos: CB0403 - CN0403 - CT0403



CB0403



0 401 49

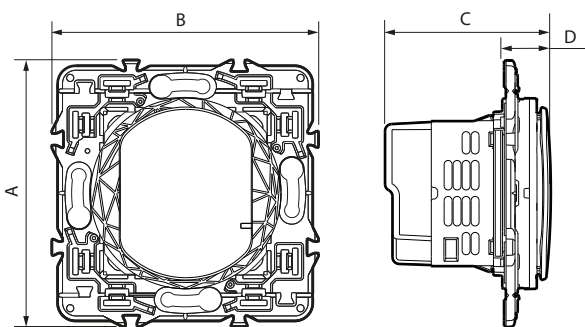
### 1. USE

Connected switch without neutral 125 W LED with dimmer option, configured by default as ON/OFF (dimmer mode can be activated from the Home + Control app).  
Can be combined with one or more wireless lighting controls. For local or remote control of your lighting.  
Supplied with an active power compensator (Cat. No. 0 401 49), mandatory to ensure optimum operation with commercially-available lamps. One compensator per lighting circuit is sufficient.  
Easy to install in place of a standard switch in a box 40 mm deep (minimum).  
To be equipped with cover plate.

### 2. RANGE

Description	White	Black	Titanium
Product for use in conjunction with the starter pack. With LED indicator (configuration) and RESET button (hidden) used to return to factory settings. Supplied site protection covers.	CB0403	CN0403	CT0403

### 3. DIMENSIONS (mm)

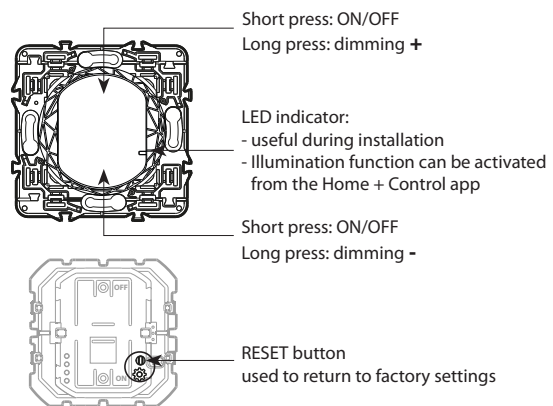


A	B	C	D
74	74	46	13

### 4. CONNECTION

Terminal type : with screws  
Terminal capacity: 2 x 1.5 mm<sup>2</sup> or 2 x 2.5 mm<sup>2</sup>  
Stripping length: 8 mm  
Flat screwdriver: 3 mm

### 5. OPERATION



### 6. TECHNICAL CHARACTERISTICS

#### 6.1 Mechanical characteristics

Protection against impacts: IK 04  
Protection against solid bodies/liquids: IP 20

#### 6.2 Material characteristics

Grid: 6.6 PA + Galfan steel  
Mechanism casing: PC

Rocker: ABS

Halogen-free  
UV-resistant

Self-extinguishing:

850°C/30 s for insulating components holding live parts in place.  
650°C/30 s for other insulating components.

#### 6.3 Electrical characteristics

Voltage: 110-240 V~

Power: 125 W

Frequency: 50/60 Hz

Standby consumption: 2.2 mA

The connected switch without neutral (with dimmer option) works with standard or dimmable bulbs including LED. LED dimmable bulbs are mandatory for an optimal dimmer usage.

**Zigbee technology** 2.4 GHz to 2.4835 GHz

Power level: < 100 mW

Range: 200 m of unobstructed space

10 m between products indoors

## 6. TECHNICAL CHARACTERISTICS *(continued)*

### ■ 6.4 Climate characteristics

Usage temperature: + 5°C to + 45°C

Storage temperature: 0°C to + 45°C

## 7. CARE

Clean the surface with a cloth.

Do not use acetone, tar-removing cleaning agents or trichloroethylene.

Resistant to the following products: Hexane, methylated spirit, soapy water, diluted ammonia, bleach diluted to 10%, window-cleaning products, pre-impregnated wipes.

**Caution:** Always test before using special cleaning products.

## 8. ACCESSORIES

Replacement rocker plate: CB1403: White

CN1403: Black

CT1403: Titanium

## 9. STANDARDS AND APPROVALS

Compliant with installation and manufacturing standards.

See e-catalogue.

The undersigned, LEGRAND, declares that the radio-electric equipment type (CB1403 - CN1403 - CT1403) complies with directive 2014/53/EU.

The full text of the EU declaration of conformity is available on the following website: [www.legrand.com/ecatalogue](http://www.legrand.com/ecatalogue)