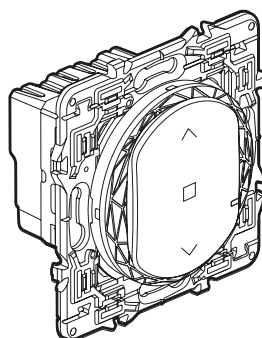


Céliane™ with Netatmo

Connected switch for roller shutters and orientable sun shades

Cat. Nos: CB0431 - CN0431 - CT0431



1. USE

For local or remote control of roller shutters or orientable sun shades remotely or locally.

Can be combined with one or more wireless roller shutters controls.

Can be installed in place of an existing roller shutters switch in a flush-mounting box 40 mm deep (minimum).

The Céliane with Netatmo solution is compatible with roller shutters and orientable sun shades (OSS) with a mechanical or electromechanical stop, controlled by a standard wired switch for roller shutter.

Caution: Must be connected to the neutral.

Not compatible with radio-controlled roller shutters motors.

Screw fixing.

Self calibration function to enable roller shutters level control.

Orientable sun shades control function (to be selected in Home + Control App).

2. RANGE

Connected switch for roller shutters and orientable sun shades.

Supplied with rocker plate and site protection cover.

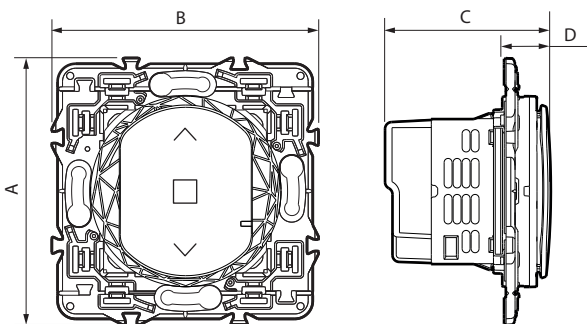
Equipped with an LED indicator.

Hidden reset button used to return to factory settings.

To be equipped with plate

White	Black	Titanium
CB0431	CN0431	CT0431

3. DIMENSIONS (mm)



A	B	C	D
74	74	46	13

4. CONNECTION

Terminal type: screw

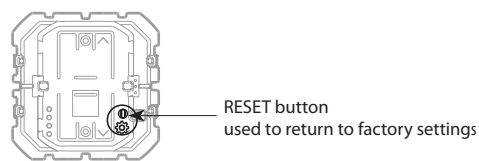
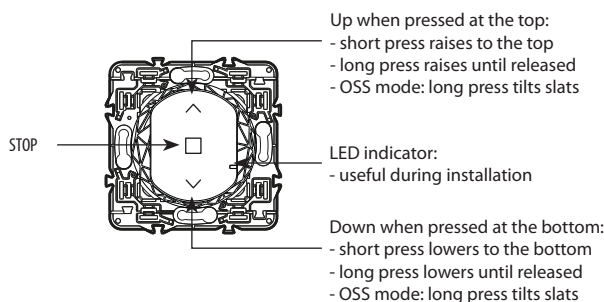
Terminal capacity: 1 x 2.5 mm² - 2 x 1.5 mm²

Stripping length: 8 mm

Screwdriver: 3 mm flat

5. OPERATION

Integrated time delay for up/down inversion = 500 ms



6. TECHNICAL CHARACTERISTICS

■ 6.1 Mechanical characteristics

Protection against impacts: IK 04

Protection against solid bodies/liquids: IP 41 assembled product

■ 6.2 Material characteristics

Mechanism casing: PC

Grid: 6.6 PA + Galfan steel

Rocker plate: painted ABS

Halogen-free

UV-resistant

Self-extinguishing:

850°C/30 s for insulating components holding live parts in place.

650°C/30 s for other insulating components.

6. TECHNICAL CHARACTERISTICS *(continued)*

■ 6.3 Electrical characteristics

Voltage: 110/230 V~

Current: 2 A

Power: 500 W bulb

Standby consumption: 0.1 mA

Zigbee technology 2.4 GHz to 2.4835 GHz

Power level: < 100 mW

Range: 200 m of unobstructed space

10 m between products

■ 6.4 Climate characteristics

Storage temperature: 0°C to +45°C

Usage temperature: +5°C to +45°C

7. CARE

Clean the surface with a cloth.

Do not use acetone, tar-removing cleaning agents or trichloroethylene.

Resistant to the following products: Hexane (EN 60669-1), methylated spirit, soapy water, diluted ammonia, bleach diluted to 10%, window-cleaning products, pre-impregnated wipes.

Caution: Always test before using special cleaning products.

8. ACCESSORIES

Replacement rocker plate: CB1431: White

CN1431: Black

CT1431: Titanium

9. STANDARDS AND APPROVALS

Compliant with installation and manufacturing standards.

See e-catalogue.

The undersigned, LEGRAND, declares that the radio-electric equipment type (CB1431 - CN1431 - CT1431) complies with directive 2014/53/EU.

The full text of the EU declaration of conformity is available on the following website: www.legrand.com/ecatalogue