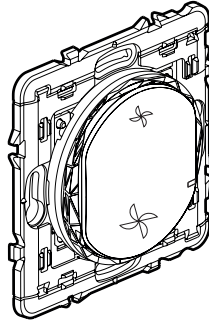


Connected wireless control for 2-speed exhaust fan



1. USE

2-speed exhaust fan wireless switch to control exhaust fan micromodule (Cat. No 0 677 66).

- Fixes directly on the wall or screws onto a flush-mounting box. Multi-gang versions can be combined with other wiring accessories.
- Fits on a furniture (movable).

Can control up to 20 exhaust fan micromodules.

2. RANGE

Connected wireless control for 2-speed exhaust fan.

Supplied with battery.

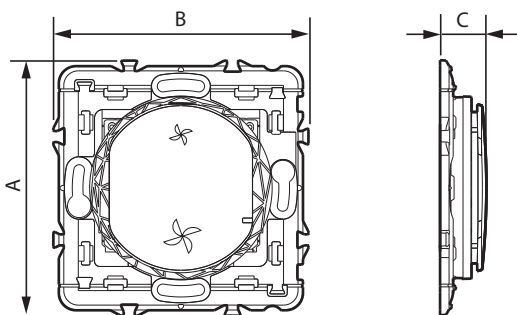
With LED indicator (configuration) and RESET button (hidden) used to return to factory settings.

Repositionable self-adhesive fixings supplied.

To be equipped with plate.

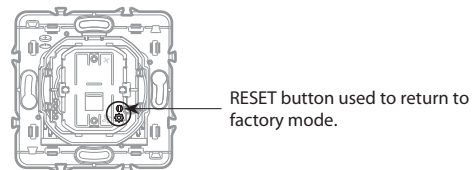
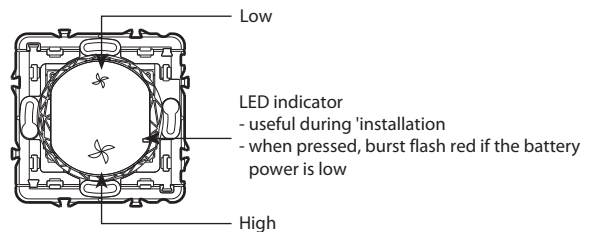
White	Black	Titanium
CB0411	CN0411	CT0411

3. DIMENSIONS (mm)



A	B	C
74	74	13

4. FUNCTION



5. TECHNICAL CHARACTERISTICS

■ **5.1 Mechanical characteristics**

Protection against impacts: IK 02

Protection against solid bodies/liquids: IP 20

■ **5.2 Material characteristics**

Mechanism casing with grid: Fibreglass-reinforced (10%) PC

Rocker plate: painted ABS

Halogen-free

UV-resistant

Self-extinguishing: 650°C/30 s

■ **5.3 Electrical characteristics**

Powered by a CR2032 - 3 V lithium battery (supplied)

Battery life: 8 years for 10 activations a day

Frequency band: 2.4 to 2.44835 GHz

Power level: < 100 mW

■ **5.4 Climate characteristics**

Usage temperature: + 5°C to + 45°C

Storage temperature: 0°C to + 45°C

6. CARE

Clean the surface with a cloth.

Do not use acetone, tar-removing cleaning agents or trichloroethylene.

Resistant to the following products: Hexane (EN 60669-1), methylated spirit, soapy water, diluted ammonia, bleach diluted to 10%, window-cleaning products, pre-impregnated wipes.

Caution: Always test before using special cleaning products.



Take care to recycle the battery appropriately

7. ACCESSORIES

0 648 71: Repositionable adhesives for wireless control (supplied)

8. STANDARDS AND APPROVALS

The undersigned, LEGRAND, declares that the radio-electric equipment type (CB0411 - CN0411 - CT0411) complies with directive 2014/53/EU.

The full text of the EU declaration of conformity is available on the following website: www.legrand.com/ecatalogue

Compliant with installation and manufacturing standards.

See e.catalogue.