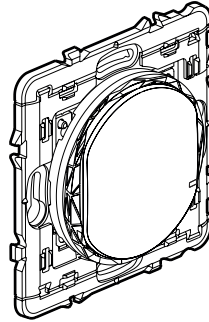


Céliane™

Connected 1-gang ON/OFF wireless control for lighting and sockets

Cat. Nos: CB0402 - CN0402 - CT0402



1. USE

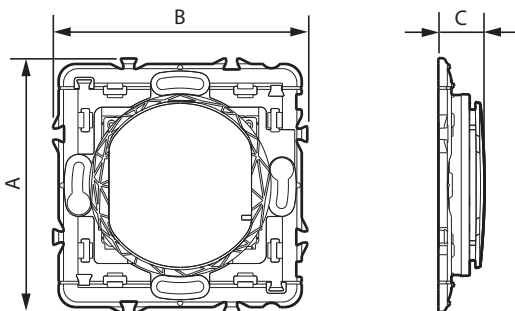
Wireless control for one ON/OFF light function or connected socket. Controls micromodule products, connected sockets and connected dimmer switches.
 Can be used as a two-way switch or to control a lighting group.
 • Fixes directly on the wall or screws onto a flush-mounting box.
 Multi-gang versions can be combined with other wiring accessories.
 • Fits on a piece of furniture (movable).
 Can be combined with 20 connected switches with dimming option or connected sockets.

2. RANGE

Wireless lighting and socket control, for an ON/OFF, dimmer, centralisation function.
 Supplied with battery.
 Equipped with an LED indicator (configuration) and a RESET button (hidden) used to return to factory settings.
 Repositionable self-adhesive fixings supplied.

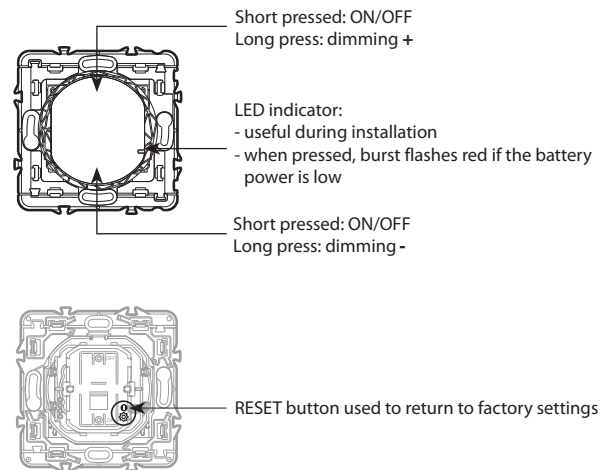
White	Black	Titanium
CB0402	CN0402	CT0402

3. DIMENSIONS (mm)



A	B	C
82	90	13

4. OPERATION



5. TECHNICAL CHARACTERISTICS

■ 5.1 Mechanical characteristics

Protection against impacts: IK 02
 Protection against solid bodies/liquids: IP 20

■ 5.2 Material characteristics

Mechanism casing with grid: Fibreglass-reinforced (10%) PC
 Rocker plate: painted ABS
 Halogen-free
 UV-resistant
 Self-extinguishing: 650°C/30 s

■ 5.3 Electrical characteristics

Powered by a CR2032 - 3 V lithium battery (supplied)
 Battery life: 8 years for 10 activations a day

ZigBee radio technology

Frequency: 2.4 GHz to 2.4835 GHz
 Power level: < 100 mW

■ 5.4 Climate characteristics

Usage temperature: +5°C to +45°C
 Storage temperature: 0°C to +45°C

Connected 1-gang ON/OFF wireless control for lighting and sockets

6. CARE

Clean the surface with a cloth.

Do not use acetone, tar-removing cleaning agents or trichloroethylene.

Resistant to the following products: Hexane (EN 60669-1), methylated spirit, soapy water, diluted ammonia, bleach diluted to 10%, window-cleaning products, pre-impregnated wipes.

Caution: Always test before using special cleaning products.



Take care to recycle the battery appropriately

7. ACCESSORIES

0 648 71: Repositionable adhesive for wireless control (supplied)

Replacement rocker plate: CB1403 White

CN1403 Black

CT1403 Titanium

8. STANDARDS AND APPROVALS

The undersigned, LEGRAND, declares that the radio-electric equipment type (0 677 23A/73A - 0 648 93A) complies with directive 2014/53/EU.

The full text of the EU declaration of conformity is available on the following website: www.legrand.com/ecatalogue