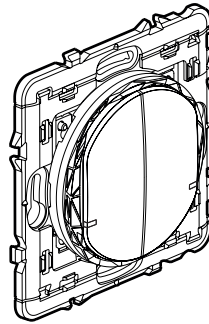


# Céliane™

## Connected 2-gang ON/OFF wireless control for lighting and sockets

Cat. Nos: CB0415 - CN0415 - CT0415



### 1. USE

Wireless control for 2 ON/OFF light functions or connected socket. Controls micromodule products, connected sockets and connected dimmer switches.

Can be used as a two-way switch or to control a lighting group.

- Fixes directly on the wall or screws onto a flush-mounting box.
- Multi-gang versions can be combined with other wiring accessories.
- Fits on a piece of furniture (movable).

Can control up to 20 micromodules, connected sockets, connected dimmer switches.

### 2. RANGE

2-gang wireless lighting and socket control for an ON/OFF, dimmer, centralisation function.

Supplied with battery.

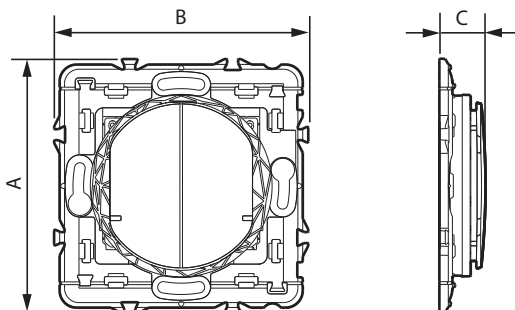
With LED indicator (configuration) and RESET button (hidden) used to return to factory settings.

Repositionable self-adhesive fixings supplied.

To be equipped with plate.

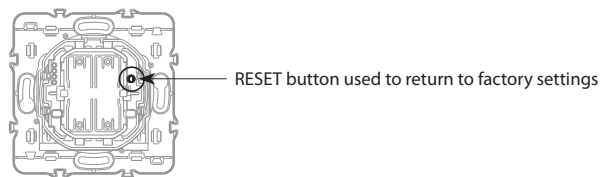
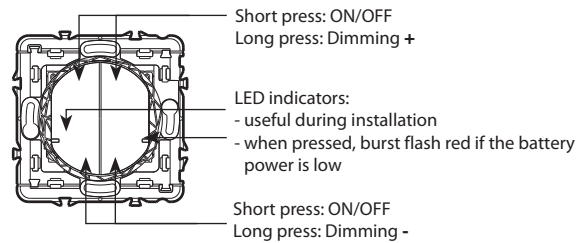
White	Black	Titanium
CB0415	CN0415	CT0415

### 3. DIMENSIONS



A	B	C
74	74	13

### 4. OPERATION



### 5. TECHNICAL CHARACTERISTICS

#### ■ 5.1 Mechanical characteristics

Protection against impacts: IK 02

Protection against solid bodies/liquids: IP 20

#### ■ 5.2 Material characteristics

Mechanism casing with grid: Fibreglass-reinforced (10%) PC

Rocker plate: painted ABS

Halogen-free

UV-resistant

Self-extinguishing: 650°C/30 s

#### ■ 5.3 Electrical characteristics

Powered by a CR2032 - 3 V lithium battery (supplied)

Battery life: 8 years for 10 activations a day

#### ZigBee radio technology

Frequency: 2.4 GHz to 2.4835 GHz

Power level: < 100 mW

#### ■ 5.4 Climate characteristics

Usage temperature: +5°C to +45°C

Storage temperature: 0°C to +45°C

## Connected 2-gang ON/OFF wireless control for lighting and sockets

### 6. CARE

Clean the surface with a cloth.

Do not use acetone, tar-removing cleaning agents or trichloroethylene.

Resistant to the following products: Hexane (EN 60669-1), methylated spirit, soapy water, diluted ammonia, bleach diluted to 10%, window-cleaning products, pre-impregnated wipes.

**Caution:** Always test before using special cleaning products.



Take care to recycle the battery appropriately

### 7. ACCESSORIES

0 648 71: Repositionable adhesive for wireless control (supplied)

Replacement rocker plate: CB1415 White

CN1415 Black

CT1415 Titanium

### 8. STANDARDS AND APPROVALS

The undersigned, LEGRAND, declares that the radio-electric equipment type (CB0415 - CN0415 - CT0415) complies with directive 2014/53/EU.

The full text of the EU declaration of conformity is available on the following website: [www.legrand.com/ecatalogue](http://www.legrand.com/ecatalogue)