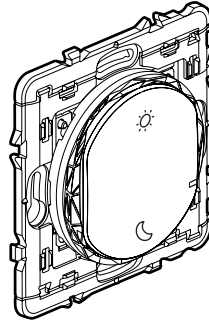


# Céliane™ with Netatmo Connected Wake up/Sleep wireless control

Cat. Nos: CB0412 - CN0412 - CT0412



## 1. USE

Used to control wake up/sleep scenes involving lights, roller shutters and connected sockets.

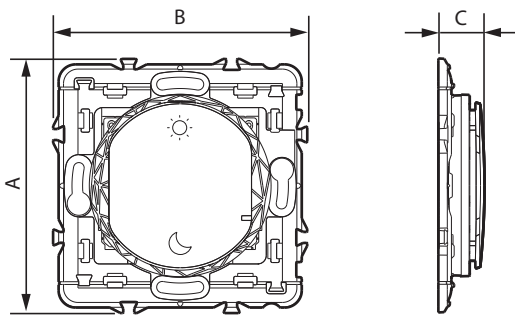
- Fixes directly on the wall or screws onto a flush-mounting box.
- Multi-gang versions can be combined with other wiring accessories.
- Fits on a piece of furniture (movable).

## 2. RANGE

Wake up/Sleep wireless control, with battery.  
 Equipped with an LED indicator (configuration) and a RESET button (hidden) used to return to factory settings.  
 Repositionable self-adhesive fixings supplied.  
 To be equipped with cover-plate.

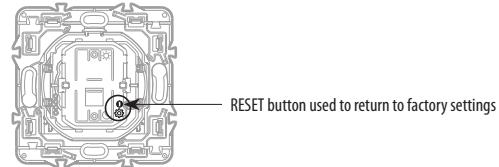
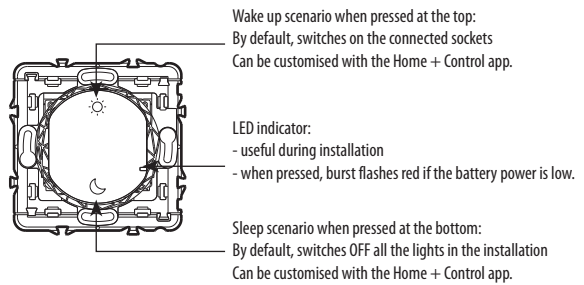
White	Black	Titanium
CB0412	CN0412	CT0412

## 3. DIMENSIONS



A	B	C
74	74	13

## 4. OPERATION



## 5. TECHNICAL CHARACTERISTICS

### ■ 5.1 Mechanical characteristics

Protection against impacts: IK 02  
 Protection against solid bodies/liquids: IP 20

### ■ 5.2 Material characteristics

Mechanism with grid: Fibreglass-reinforced (10%) PC  
 Rocker plate: painted ABS  
 Halogen-free  
 UV-resistant  
 Self-extinguishing: 650°C/30 s

### ■ 5.3 Electrical characteristics

Powered by a CR2032 - 3 V lithium battery (supplied)  
 Battery life: 8 years for 10 activations a day

### ZigBee radio technology

frequency: 2.4 GHz to 2.4835 GHz  
 Power level: < 100 mW

### ■ 5.4 Climate characteristics

Usage temperature: +5°C to +45°C  
 Storage temperature: 0°C to +45°C

## 6. CARE

Clean the surface with a cloth.  
Do not use acetone, tar-removing cleaning agents or trichloroethylene.

Resistant to the following products: Hexane (EN 60669-1), methylated spirit, soapy water, diluted ammonia, bleach diluted to 10%, window-cleaning products, pre-impregnated wipes.

**Caution:** Always test before using special cleaning products.



Take care to recycle the battery appropriately

## 7. ACCESSORIES

0 648 71: Repositionable adhesive for wireless control (supplied)  
Replacement rocker plate: CB1412: White  
CN1412: Black  
CT1412: Titanium

## 8. STANDARDS AND APPROVALS

The undersigned, LEGRAND, declares that the radio-electric equipment type (CB0412 - CN0412 - CT0412) complies with directive 2014/53/EU.  
The full text of the EU declaration of conformity is available on the following website: [www.legrand.com/ecatalogue](http://www.legrand.com/ecatalogue)