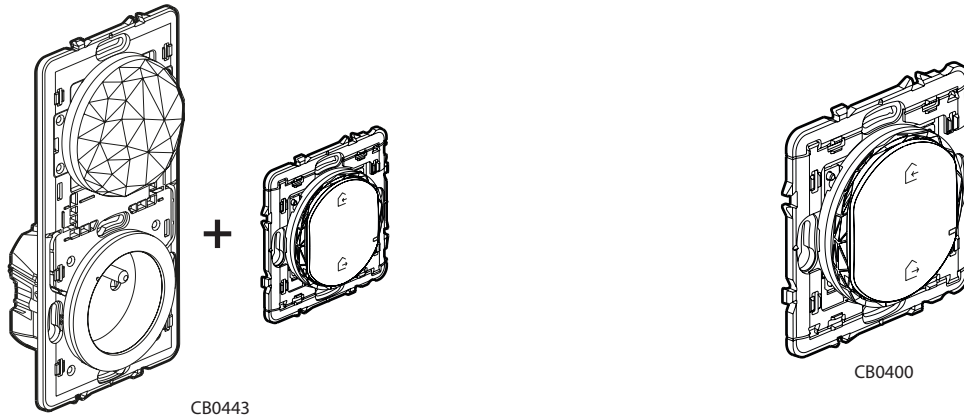


# Céliane™ with Netatmo Connected starter pack and additional wireless general control

Cat. No(s): CB0443 - CN0443 - CT0443  
 CB0400 - CN0400 - CT0400



## 1. USE

This pack enables you to create a connected installation in your home. It can be used to control lighting, roller shutters and electrical equipment plugged into connected sockets:

- using your smartphone and the Home + Control app
- using voice assistants
- from the general control at the entrance to your home

### Comprises:

#### • A Control socket (Zigbee relay/WiFi)

Installation in 1-gang box 40 mm deep (minimum), instead of a standard socket outlet.

Claw and/or screw fixing.

Connected socket which can be controlled by a wireless lighting control and/or remotely via your smartphone.

The socket can be used to measure instantaneous and total consumption of the connected device, which can be viewed on the Home + Control app.

One-piece mechanism (grid + mechanism).

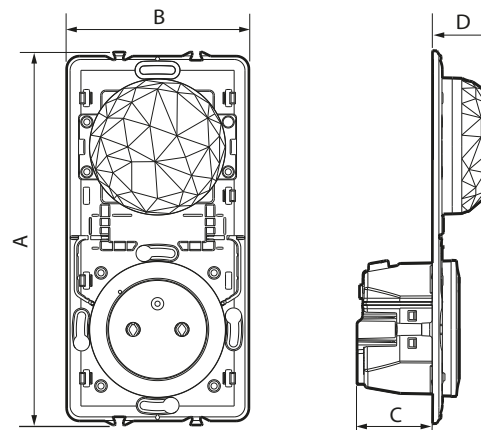
#### • A wireless general control, used to control leaving home/coming home scenes involving lights, roller shutters and connected sockets.

- Fixes directly on the wall or screws onto a flush-mounting box. Multi-gang versions can be combined with other wiring accessories.
- Fits on a piece of furniture (movable).

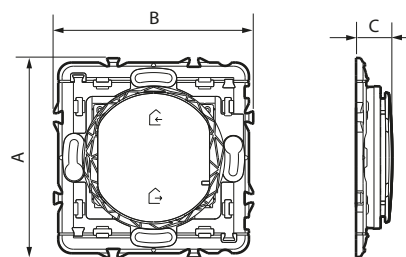
## 2. RANGE

Description	White	Black	Titanium
<b>Connected starter pack</b> includes: 1 connected relay socket + 1 wireless general control (supplied with battery). Supplied with site protection cover. Equipped with a RESET button (hidden) used to return to factory settings. To be equipped with plate.	CB0443	CN0443	CT0443
<b>Additional wireless general control.</b> Supplied with battery. Equipped with an LED indicator (configuration) and a RESET button (hidden) used to return to factory settings. Repositionable self-adhesive fixings supplied. To be equipped with plate.	CB0400	CN0400	CT0400

## 3. DIMENSIONS (mm)

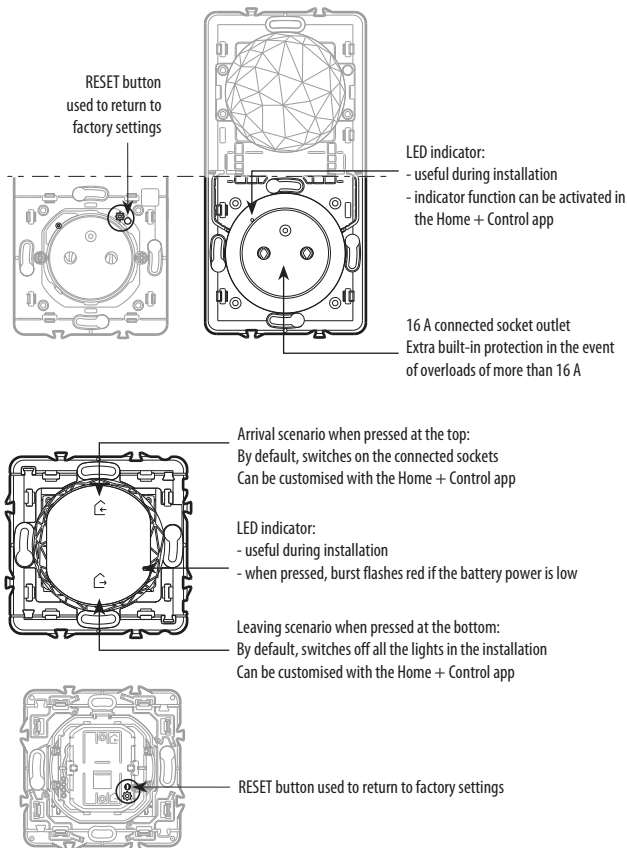


Control socket	A	B	C	D
	145	71	31	23



Wireless general control	A	B	C
	74	74	13

#### 4. OPERATION



**!** The starter pack is pre-paired at the factory.  
 Never perform a factory RESET on the control socket and the wireless general control at the same time, as this may render them unusable.

#### 5. CONNECTION

##### Control socket

Terminal type: automatic  
 Terminal capacity: 2 x 2.5 mm<sup>2</sup>  
 Stripping length: 11 mm

#### 6. TECHNICAL CHARACTERISTICS - RELAY SOCKET

##### 6.1 Mechanical characteristics

Protection against impacts: IK 04  
 Protection against solid bodies and/or liquids: IP 40 assembled product

##### 6.2 Caractéristiques matières

Mechanism casing + support: Fibreglass-reinforced (20%) PC

Cover plate: painted PC

Halogen-free  
 UV-resistant

Self-extinguishing:  
 850°C/30 s for insulating components holding live parts in place.  
 650°C/30 s for other insulating components.

##### 6.3 Electrical characteristics

Voltage: 110 - 230 V~  
 Current: 16 A  
 Power: 3680 W max.  
 Frequency: 50/60 Hz  
 Standby consumption: 7.2 mA

#### 6. TECHNICAL CHARACTERISTICS - RELAY SOCKET (continued)

**ZigBee radio technology** frequency: 2.4 GHz to 2.4835 GHz  
 Power level: < 100 mW

Range: 200 m of unobstructed space  
 10 m recommended between products indoors

##### 6.4 Climate characteristics

Storage temperature: 0°C to +45°C  
 Usage temperature: +5°C to +45°C

#### 7. TECHNICAL CHARACTERISTICS - GENERAL CONTROL

##### 7.1 Mechanical characteristics

Protection against impacts: IK 02  
 Protection against solid bodies and/or liquids: IP 20

##### 7.2 Caractéristiques matières

Mechanism casing + support: Fibreglass-reinforced (10%) PC

Rocker plate: painted ABS

Halogen-free  
 UV-resistant

Self-extinguishing: 650°C/30 s

##### 7.3 Electrical characteristics

Powered by a CR2032 - 3 V lithium battery (supplied)  
 Battery life: 8 years for 10 activations a day

**ZigBee radio technology** frequency: 2.4 GHz to 2.4835 GHz  
 Power level: < 100 mW

##### 7.4 Climate characteristics

Storage temperature: 0°C to + 45°C  
 Usage temperature: +5°C to + 45°C

#### 8. CARE

Clean the surface with a cloth.

Do not use acetone, tar-removing cleaning agents or trichloroethylene.

Resistant to the following products: Hexane (EN 60669-1), methylated spirit, soapy water, diluted ammonia, bleach diluted to 10%, window-cleaning products, pre-impregnated wipes.

**Caution:** Always test before using special cleaning products.



Take care to recycle the battery appropriately.

#### 9. ACCESSORIES

0 648 71: Repositionable adhesive for wireless control (supplied)

CB1431: White rocker plate

CN1431: Black rocker plate

CT1431: Titanium rocker plate

CB1460: White cover plate

CN1460: Black cover plate

CT1460: Titanium cover plate

#### 10. STANDARDS AND APPROVALS

The undersigned, LEGRAND, declares that the radio-electric equipment typ (CB0443 - CN0443 - CT0443 - CB0400 - CN0400 - CT0400) complies with directive 2014/53/EU.

The full text of the EU declaration of conformity is available on the following website: [www.legrand.com/ecatalogue](http://www.legrand.com/ecatalogue)