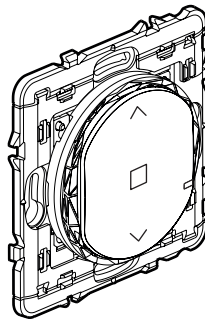


# Céliane™ with Netatmo

## Connected wireless control for roller shutters and orientable sun shades

Cat. No(s): CB0432 - CN0432 - CT0432



### 1. USE

Zone or centralised control for wired roller shutters and orientable sun shades switches.

- Fixes directly on the wall or screws onto a flush-mounting box.
- Multi-gang versions can be combined with other wiring accessories.
- Fits on a piece of furniture (movable).

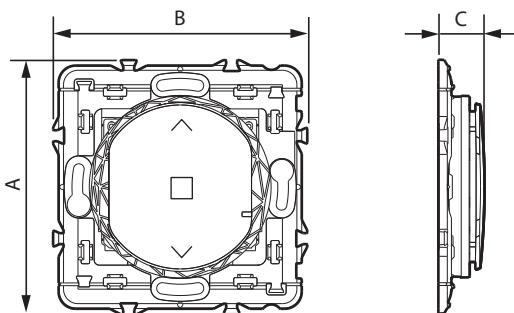
Can control up to 20 roller shutters switches.  
 Requires the prior installation of a starter pack for connected installation "...with Netatmo".

### 2. RANGE

Connected wireless control for roller shutters and orientable sun shades.  
 Supplied with battery.  
 Equipped with an LED indicator (configuration) and a RESET button (hidden) used to return to factory settings.  
 Repositionable self-adhesive fixings supplied.  
 To be equipped with plate.

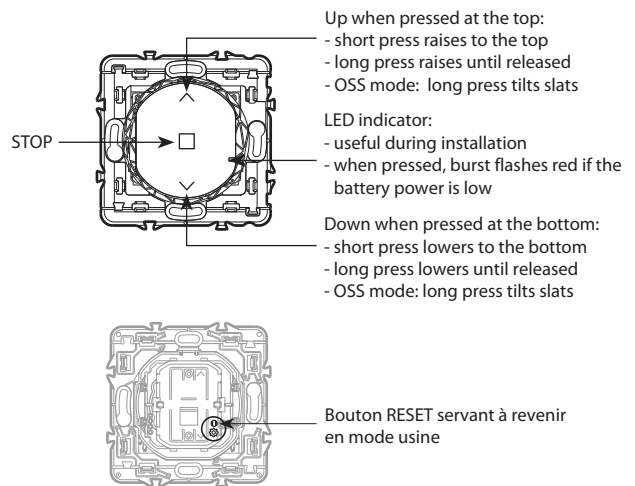
White	Black	Titanium
CB0432	CN0432	CT0432

### 3. DIMENSIONS (mm)



A	B	D
74	74	13

### 4. FUNCTION



### 5. TECHNICAL CHARACTERISTICS

- **5.1 Mechanical characteristics**  
 Protection against impacts: IK 02  
 Protection against solid bodies and liquids: IP 20
- **5.2 Material characteristics**  
 Mechanism with grid: Fibreglass-reinforced (10%) PC  
 Rocker-plate: painted ABS  
 Halogen-free  
 UV-resistant  
 Self-extinguishing: 650°C/30 s
- **5.3 Electrical characteristics**  
 Powered by a CR2032 - 3 V lithium battery (supplied)  
 Battery life: 8 years for 10 activations a day
- **ZigBee radio technology**  
 Frequency: 2.4 GHz to 2.4835 GHz  
 Power level: < 100 mW)
- **5.4 Climate characteristics**  
 Usage temperature: +5°C to +45°C  
 Storage temperature: 0°C to +45°C

# Céliane™ with Netatmo

## Connected wireless control for roller shutters and orientable sun shades

Cat. No(s): CB0432 - CN0432 - CT0432

### 6. CARE

Clean the surface with a cloth.

Do not use acetone, tar-removing cleaning agents or trichloroethylene.

Resistant to the following products: Hexane (EN 60669-1), methylated spirit, soapy water, diluted ammonia, bleach diluted to 10%, window-cleaning products, pre-impregnated wipes.

**Caution:** Always test before using special cleaning products.



Take care to recycle the battery appropriately.

### 7. ACCESSORIES

0 648 71: Repositionable adhesive for wireless control (supplied).

### 8. STANDARDS AND APPROVALS

The undersigned, LEGRAND, declares that the radio-electric equipment type (CB0432 - CN0432 - CT0432) complies with directive 2014/53/UE. The full text of the EU declaration of conformity is available on the following website: [www.legrand.com/ecatalogue](http://www.legrand.com/ecatalogue)