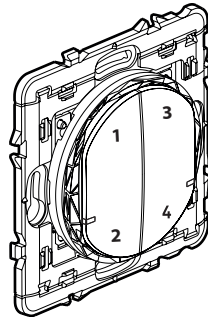


Céliane™

Wireless 4 scenes control

Cat. No(s): CB0414 - CN0414 - CT0414



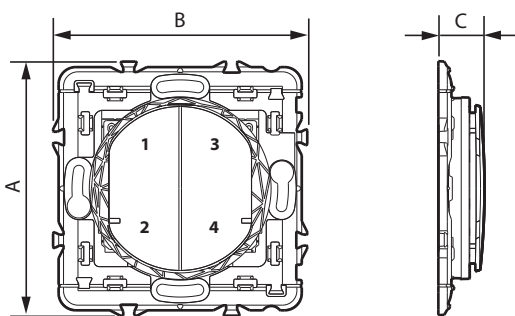
1. USE

Allows control of all connected wired controls (lights, appliances, roller shutters).
 Requires the prior installation of a starter pack for connected installation "...with Netatmo".
 Fixes directly on the wall or screws onto a flush-mounting box.
 Multi-gang versions can be combined with other wiring accessories.
 Fits on a furniture (movable).

2. RANGE

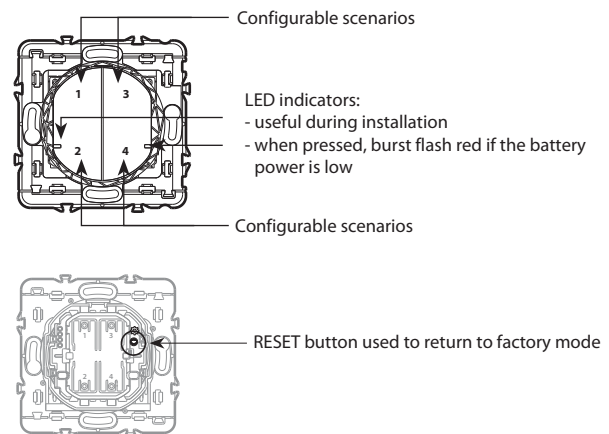
Description	White	Black	Titanium
Wireless control connected, 4 configurable scenarios. Supplied with battery. With LED indicator (configuration) and RESET button (hidden) used to return to factory settings. Repositionable self-adhesive fixings supplied. To be equipped with plate.	CB0414	CN0414	CT0414

3. DIMENSIONS (mm)



A	B	C
74	74	13

4. OPERATION



5. TECHNICAL CHARACTERISTICS

- **5.1 Mechanical characteristics**
 Protection against impacts: IK 02
 Protection against solid bodies/liquids: IP 20
- **5.2 Material characteristics**
 Mechanism casing with grid: Fibreglass-reinforced (10%) PC
 Rocker plate: painted ABS
 Halogen-free
 UV-resistant
 Self-extinguishing: 650°C/30 s
- **5.3 Electrical characteristics**
 Powered by a CR2032 - 3 V lithium battery (supplied)
 Battery life: 8 years for 10 activations a day
 Frequency band: 2.4 to 2.44835 GHz
 Power level: < 100 mW
- **5.4 Climate characteristics**
 Usage temperature: + 5°C to + 45°C
 Storage temperature: 0°C to + 45°C

6. CARE

Clean the surface with a cloth.
Do not use acetone, tar-removing cleaning agents or trichloroethylene.

Resistant to the following products: Hexane (EN 60669-1), methylated spirit, soapy water, diluted ammonia, bleach diluted to 10%, window-cleaning products, pre-impregnated wipes.

Caution: Always test before using special cleaning products.



Take care to recycle the battery appropriately

7. ACCESSORIES

0 648 71: Repositionable adhesives for wireless control (supplied).

8. STANDARDS AND APPROVALS

The undersigned, LEGRAND, declares that the radio-electric equipment type (CB0414 - CN0414 - CT0414) complies with directive 2014/53/EU.

The full text of the EU declaration of conformity is available on the following website: www.legrand.com/ecatalogue

Compliant with installation and manufacturing standards.
See e.catalogue.