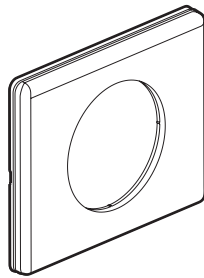
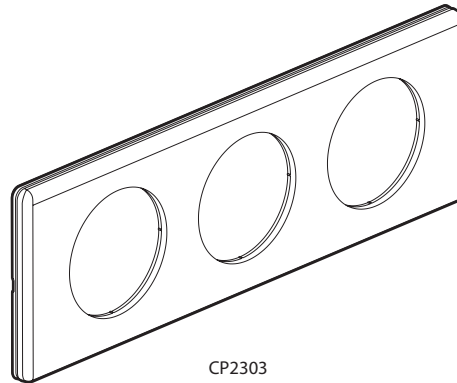


Material plates - porcelain finish



CP2301




CP2303

1. USE

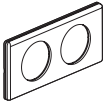
Faceplates for 1-gang to 3-gang wiring accessories.
 Horizontal or vertical mounting.
 Indoor use only.

2. RANGE

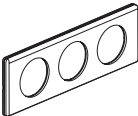
1-gang plate

	Limoges porcelain	CP2301
---	-------------------	--------

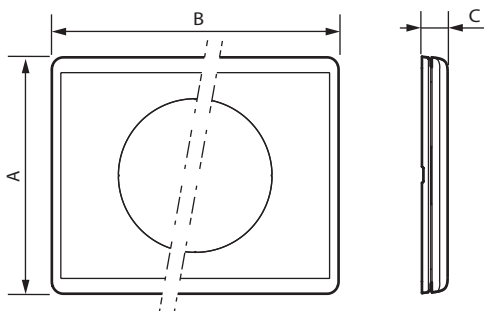
2-gang plate - Center distance 71 mm

	Limoges porcelain	CP2302
---	-------------------	--------

3-gang plates - Center distance 71 mm

	Limoges porcelain	CP2303
---	-------------------	--------

3. DIMENSIONS (mm)



References	A	B	C
CP2301	83	100	9
CP2302	83	171	9
CP2303	83	242	9

4. TECHNICAL CHARACTERISTICS

■ **4.1 Mechanical characteristics**
 Protection against impacts: IK 04

■ **4.2 Material characteristics**
 Plate: glazed porcelain
 Sub-plate: black PC
 Halogen-free
 UV-resistant
 Self-extinguishing: 650°C/30 s

■ **4.3 Climate characteristics**
 Storage temperature: - 10°C to + 70°C
 Usage temperature: - 5°C to + 50°C

5. CLEANING

Surface cleaning with a cloth.
 Do not use: acetone, tar remover, trichloroethylene.
 Resistance to the following products:
 Hexane, methylated spirit, soapy water, window-cleaning products.

Caution: Always test before using other special cleaning products

No paint should be applied to the plates.

6. STANDARDS AND APPROVALS

Compliant with installation and manufacturing standards.
 See e-catalogue.