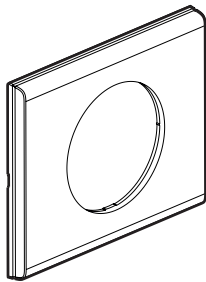
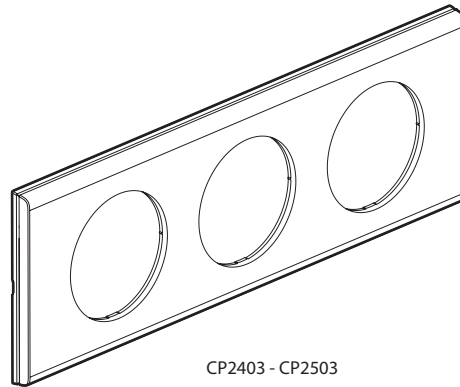


**Céliane™**  
**Material plates - wood finish**

Cat. No(s): CP2401/02/03/04/08  
 CP2501/02/03/04/08



CP2401 - CP2501



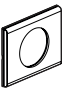
CP2403 - CP2503

**1. USE**

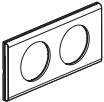
Faceplates for 1-gang to 4-gang wiring accessories.  
 Horizontal or vertical mounting.

**2. RANGE**

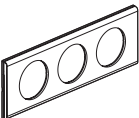
**1-gang plates**

	Oak Wengue ash	CP2401 CP2501
---	-------------------	------------------

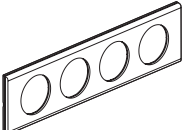
**2-gang plates - Center distance 71 mm**

	Oak Wengue ash	CP2402 CP2502
---	-------------------	------------------

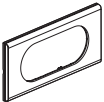
**3-gang plates - Center distance 71 mm**

	Oak Wengue ash	CP2403 CP2503
---	-------------------	------------------

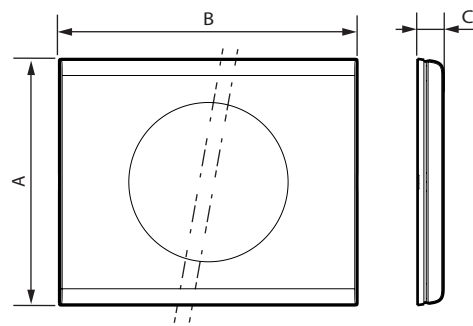
**4-gang plates - Center distance 71 mm**

	Oak Wengue ash	CP2404 CP2504
---	-------------------	------------------

**Extended 2-station plates (4/5 modules)**

	Oak Wengue ash	CP2408 CP2508
---	-------------------	------------------

**3. DIMENSIONS (mm)**



References	A	B	C
CP2401 - CP2501	83	101	9
CP2402 - CP2502	83	172	9
CP2403 - CP2503	83	243	9
CP2404 - CP2504	83	314	9
CP2408 - CP2508	83	172	9

**4. TECHNICAL CHARACTERISTICS**

■ **4.1 Mechanical characteristics**

Protection against impacts: IK 04

■ **4.2 Material characteristics**

Plate: Stained wood + varnished

Sub-plate: black PC

UV-resistant

Halogen-free

Self-extinguishing: 650°C/30 s

■ **4.3 Climate characteristics**

Storage temperature: - 10°C to + 70°C

Usage temperature: - 5°C to +50°C

## 5. CLEANING

Surface cleaning with a cloth.

Do not use: acetone, tar remover, trichloroethylene.

Resistance to the following products:

Hexane, methylated spirit, soapy water, window-cleaning products.

**Caution:** Always test before using other special cleaning products

No paint should be applied to the plates.

## 6. STANDARDS AND APPROVALS

Compliant with installation and manufacturing standards.

See e-catalogue.