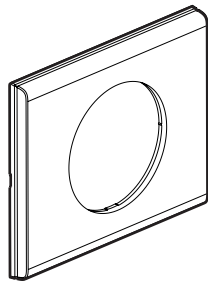
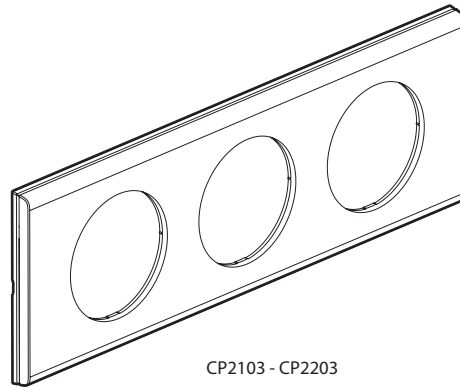


Céliane™
Material plates - metal finish

Cat. No(s): CP2101/02/03/04/08
 CP2201/02/03/04/08



CP2101 - CP2201



CP2103 - CP2203

1. USE

Faceplates for 1-gang to 4-gang wiring accessories.
 Horizontal or vertical mounting.
 Indoor use only.

2. RANGE

1-gang plates

	Satin nickel Satin dark nickel	CP2101 CP2201
--	-----------------------------------	------------------

2-gang plates - Center distance 71 mm

	Satin nickel Satin dark nickel	CP2102 CP2202
--	-----------------------------------	------------------

3-gang plates - Center distance 71 mm

	Satin nickel Satin dark nickel	CP2103 CP2203
--	-----------------------------------	------------------

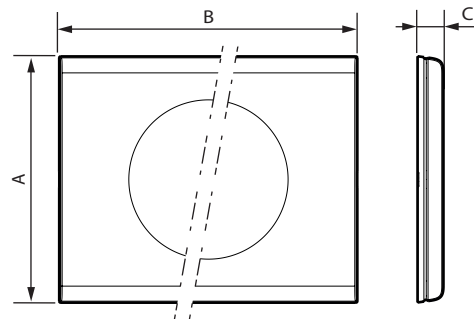
4-gang plates - Center distance 71 mm

	Satin nickel Satin dark nickel	CP2104 CP2204
--	-----------------------------------	------------------

Extended 2-station plates (4/5 modules)

	Satin nickel Satin dark nickel	CP2108 CP2208
--	-----------------------------------	------------------

3. DIMENSIONS (mm)



References	A	B	C
CP2101 - CP2201	83	101	9
CP2102 - CP2202	83	172	9
CP2103 - CP2203	83	243	9
CP2104 - CP2204	83	314	9
CP2108 - CP2208	83	172	9

4. TECHNICAL CHARACTERISTICS

■ **4.1 Mechanical characteristics**

Protection against impacts: IK 04

■ **4.2 Material characteristics**

Plate: Zamac + copper + nickel + matt varnish

Sub-plate: black PC

UV-resistant

Halogen-free

Self-extinguishing: 650°C/30 s

■ **4.3 Climate characteristics**

Storage temperature: - 10°C to + 70°C

Usage temperature: - 5°C to +50°C

5. CLEANING

Surface cleaning with a cloth.

Do not use: acetone, tar remover, trichloroethylene.

Resistance to the following products:

Hexane, methylated spirit, soapy water, window-cleaning products.

Caution: Always test before using other special cleaning products

No paint should be applied to the plates.

6. STANDARDS AND APPROVALS

Compliant with installation and manufacturing standards.

See e-catalogue.